

Innovative, lightweight, portable and very strong, the PORTA-GANTRY lifting system is the number one choice for organizations seeking durable, multiple location lifting solutions and a healthy return on investment.



- Lightweight & portable with easy on site manual assembly:
 - 4 portable parts on just 4 bolts
 - Flat-packed for shipping & storage
 - 360° swivel-locking castors as standard for easy positioning
 - Simple, manual height & span adjustment
 - Secure, captive trolley
 - Bolted structure, lateral beam and leg bracing features allow complete stability for any lifting challenge
 - Total security - type tested at NAMAS accredited laboratories with every system tested at 150% of WLL prior to shipment
 - Ergonomic design of profiles, handles, etc. (A) for secure operation
 - Flexible system configurations WLL 1,100 lb (500 kg) to WLL 11,000 lb (5,000 kg)
 - Variety of standard height configuration plus, customization where required, with interchangeable components (subject to WLL rating)
 - Corrosion resistant, anodized finish - easily cleaned and suitable for "clean room" applications
- For 11,000 lb (5,000 kg) Model Only**
- "Wheel barrow" handling in field with just two people required (A)
 - Stabilizer leg deployment, vertical allows handling by just one person (B)
 - Geared hand-wheel operation of beam height adjustment (C)
 - 11,000 lb (5,000 kg) WLL rating - available in T size plus customization

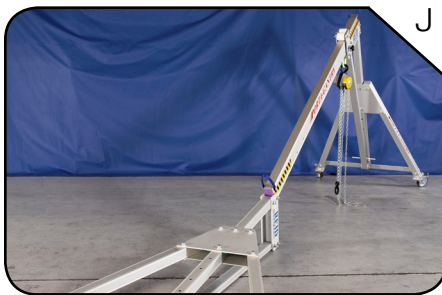
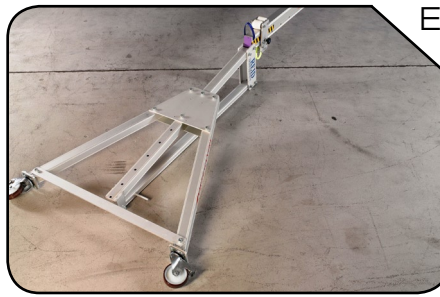
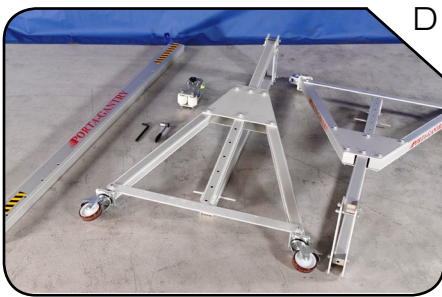
OPTIONS AND ACCESSORIES

- Tool Set
- Multiple Trolleys
- Interchangeable beam lengths

Full Customized & Built to Order Solutions Available

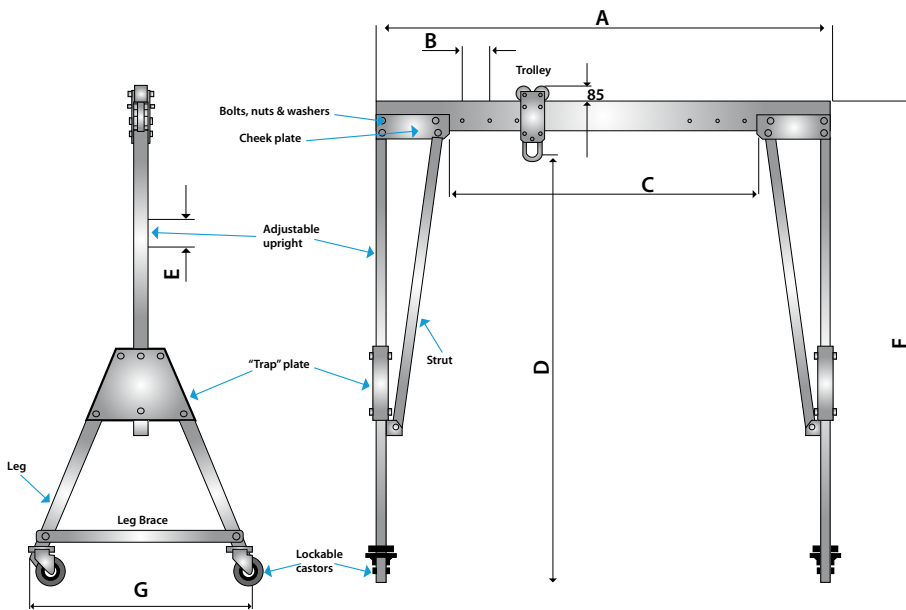
- Trolley control systems
- Pneumatic "All Terrain" casters and Wind Up Jack Legs
- Cantilever counterbalance variants
- Asymmetric configurations

Easy Assembly, Operation and Maintenance (D-L)



REID PORTA-GANTRY STANDARD UNIT DATA SHEET

PG Systems	Capacity	Overall Beam Length (A)	Span Adjustment Increment (B)	Max Working Span (C)	Max Height to Lifting Eye (D)	Min Height to Lifting Eye	Height Adjustment Increment (E)	Max Height to Top of Beam (F)	Max Width Across Legs (G)	Persons to Assemble	Beam Weight	A Frame Weight (pair)	Trolley Weight	Approx. Ship Wt.
		(in) (mm)	(in) (mm)	(in) (mm)	(in) (mm)	(in) (mm)	(in) (mm)	(in) (mm)	(in) (mm)		(lb) (kg)	(lb) (kg)	(lb) (kg)	(lb) (kg)
PGSS00500S-2500	1/2 ton (1100 lb)	98.4 2,500	7.8 200	62.2 1,580	92.9 2,361	63.4 1,611	5.9 150	105.4 2,678	48 1,220	1	40 18	146.0 66.0	16 7.2	503.0 228.0
PGSS00500S-3920		154.3 3,920	7.8 200	118.1 3,000	92.9 2,361	63.4 1,611	5.9 150	105.4 2,678	48 1,220	1	63 29	146.0 66.0	16 7.2	525.0 238.0
PGSS00500S-4570		179.9 4,570	7.8 200	143.7 3,650	92.9 2,361	63.4 1,611	5.9 150	105.4 2,678	48 1,220	1	74 33	146.0 66.0	16 7.2	534.0 242.0
PGSS01000S-2500	1 ton (2200 lb)	98.4 2,500	7.8 200	62.2 1,580	92.9 2,361	63.4 1,611	5.9 150	105.4 2,678	48 1,220	2	40 18	146.0 66.0	16 7.2	503.0 228.0
PGSS01000S-3920		154.3 3,920	7.8 200	118.1 3,000	92.9 2,361	63.4 1,611	5.9 150	105.4 2,678	48 1,220	2	63 29	146.0 66.0	16 7.2	525.0 238.0
PGSS01000S-4570		179.9 4,570	7.8 200	143.7 3,650	92.9 2,361	63.4 1,611	5.9 150	105.4 2,678	48 1,220	2	73 33	146.0 66.0	16 7.2	534.0 242.0
PGSS01000M-2500	1 ton (2200 lb)	98.4 2,500	7.8 200	62.2 1,580	112.3 2,854	82.8 2,104	5.9 150	124.8 3,171	56.2 1,429	2	40 19	176.0 80.0	16 7.2	534.0 242.0
PGSS01000M-3920		154.3 3,920	7.8 200	118.1 3,000	112.3 2,854	82.8 2,104	5.9 150	124.8 3,171	56.2 1,429	2	63 29	176.0 80.0	16 7.2	556.0 252.0
PGSS01000M-4570		179.9 4,570	7.8 200	143.7 3,650	112.3 2,854	82.8 2,104	5.9 150	124.8 3,171	56.2 1,429	2	73 33	176.0 80.0	16 7.2	565.0 256.0
PGSS02000S-2500	2 ton (4400 lb)	98.4 2,500	7.8 200	62.2 1,580	92.9 2,361	63.4 1,611	5.9 150	105.4 2,678	48.0 1,220	2	40 18	168.0 76.0	16 7.2	525.0 238.0
PGSS02000S-3920		154.3 3,920	7.8 200	118.1 3,000	92.9 2,361	63.4 1,611	5.9 150	105.4 2,678	48.0 1,220	2	63 29	168.0 76.0	16 7.2	547.0 248.0
PGSS02000S-4570		179.9 4,570	7.8 200	143.7 3,650	92.9 2,361	63.4 1,611	5.9 150	105.4 2,678	48.0 1,220	2	73 33	168.0 76.0	16 7.2	556.0 252.0
PGSS02000I-2500	2 ton (4400 lb)	98.4 2,500	7.8 200	62.2 1,580	125.9 3,198	86.5 2,198	7.8 200	138.3 3,514	67.9 1,726	2	40 18	203.0 92.0	16 7.2	561.0 254.0
PGSS02000I-3920		154.3 3,920	7.8 200	118.1 3,000	125.9 3,198	86.5 2,198	7.8 200	138.3 3,514	67.9 1,726	2	63 29	203.0 92.0	16 7.2	583.0 264.0
PGSS02000I-4570		179.9 4,570	7.8 200	143.7 3,650	125.9 3,198	86.5 2,198	7.8 200	138.3 3,514	67.9 1,726	2	73 33	203.0 92.0	16 7.2	592.0 269.0
PGSS03000T-2500	3 ton (6600 lb)	98.4 2,500	7.8 200	62.2 1,580	160.9 4,089	113.7 2,889	7.8 200	173.4 4,405	79.1 2,011	3	40 18	362.0 164.0	16 7.2	757.0 343.0
PGSS03000T-4570		179.9 4,570	7.8 200	143.7 3,650	160.9 4,089	113.7 2,889	7.8 200	173.4 4,405	79.1 2,011	3	94 43	362.0 164.0	16 7.2	812.0 368.0
PGSA05000T-4570 ¹	5 ton (11k lb)	179.9 4,570	7.8 200	143.7 3,650	159 4,040	118.8 2,840	7.8 200	176.5 4,485	79.1 2,011	3 - 4	155 70	467.0 ² 212.0	20 9.2	982.0 445.0



NOTE - beam height adjustment:

The height of each gantry beam is easily adjusted by the release of 2 bolts on each upright and can be easily and securely raised into position by increments of 5.91 or 7.87 inches (150 or 200 mm).

To assist with this activity a geared wheel is provided for the larger gantries.

All WLL ratings can be produced in each standard frame size
Custom spans, height and Working Load Limits (WLL) on application

¹ NB. PG5000 beam depth (9.85 in, 250 mm), trolley depth (22.45 in, 570 mm) & trolley top above beam (4.93 in, 125 mm) are larger than the standard beam depth (5.99 in, 152 mm), trolley depth (15.16 in, 385 mm) and trolley top above beam (3.35 in, 85 mm)

² This weight includes the stabilizer leg option

Please note that dimensions may vary marginally

NB. No leg brace fitted on 'S' systems

Castor Dimensions

1100 lb (500 kg) and 2200 lb (1000 kg) Gantry: wheel width 1.6 in (40 mm), diameter 5.9 in (150 mm), height of castor 7.5 (190 mm).

4400 lb (2000 kg), 6600 lb (3000 kg) and 11000 lb (5000 kg): wheel width 2 in (50 mm), diameter 7.9 (200 mm), height 9.6 in (245 mm).