

Technical Data

		WP 1540W	WP 1550W	WP 1540AW/ with wheel kit	WP 1550AW/ with wheel kit
Length x width x height (handle in working position)	in (mm)	34.5 x 15.5 x 38 (875 x 400 x 965)	34.5 x 19.5 x 38 (875 x 500 x 965)	34.5 x 15.5 x 38 (875 x 500 x 965)	34.5 x 19.5 x 38 (875 x 500 x 965)
Lowest working height	in (mm)	20 (510)	20 (510)	20 (510)	20 (510)
Size of baseplate (w x l)	in (mm)	15.5 x 23 (400 x 585)	19.5 x 23 (500 x 585)	15.5 x 23 (400 x 585)	19.5 x 23 (500 x 585)
Operating weight	lb (kg)	190 (86)	194 (88)	190 (86)/195 (88)	194 (88)/199 (90)
Shipping weight	lb (kg)	205 (93)	209 (95)	214 (97)	218 (99)
Shipping size (l x w x h)	in (mm)	33 x 21.3 x 28 (840 x 540 x 705)	33 x 21.5 x 28 (840 x 545 x 705)	33 x 21.5 x 28 (840 x 545 x 705)	33 x 21.5 x 28 (840 x 545 x 705)
Water tank capacity	qt (l)	11 (10.5)	11 (10.5)	11 (10.5)	11 (10.5)
Compacted area	ft ² (m ²)/h	up to 6590 (612)	up to 9750 (905)	up to 6590 (612)	up to 9750 (905)
Forward speed	ft (m)/min	up to 85 (26)	up to 100 (30)	up to 85 (26)	up to 100 (30)
Gradeability	%	up to 30	up to 30	up to 30	up to 30
Vibration frequency	vpm (Hz)	6000 (100)	6000 (100)	6000 (100)	6000 (100)
Centrifugal force	lb (kN)	3375 (15)	3375 (15)	3375 (15)	3375 (15)
Engine type		air-cooled, single cylinder, 4-cycle, gasoline engine			
		Wacker Neuson WM 170	Wacker Neuson WM 170	Honda	Honda
Displacement	in ³ (cm ³)	10.3 (169)	10.3 (169)	9.9 (163)	9.9 (163)
Max. rated power at rated speed	hp (kW) @ rpm	5.7 (4.2) @ 3600	5.7 (4.2) @ 3600	4.8 (3.6) @ 3600	4.8 (3.6) @ 3600
Power rating specification		SAE J1995	SAE J1995	SAE J1349	SAE J1349
Operating speed	rpm	3600	3600	3600	3600
Fuel tank capacity	qt (l)	3.8 (3.6)	3.8 (3.6)	3.9 (3.7)	3.9 (3.7)
Fuel consumption	qt (l)/h	1.6 (1.5)	1.6 (1.5)	1.9 (1.8)	1.9 (1.8)
Power train		Power transmission from engine via centrifugal clutch and V-belt onto exciter which transmits centrifugal force onto baseplate.			

Standard Package

Vibratory Plates

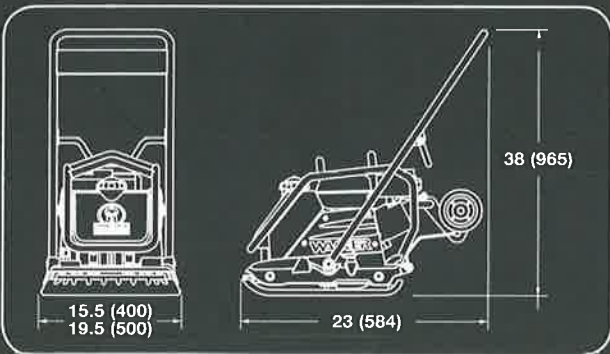
WP 1540W
WP 1550W
WP 1540AW/with wheel kit
WP 1550AW/with wheel kit

includes sprinkling system, operator's manual and parts book. Some models include wheel kit as part of standard package.

Model Guide

WP = Wacker Neuson plate, 15 = Centrifugal force in kN
40 or 50 = Width of baseplate in centimeters
Standard models feature WM 4-cycle engines
A = Honda, W = Water tank

Please refer to our Price List and Ordering Guide for complete accessory information.



Specifications may change due to continuous product development. Users are advised to consult Wacker Neuson's Operator's Manual and website for specific information regarding the engine power rating. Actual power output may vary due to conditions of specific use.