



ENGINE

Model	FPT F4GE9454K
Emissions Certification	Tier 3
Type	4-stroke, Turbocharged
Cylinders	4
Bore/Stroke	4.09 x 5.19 in (104 x 132 mm)
Displacement	274 in ³ (4.5 L)
Fuel injection	Direct mechanical
Fuel	Diesel
Engine speeds*	RPM
Rated speed – full load	2200
Low idle	875 – 1025
High idle – no load	2300 – 2450
Horsepower @ 2200 RPM:	
Gross	85 hp (63 kW)
Net	79 hp (59 kW)
Maximum torque @ 1400 RPM:	
Gross	276 lb-ft (374 N-m)
Net	270 lb-ft (366 N-m)
Torque rise at rated speed	36% +/- 5%
Radiator:	
Core type	Square wave
Core size area	486 in ² (3 145 cm ²)
Rows of tubes	3
Fan:	
Style	7 blade suction
Diameter	19.65 in (499 mm)
Ratio	1.1:1
Pump operating angle ratings:	
Side to side	Rated 35°
Fore and aft	Rated 35°
Oil filtration	Replaceable, full flow spin on

DRIVETRAIN

Transmission – standard:
4F-4R Power Shuttle Synchronesh
Transmission manual gear shift,
fully synchronized

Transmission – optional:
Powershift S-Type, 4F-3R Power Shuttle,
Synchronesh Transmission w/ hydraulic
gear shifting

Specifications below apply to both Power
Shuttle and Powershift S-Type transmission
unless otherwise indicated.

Gear ratios	Forward/Reverse
1st	5.603/4.643
2nd	3.481/2.884
3rd	1.584/1.313
4th	0.793/0.657*

Travel speeds	Forward mph (kph)	Reverse mph (kph)
1st	3.8 (6.1)	4.5 (7.3)
2nd	6.1 (9.8)	7.3 (11.7)
3rd	12.9 (20.8)	15.5 (24.9)
4th	24.3 (39.1)	29.1 (46.9)*

Torque converter ratio	3.2
Differential-lock	On-the-go push-button activation

Front 4WD/Rear axle:	
Differential ratio	2.0/2.5
Planetary hub ratio	6.0/6.4
Total reduction ratio	12.0/16.0

Service brakes:	
Individually applied, power assisted, hydraulically actuated, maintenance-free, self-adjusting, outboard mounted, wet disc, 2 per side.	
Total disc area	384 in ² (0.25 m ²)

Parking brakes	Trans Mounted spring-applied hydraulic release – SAHR
----------------	--

NOTE: *4R not available on Powershift S-Type.
Travel speeds at 2293 engine
RPM specified: w/ 19.5 x 24.0 tires.
Speeds decrease w/ 17.5 L x 24.0 rear tires.

ELECTRICAL

Voltage	12 Volts, negative ground
Alternator	120 amp
Battery	850 cold-cranking amps
Opt. batteries – 2	850 cold-cranking amps
Power plugs – 2	30 amps total

OPERATOR ENVIRONMENT

ROPS/FOPS certified protective canopy;
Anti-vandalism cover for dash – w/ canopy only;
Rear fenders extensions; Coat hook w/ garment
strap; Interior rearview mirror, convex
3.54 in (90 mm) wide x 10.83 in (275 mm) high;
Non-suspension seat – 180° swivel – Vinyl; 2 in
(50 mm) retractable seat belt; Cup holder/storage
tray mounted on left-hand fender; Right-hand
storage compartment w/ lid.

Gauges:
Engine water temperature; Converter oil
temperature; Fuel level; Tachometer/
hourmeter; Voltmeter.

Warning lights:
Air cleaner restriction; Alternator; A/C high
pressure; Cold start; Engine oil pressure
low; Hydraulic oil filter bypass; Parking brake
engagement; Low fuel.

Audible alarms:
Coolant temperature; Engine oil pressure;
Parking brake engagement; Shuttle
engagement/seat position; Backup,
Converter oil temperature.

Horn Dual switched front and rear

OPERATING WEIGHT

Configuration 1 – SAE Transport:

Standard dipper, 82 in (2.08 m) LL bucket,
2WD, 17.5 L x 24.0 rear tires, 24 in Trenching
bucket, standard cast stabilizer pads, ROPS
canopy, vinyl-suspension seat, dual battery,
no operator, fully fueled.

14,564 lb (6 607 kg)

Configuration 2 – SAE Transport:

Extendahoe® dipper, 82 in (2.08 m) bucket,
4WD, 19.5 L x 24.0 rear tires, 24 HD bucket,
flip stabilizer pads, ROPS cab, cloth, air
suspension seat, dual battery, no operator,
backhoe mechanical quick coupler, 1,100 lb
counterweight and 40 gallon plastic fuel tank.
Center of gravity is from the rear axle center:

17,454 lb (7 917 kg)

Add-on weights:

Cab-over canopy	309 lb (140 kg)
Fabricated stabilizer pads	141 lb (64 kg)
Counterweights	700 lb (318 kg)
Extendahoe®	285 lb (129 kg)
4WD w/ driveshaft guard	283 lb (128 kg)

HYDRAULICS

Pump: Parker P330 Single Section Gear Pump	
Main relief pressure: Standard	3,350 +/- 50 psi (231 +/- 3.5 bar)
Filtration: 7-micron, return line, full flow, spin on element, condition indicator light for filter.	
Oil cooler	Heavy-duty
Loader flow @ rated engine RPM: 28.5 gpm @ 3,350 psi (108.0 L/min @ 231 bar)	

Loader control valve:
Two or three-spool open center monoblock valve. Two and three-spool valves have a single lever manual control for lift and tilt functions. Three-spool valve uses a proportional Electro-Hydraulic control for the auxiliary function. The lift lever has a positive hold "Float" position and a "return-to-dig" feature. System Main Relief valve is single stage w/ Manual Backhoe Controls, dual stage relief valve w/ Pilot Backhoe Controls.

Loader auxiliary hydraulics w/ proportional thumb switch w/ detent on loader control handle.

Loader auxiliary hydraulics w/ full available flow:
0 – 28.5 gpm (0 – 108 L/min)

Backhoe flow @ rated engine RPM:
28.5 gpm @ 3,350 psi
(108.0 L/min @ 231 bar)

Manual backhoe control valve:
Six or seven-spool monoblock open center control valve. Features "Pro-Control" which includes custom designed spools for each individual function along w/ "swing cushioning" valve for zero-wag swing control. Basic control valve has an open center parallel circuit for all functions.

Pilot backhoe control valve:
Six, seven or eight-spool sectional closed center control valve. Features "Pro-Control" which includes custom designed spools for each individual function along w/ "swing cushioning" valve for zero-wag swing control. Basic control valve is closed center, w/ circuits in parallel w/ a post-compensated, flow sharing feature for simultaneous operation of all circuits.

Unidirectional auxiliary hydraulics:
Unidirectional hydraulic valve is equipped w/ an adjustable LS relief valve to control attachment pressure and a 6 position flow control selector for 6 detented, distinct flow settings.

Actuation:
Manual backhoe controls – cab floor pedal
Pilot controls – left-hand joystick

Bidirectional auxiliary hydraulics*:
Actuation:
Activate the bidirectional Switch located on the rear console
Manual shift – bidirectional linkage on far right of backhoe tower
Pilot controls – left-hand joystick.

NOTE: *Available w/ Combo Aux. Hyd. option.

SERVICE CAPACITIES

Fuel tank	42.0 gal (159.0 L)
Hydraulic system:	
Total	112 qt (106.0 L)
w/ Extendahoe®	118 qt (111.7 L)
Reservoir w/ filter	58 qt (55.0 L)
Reservoir w/o filter	56 qt (53.0 L)
Transmission – total system:	
2WD Standard	18 qt (17.0 L)
2WD Powershift	23 qt (21.7 L)
4WD Standard	21 qt (19.4 L)
4WD Powershift	22 qt (20.7 L)

Front axle:	
4WD Differential	8.1 qt (7.7 L)
4WD Planetaries – each	0.5 qt (0.5 L)
Rear axle:	
Differential and planetaries	14.4 qt (13.6 L)
Engine oil w/ filter	14.4 qt (13.6 L)
Cooling system:	
w/ heater	17.8 qt (16.8 L)
w/o heater	17.0 qt (16.1 L)
Window washer reservoir	3.0 qt (2.8 L)

OTHER SPECIFICATIONS

Front tires:	
2WD	11.0 L x 16.0, 10-ply rating
4WD	12.0 L x 16.5, 8-ply rating
Rear tires:	
2/4WD	19.5 L x 24.0, 10-ply rating
2/4WD	17.5 L x 24.0, 10-ply rating

Loader:
Bucket position indicator; Lifting lugs on standard bucket; Single lever control w/ self-leveling and return-to-dig; Hand operated clutch disconnects on loader and shift levers, single lever 4-function loader control: lift, dump, clutch cut-out, differential lock.

Turning radius: Curb to Curb

2WD:	
Brakes on	10 ft 8 in (3.24 m)
Brakes off	12 ft 4 in (3.79 m)
4WD – engaged:	
Brakes on	11 ft 4 in (3.45 m)
Brakes off	13 ft 10 in (4.21 m)
4WD – disengaged:	
Brakes on	11 ft 0 in (3.36 m)
Brakes off	12 ft 3 in (3.72 m)

Backhoe:
Over center design, Fabricated "S" boom;
Open-center hydraulics – Pro Control System.

NOTE: Turning radius dimensions curb to curb w/ 17.5 L x 24.0 rear tires.

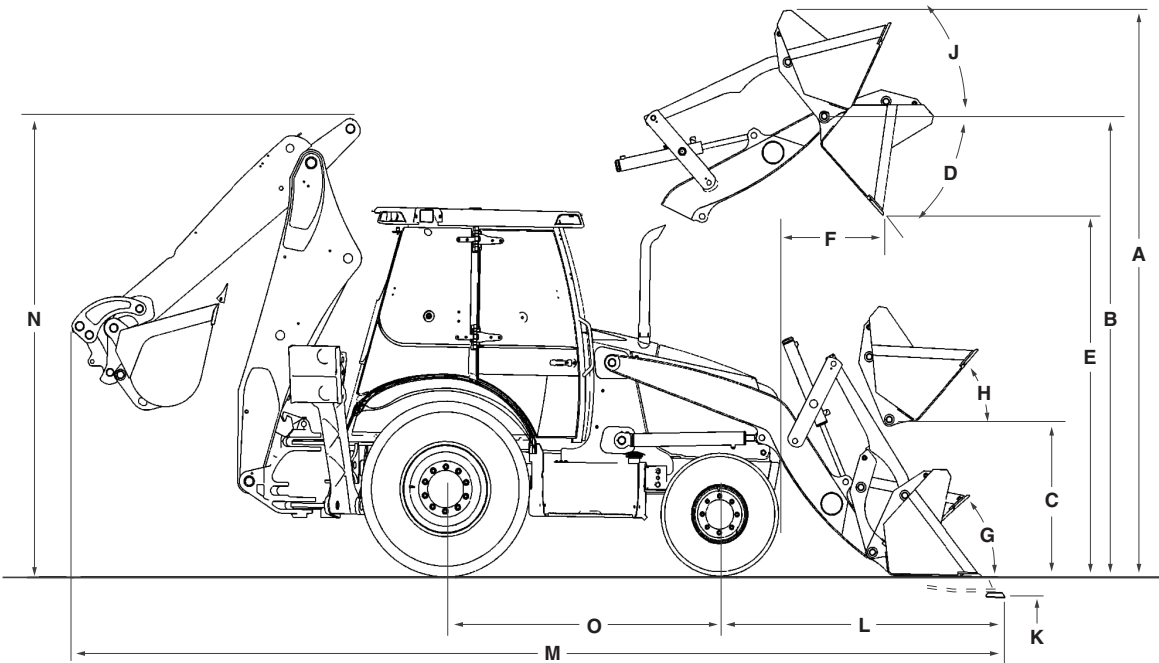
LOADER BUCKET SIZES

Type	Width	Weight	Struck	Heaped Capacity
Long Lip Bucket without bolt-on edge	82 in (2.08 m)	683 lb (310 kg)	0.88 yd ³ (0.67 m ³)	1.03 yd ³ (0.79 m ³)
	93 in (2.36 m)	1,188 lb* (539 kg)	1.10 yd ³ (0.84 m ³)	1.29 yd ³ (0.99 m ³)
4 IN 1® Bucket with bolt-on edge	82 in (2.08 m)	1,572 lb* (713 kg)	0.85 yd ³ (0.65 m ³)	1.05 yd ³ (0.80 m ³)

NOTE: *Weight of 4 IN 1® bucket includes edges, cylinders and tube lines.

BACKHOE BUCKET SIZES

Type	Width	Weight	Heaped Capacity
General Purpose Trenching Buckets	18 in (457 mm)	232 lb (105 kg)	4.70 ft ³ (0.13 m ³)
	24 in (610 mm)	272 lb (123 kg)	6.26 ft ³ (0.18 m ³)
Universal Buckets	12 in (305 mm)	295 lb (134 kg)	3.40 ft ³ (0.10 m ³)
	18 in (457 mm)	356 lb (162 kg)	5.30 ft ³ (0.15 m ³)
	24 in (610 mm)	427 lb (194 kg)	7.70 ft ³ (0.22 m ³)
	30 in (762 mm)	489 lb (222 kg)	10.20 ft ³ (0.29 m ³)
	36 in (914 mm)	552 lb (251 kg)	12.70 ft ³ (0.36 m ³)
High Capacity Buckets	24 in (610 mm)	447 lb (203 kg)	8.50 ft ³ (0.24 m ³)



Line drawings are for illustrative purpose only and may not be exact representation of unit.

LOADER DIMENSIONS

	Long Lip Bucket	4 IN 1® Bucket
A. Overall operating height – fully raised	13 ft 9 in (4.18 m)	13 ft 8 in (4.16 m)
Height to:		
B. Bucket hinge pin fully raised	11 ft 3 in (3.42 m)	11 ft 3 in (3.42 m)
C. Bucket hinge pin at SAE carry	13.6 in (345 mm)	13.6 in (345 mm)
D. Dump angle at full height	47°	47°
E. Dump clearance at full height, 45° dump:		
Bucket	8 ft 10 in (2.69 m)	8 ft 11 in (2.71 m)
Clam open	–	9 ft 8 in (2.96 m)
F. Dump reach at full height, 45° dump – from bumper:		
Bucket	31.5 in (801 mm)	29.1 in (738 mm)
Clam open	–	15.3 in (388 mm)
Bucket rollback:		
G. @ Groundline	42°	42°
H. @ SAE carry	42°	42°
J. @ Full height	Adjustable	Adjustable
K. Digging depth below grade:		
Bucket flat	6.1 in (155 mm)	4.8 in (122 mm)
Clam open – dozing	–	4.1 in (103 mm)
L. Reach from front axle centerline – bucket on ground	6 ft 1 in (2.08 m)	6 ft 1 in (2.03 m)
Lift capacity to full height – calculated values	6,803 lb (3 086 kg)	6,459 lb (2 930 kg)
Breakout force:		
Lift cylinders	9,506 lb (3 086 daN)	9,276 lb (4 207 daN)
Dump cylinders	10,622 lb (4 818 daN)	11,312 lb (5 131 daN)
Bucket cutting edge width	82.5 in (2.09 m)	82.0 in (2.08 m)
Maximum grading angle	114°	114°
Maximum clam opening	–	38.3 in (972 mm)
Moldboard height	–	36.8 in (934 mm)
Raising time to full height	4.6 sec	4.6 sec
Bucket dumping time	1.1 sec	1.1 sec
Lowering time:		
Power down	2.6 sec	2.6 sec
Return-to-dig	3.6 sec	3.6 sec
Clam:		
Open time	–	1.0 sec
Close time	–	1.0 sec

NOTE: Loader dimensions taken with 4WD, 19.5 L x 24.0 rear tires.

DIMENSIONS

	2WD with 19.5 L x 24.0 tires	4WD with 19.5 L x 24.0 tires
M. Overall transport length:		
Long Lip bucket with Quick Coupler	23 ft 5 in (7.14 m)	23 ft 4 in (7.10 m)
4 IN 1® bucket with Quick Coupler	23 ft 3 in (7.07 m)	23 ft 1 in (7.04 m)
Long Lip bucket with Straight Links	23 ft 6 in (7.15 m)	23 ft 4 in (7.12 m)
4 IN 1® bucket with Straight Links	23 ft 3 in (7.09 m)	23 ft 2 in (7.06 m)
Overall transport width – rear tires	6 ft 10 in (2.07 m)	6 ft 10 in (2.07 m)
Height:		
To top of canopy	8 ft 9 in (2.66 m)	8 ft 9 in (2.66 m)
To top of cab	8 ft 11 in (2.72 m)	8 ft 11 in (2.72 m)
To top of exhaust stack	8 ft 7 in (2.62 m)	8 ft 7 in (2.61 m)
N. Transport	10 ft 10 in (3.30 m)	11 ft 1 in (3.37 m)
Ground clearance at backhoe frame	15.0 in (380 mm)	15.0 in (380 mm)
Angle of departure	15.3°	19.0°
Front wheel tread:		
11.0 L x 16.0	67.5 in (1.71 m)	67.5 in (1.71 m)
12.0 x 16.5	67.7 in (1.72 m)	67.7 in (1.72 m)
Rear wheel tread:		
17.5 L x 24.0	63.1 in (1.60 m)	63.1 in (1.60 m)
19.5 L x 24.0	61.2 in (1.55 m)	61.2 in (1.55 m)
Width over tires:		
11.0 L x 16.0	79.3 in (2.01 m)	79.3 in (2.01 m)
12.0 L x 16.5	81.1 in (2.06 m)	81.1 in (2.06 m)
17.5 L x 24.0	81.7 in (2.07 m)	81.7 in (2.07 m)
19.5 L x 24.0	81.4 in (2.07 m)	81.4 in (2.07 m)
O. Wheelbase	84.0 in (2.13 m)	84.5 in (2.15 m)

CYLINDERS

	Bore Diameter	Rod Diameter	Stroke	Closed Length
Loader:				
Lift – 2	3.25 in (82.6 mm)	1.75 in (44.5 mm)	28.86 in (733.0 mm)	41.81 in (1 062.0 mm)
Dump – 2	3.00 in (76.2 mm)	1.50 in (38.1 mm)	20.33 in (516.5 mm)	30.31 in (769.9 mm)
4 IN 1® clam – 2	3.00 in (76.2 mm)	1.75 in (44.5 mm)	9.08 in (230.6 mm)	19.62 in (498.3 mm)
Backhoe:				
Boom	4.50 in (114.3 mm)	2.25 in (57.2 mm)	38.22 in (971.5 mm)	52.82 in (1 341.6 mm)
Dipperstick	4.25 in (108.0 mm)	2.25 in (57.2 mm)	24.14 in (628.5 mm)	39.65 in (1 007.0 mm)
Bucket	3.25 in (82.6 mm)	2.25 in (57.2 mm)	35.35 in (897.9 mm)	48.17 in (1 223.6 mm)
Extendahoe®	3.00 in (76.2 mm)	1.75 in (44.5 mm)	42.05 in (1 068.0 mm)	56.22 in (1 428.0 mm)
Swing – 2	3.75 in (95.3 mm)	2.00 in (50.8 mm)	11.50 in (292.0 mm)	24.44 in (620.8 mm)
Stabilizer – 2	4.25 in (108.0 mm)	2.25 in (57.2 mm)	21.37 in (542.9 mm)	33.87 in (860.2 mm)

AXLE RATINGS

	Front – 2WD	Rear	Front – 4WD
Maximum static	70,821 lb (32 124 kg)	90,145 lb (40 889 kg)	64,613 lb (29 308 kg)
Dynamic operating	44,261 lb (20 076 kg)	56,200 lb (25 492 kg)	39,328 lb (17 839 kg)
Static operating	17,704 lb (8 030 kg)	22,480 lb (10 197 kg)	15,732 lb (7 136 kg)
Oscillation – front axle	22° total – 11° side to side	–	22° total – 11° side to side

BACKHOE LIFT CAPACITIES

Standard Backhoe		Extendahoe®	
Boom Lift	Lift Capacity lb (kg)	Retracted Lift Capacity lb (kg)	Extended Lift Capacity lb (kg)
+16 ft (4.87 m)	—	—	1,693 (768)
+14 ft (4.27 m)	2,472 (1 121)	2,271 (1 030)	1,979 (897)
+12 ft (3.66 m)	2,857 (1 296)	2,644 (1 199)	2,124 (964)
+10 ft (3.05 m)	2,966 (1 345)	2,748 (1 246)	2,172 (985)
+8 ft (2.44 m)	2,983 (1 353)	2,761 (1 252)	2,169 (984)
+6 ft (1.83 m)	2,963 (1 344)	2,739 (1 242)	2,173 (985)
+4 ft (1.22 m)	2,929 (1 329)	2,701 (1 225)	2,165 (982)
+2 ft (0.61 m)	2,892 (1 312)	2,662 (1 207)	2,153 (977)
Ground Level	2,858 (1 297)	2,625 (1 191)	2,153 (977)
-2 ft (0.61 m)	2,834 (1 285)	2,598 (1 178)	2,145 (973)
-4 ft (1.22 m)	2,827 (1 282)	2,588 (1 174)	2,143 (972)
-6 ft (1.83 m)	2,853 (1 294)	2,609 (1 183)	2,154 (977)
-8 ft (2.44 m)	2,949 (1 338)	2,698 (1 224)	2,189 (993)
-10 ft (3.05 m)	3,319 (1 506)	3,053 (1 385)	2,270 (1 030)
-12 ft (3.66 m)	—	—	2,429 (1 102)
-14 ft (4.27 m)	—	—	3,115 (1 413)
Dipper Lift			
+14 ft (4.27 m)	—	—	3,154 (1 431)
+12 ft (3.66 m)	4,343 (1 970)	4,139 (1 877)	2,981 (1 352)
+10 ft (3.05 m)	4,027 (1 827)	3,826 (1 735)	2,823 (1 281)
+8 ft (2.44 m)	4,112 (1 865)	3,910 (1 774)	2,855 (1 295)
+6 ft (1.83 m)	4,563 (2 070)	4,357 (1 976)	3,010 (1 365)
+4 ft (1.22 m)	5,398 (2 449)	5,177 (2 348)	2,948 (1 337)

BACKHOE OPERATIONAL DATA

Standard Backhoe		Extendahoe®	
		Retracted	Extended
Digging depth:			
Maximum	14 ft 9 in (4.50 m)	14 ft 9 in (4.50 m)	18 ft 3 in (5.55 m)
2 ft (610 mm) flat bottom	14 ft 8 in (4.46 m)	14 ft 8 in (4.46 m)	18 ft 4 in (5.59 m)
8 ft (2.44 m) flat bottom	13 ft 8 in (4.16 m)	13 ft 8 in (4.16 m)	17 ft 4 in (5.29 m)
Overall reach from:			
Rear axle centerline	21 ft 11 in (6.68 m)	21 ft 11 in (6.68 m)	25 ft 4 in (7.72 m)
Swing pivot	18 ft 4 in (5.57 m)	18 ft 4 in (5.57 m)	21 ft 8 in (6.60 m)
Loading height	11 ft 9 in (3.59 m)	11 ft 9 in (3.59 m)	14 ft 1 in (4.30 m)
Loading reach – dipper retracted	6 ft 9 in (2.04 m)	6 ft 9 in (2.04 m)	9 ft 4 in (2.84 m)
Swing arc	180°	180°	180°
Bucket rotation:			
Straight links	175.6°	175.6°	175.6°
Mechanical coupler	198.0°	198.0°	198.0°
Stabilizer spread – centers:			
Flip pad	9 ft 5 in (2.87 m)	9 ft 5 in (2.87 m)	9 ft 5 in (2.87 m)
Cast Pad	9 ft 9 in (2.97 m)	9 ft 9 in (2.97 m)	9 ft 9 in (2.97 m)
Digging force:			
Bucket cylinder	11,334 lb (50 414 N)	11,334 lb (50 414 N)	11,334 lb (50 414 N)
Dipper cylinder	6,710 lb (29 484 N)	6,710 lb (29 484 N)	4,887 lb (21 738 N)
Leveling angle:			
Flip pad	12.8°	12.8°	12.8°
Cast pad	13.8°	13.8°	13.8°

STANDARD EQUIPMENT

OPERATOR ENVIRONMENT

See page 1

ENGINE

FPT F4GE9454K diesel
Full flow engine oil filter
Air cleaner – replaceable dry type
with radial seal
Aspirated air cleaner
Muffler, non spark arresting
Radiator with de-aeration bottle
Antifreeze to -34° F (-37° C)
Throttles, both hand and foot
Self adjusting belt
Inline fuel strainer

DRIVETRAIN

Front axle:
2WD heavy-duty front axle with
11.0 L x 16.0 tires
4WD heavy-duty mechanically driven front
axle, with 12.0 L x 16.5 tires and drive
shaft guard
Rear axle:
2/4WD heavy-duty outboard planetary drive,
with 17.5 L x 24.0 tires
Standard Powershuttle, 4F-4R Power Shuttle
Synchronmesh transmission
Torque converter – 11.8 in (300 mm)
On-the-go electric 4WD control
Electric F/R shuttle control
Electric differential lock control,
with push-button activation on
the loader control lever
Park brake, spring-applied, hydraulic release

HYDRAULICS

Gear pump:
28.5 gal/min @ 3,350 psi
(107.9 L/min @ 231 bar)
Heavy-duty hydraulic oil cooler
7-micron, spin on oil filter

LOADER

See page 2

BACKHOE

See page 2

OTHER

Forward tilt engine hood
Replaceable, molded front bumpers
Front/Rear tie downs
Reflective logos
Lights – cab and canopy:
2 front driving
2 rear tail/stop
2 front flashers/turn
2 rear flashers/turn
Lights – cab only:
Adjustable halogen work lights – 55 W:
2 front
2 side – left and right
4 rear
Lights – canopy only:
Adjustable halogen work lights – 55 W:
2 side – left and right
2 rear

OPTIONAL EQUIPMENT

OPERATOR ENVIRONMENT

Ride Control
Comfort Steering with momentary latching switch, two-speed steering pump and 3rd/4th gear cutout
ROPS/FOPS certified protective cab with rear wipers and floor mat
Cab Convenience Package containing pull-down sun visor, window washer – front and rear, left-hand storage tray, deluxe interior package, tilt steering column, Sound Reduction Package for cab models – levels reduced to 72 dB (A), right-hand threshold storage box
Air-conditioning for cab models
Mechanical suspension seat with flip-up armrests, 180° swivel, cloth or vinyl, adjustable seat and weight, backrest angle, lumbar and cushion angle
Air Ride suspension seat with flip-up armrests, 180° swivel, electric height adjustment, adjustable backrest and lumbar support – cab units cloth, canopy units vinyl
Pull-down sun visor for canopy models
Radio, AM/FM Stereo/WB, MP3 auxiliary input – cab models
3 in (75 mm) seat belt for mechanical and air-suspension seat

ENGINE

Cold Weather Starting Aid – grid heater with dual 12 Volt batteries

DRIVETRAIN

Powershift S-Type transmission, 4F-3R fully synchronized, electronic transmission controller and kick down in loader control lever – 2WD or 4WD
Heavy-duty outboard planetary drive without 19.5 L x 24.0 tires

LOADER

Auxiliary hydraulics for loader-mounted equipment with thumb-operated proportional control
Hydraulic front quick coupler
Loader linkage without loader bucket
Tool portfolio of additional attachments
Buckets – see page 2

BACKHOE

Auxiliary backhoe unidirectional hydraulics
Auxiliary backhoe combo hydraulics:
Hand lever operated for manual controls
Button operated for pilot controls, includes unidirectional and bidirectional
Auxiliary hydraulics with flow from 0 to 28 gal/min (0 to 106 L/min)
Extendahoe®
Two-lever controls - backhoe or Extendahoe®

Pilot operated control system:
Fingertip proportional Electro-Hydraulic stabilizer controls
Thumb-operated proportional Electro-Hydraulic Extendahoe® control
Thumb-operated horn button
Thumb-operated auxiliary hydraulic control
Infinitely adjustable towers
In-cab switchable “excavator to backhoe” control pattern change
Flip-over stabilizer pads
Cemetery
Case mechanical quick coupler
Buckets – see page 2

OTHER

Front:
11.0 x 16.0 10-ply or 12.0 x 16.5 8-ply
Rear:
17.5 L x 24.0 10-ply or 19.5 L x 24.0 10-ply
Special paint
Canopy lights – Additional 2 front and 2 rear halogen lights – 55 W
Tool box – bolt-on, step-mounted
Front counterweights:
700 lb and 1,100 lb (318 kg and 500 kg)
Rotating beacon
Master disconnect switch and remote jump-start terminals

CaseCE.com

©2016 CNH Industrial America LLC. All rights reserved. CASE is a trademark registered in the United States and many other countries, owned by or licensed to CNH Industrial N.V., its subsidiaries or affiliates. CNH Industrial Capital is a trademark in the United States and many other countries, owned by or licensed to CNH Industrial N.V., its subsidiaries or affiliates. Printed in U.S.A. Contains 10% post-consumer fiber.

IMPORTANT: CASE Construction Equipment Inc. reserves the right to change these specifications without notice and without incurring any obligation relating to such change. Availability of some models and equipment builds vary according to the country in which the equipment is used. The illustrations and text may include optional equipment and accessories and may not include all standard equipment. Your CASE dealer/distributor will be able to give you details of the products and their specifications available in your area.



CASE Construction Equipment is biodiesel-friendly. NOTE: All engines meet current EPA emissions regulations. All specifications are stated in accordance with SAE Standards or Recommended Practices, where applicable.



Always read the Operator's Manual before operating any equipment. Inspect equipment before using it, and be sure it is operating properly. Follow the product safety signs and use any safety features provided.

Form No. CCE201603580NT3
Replaces Form No. CCE201506580NT3

580N

7 of 7