

SPECIFICATIONS

Table 1. Pump Specifications	
Maximum Pumping Capacity	1,190 gpm (4,505 lpm)
Maximum Suction Lift *	25 ft. (7.6 m)
Maximum Total Head	111 ft. (33.8 m)
Maximum Pressure	48 psi (331 kPa)
Maximum Solids	3 in. (76 mm)
Suction and Discharge Diameter	6 in. (152 mm)
Dry Net Weight **	1,700 lb. (771.1 kg)

* Based on pump operation at sea level. Maximum suction lift will be reduced at higher altitudes.

** Trailer-mounted.

Table 2. Engine Specifications	
Engine Make	Kohler
Engine Model	KDW1404-5010
Engine Type	Liquid-cooled, diesel engine
Number of Cylinders	4
Displacement	83.72 in. ³ (1,372 cm ³)
Bore × Stroke	2.95 in. × 3.10 in. (75 mm × 78 mm)
Max. Output	35.2 hp (26 kW) @ 2700 rpm
Max. Torque	8.57 kg/84 N·m (62 ft-lb.) @ 2000 rpm
Oil Type	SAE 15W-40 API service CD, CH, CI-4/SL
Oil Capacity	3.2 quarts (3.0 liters)
Lubricating System	Full pressure with full-flow filter
Fuel Type	ASTM D-975 1D or 2D, EN590, or equivalent diesel fuel
Fuel Capacity (Skid)	16 gal. (60.6 liters)
Fuel Capacity (Trailer)	28 gal. (106 liters)
Starting Method	12 VDC Electric start
Dimensions (L x W x H)	23.4 in. x 17.3 in. x 20.3 in. (593 mm x 439 mm x 516 mm)
Dry Net Weight	216 lb. (98 kg)

SPECIFICATIONS

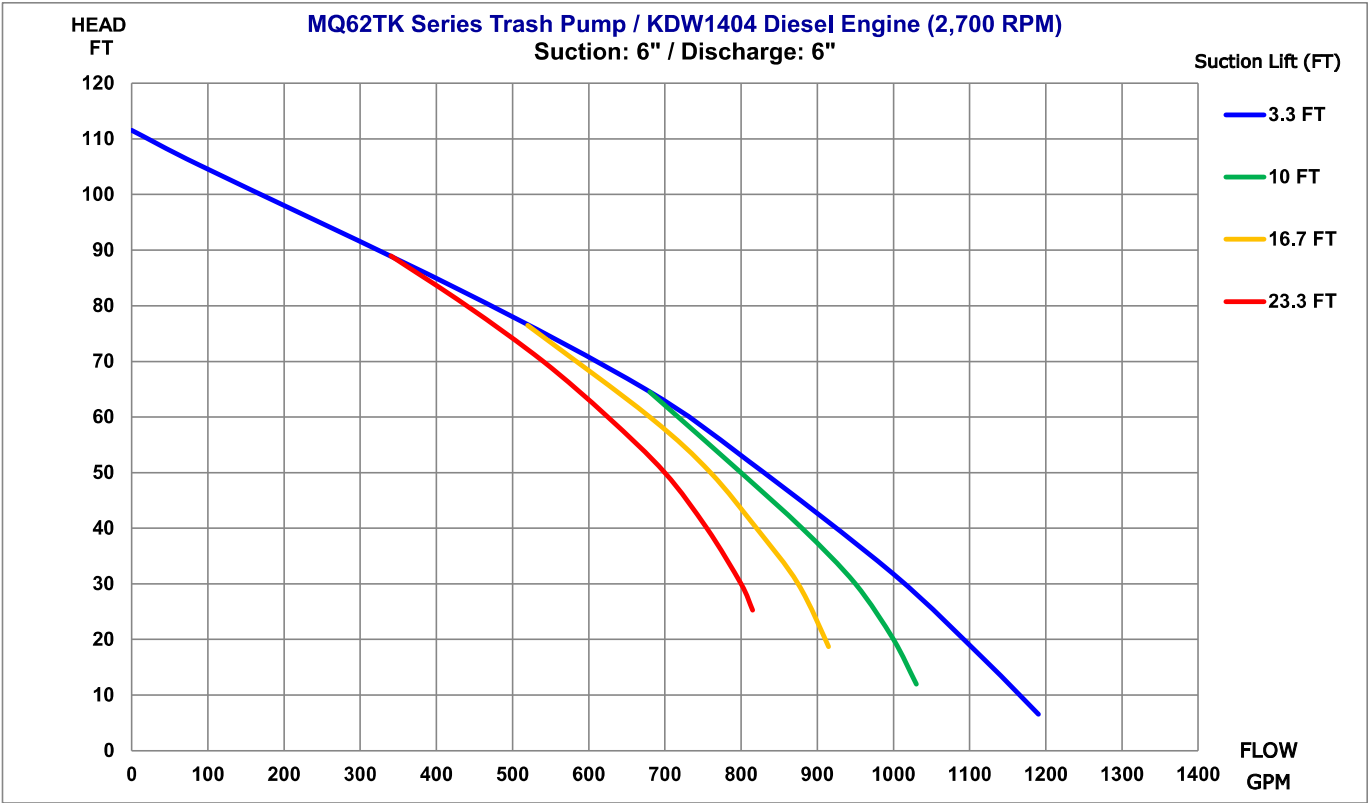


Figure 1. MQ62TK Series Performance Curve

DIMENSIONS

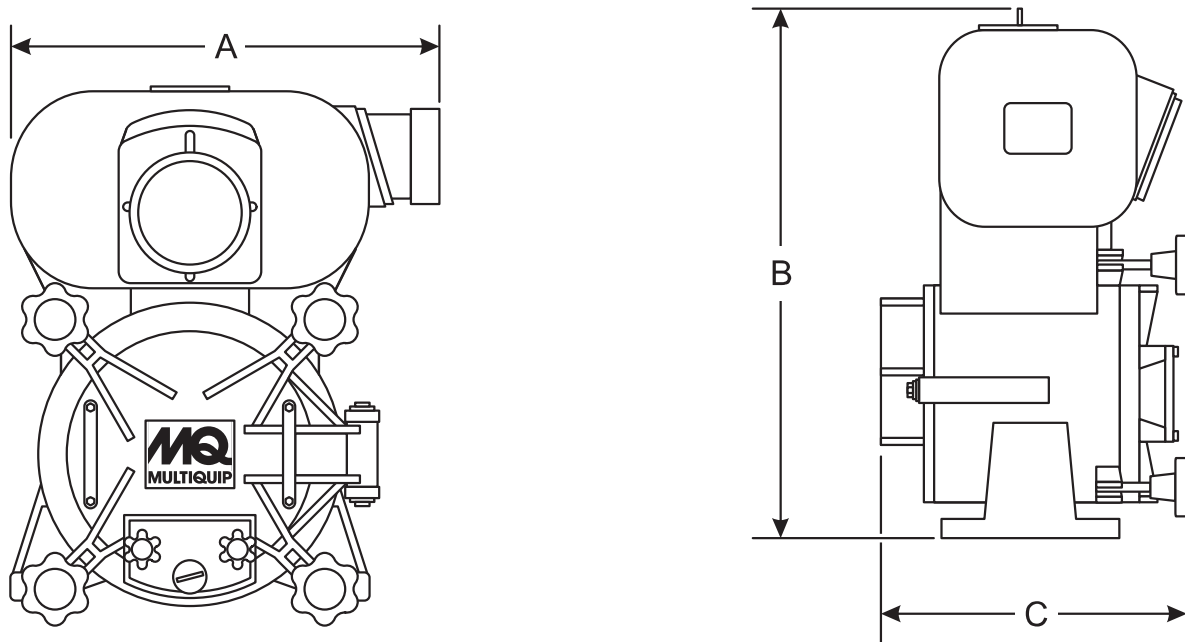


Figure 2. Pump Dimensions

Table 3. Dimensions	
Reference Letter	Dimension in. (mm)
A	29.5 (749)
B	34.5 (876)
C	19.8 (502)
D	67.5 (1,715)
E	55.3 (1,403)
F	54.5 (1,384)
G	21.5 (546)
H	100.5 (2,553)
I	50 (1,270)
J	22.5 (572)
K	7 (178)
L	43.5 (1,105)
M	58.8 (1,492)
N	30 (762)

DIMENSIONS

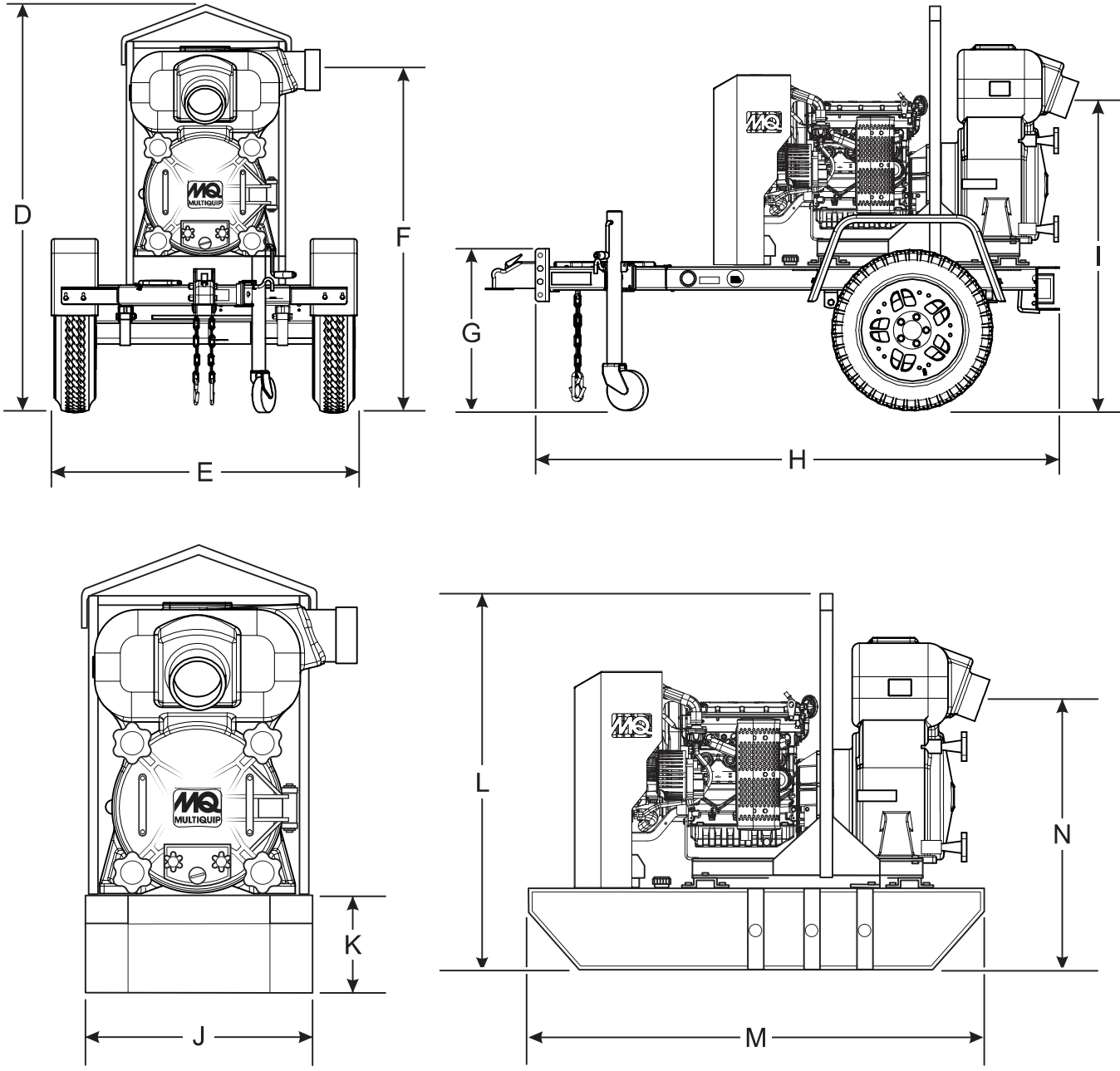


Figure 3. Trailer and Skid Mount Dimensions