

High Flow Particulate Filters



FEATURES

- 40 micron sintered bronze element offers depth filtration. High strength, recleanable.
- Metal bowl is standard with liquid level sight
- Manual 1/8" NPT twist drain

OPTIONS

add suffix to part number in alpha and numeric order

D Differential pressure gauge . F329-10DW Float Drain

An internal float rises as condensate accumulates in a filter bowl to activate the drain.

F Internal float drain F329-08FW Overnight Drains

An overnight drain operates when a compressed air system is shut down. It clears accumulated condensate from a filter bowl when pressure falls to 3 psig or less.

K Overnight drain for metal bowl F329-08KW Twist to manually drain

- 5 5 micron element F329-08W5
- 3 3 micron absolute element. . F329-08W3

For Metal Bowl without sight delete W

SPECIFICATIONS

Metal Bowl

- Steel, black E coated
- Max. supply pressure 250 psig
- Operating temperature range 40°F to 160°F

Metal Bowl with sight

- Steel, black E coated
- Max. supply pressure 250 psig
- Operating temperature range 40°F to 160°F

Internal Float Drain

- Buna N float
- Operating pressure range 30 to 175 psig
- Operating temperature range 40°F to 120°F

Body black E coated aluminum

Baffle plastic

Seals Buna N

Vane aluminum

Elements

- 40 micron sintered bronze
- 5 micron sintered bronze
- 3 micron absolute pleated fiber

KITS

- Internal float drain 5200

Bowl Kits

- Metal with sight BKF329W
- Metal without sight BKF329M

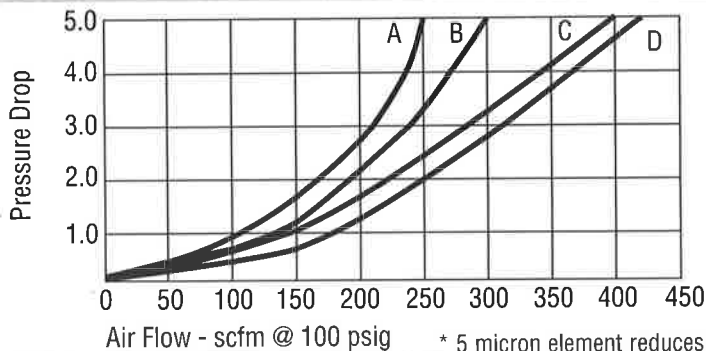
Element Kits

- 40 micron EKF329
- 5 micron. EKF329-5
- 3 micron absolute. EKF329-3

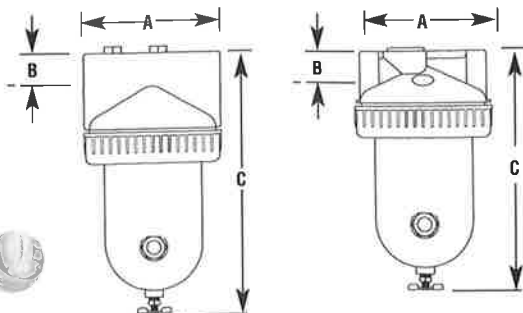
Repair Kits

- Repair kit RKF329
- Replacement sight kit WK35

PERFORMANCE CHARACTERISTICS



- A. F329-06
- B. F329-08
- C. F329-10
- D. F329-12



F329-10W, F329-12W

F329-06W, F329-08W

DIMENSIONS

PIPE SIZE	MODEL NO.	MAX. FLOW SCFM*	BOWL CAPACITY	DIMENSIONS (INCHES)			WEIGHT (LBS.)
				A	B	C	
3/4"	F329-06W	260	29 oz.	5 ⁵ / ₃₂	1 ³ / ₁₆	9 ¹³ / ₃₂	3.7
1"	F329-08W	300	29 oz.	5 ⁵ / ₃₂	1 ⁵ / ₁₆	9 ¹³ / ₃₂	3.7
1 1/4"	F329-10W	400	29 oz.	5 1/4	1 1/2	10 ¹¹ / ₃₂	6.3
1 1/2"	F329-12W	425	29 oz.	5 1/4	1 1/2	10 ¹¹ / ₃₂	6.3

* Flow scfm based on 5.0 psi Δ p @ 100 psig inlet.