

Technical Data		BPU 2540	BPU 2540A	BPU 3050	BPU 3050A	DPU 3050H
Operating weight	lb (kg)	309 (140,0)	309 (140,0)	366 (166,0)	366 (166,0)	385.8 (175)
Shipping weight (including packaging)	lb (kg)	344 (156,0)	344 (156,0)	398 (180,5)	398 (180,5)	430.1 (195)
Operating width	in (mm)	15.8 (400)	15.8 (400)	19.7 (500)	19.7 (500)	19.7 (500)
Machine height	in (mm)	25.5 (647)	25.5 (647)	27.4 (697)	27.4 (697)	29.8 (758)
Operating height (adjustable guide handle)	in (mm)	31.5 - 45.0 (800 - 1143)	31.5 - 45.0 (800 - 1143)	31.5 - 45.0 (800 - 1143)	31.5 - 45.0 (800 - 1143)	31.5 - 45.0 (800 - 1143)
Shipping size (l x w x h)	in (mm)	29.9 x 18.5 x 50.8 (760 x 470 x 1290)	29.9 x 18.5 x 50.8 (760 x 470 x 1290)	30.1 x 22.4 x 51.4 (765 x 570 x 1305)	30.1 x 22.4 x 51.4 (765 x 570 x 1305)	29.9 x 22.8 x 51.2 (760 x 580 x 1300)
Base plate thickness	in (mm)	0.4 (10)	0.4 (10)	0.4 (10)	0.4 (10)	0.4 (10)
Centrifugal force	lb (kN)	5,625 (25)	5,625 (25)	6,750 (30)	6,750 (30)	6,750 (30)
Frequency	vpm (l/z)	5,400 (90)	5,400 (90)	5,400 (90)	5,400 (90)	5,400 (90)
Max. forward & reverse travel (depending on soil)	ft/min (m/min)	68.9 (21)	68.9 (21)	68.9 (21)	68.9 (21)	68.9 (21)
Max. compacted area (depending on soil)	ft ² /h (m ² /h)	5,425 (504)	5,425 (504)	6,781 (630)	6,781 (630)	6,781 (630)
Max. gradeability (depending on soil)	%	30	30	30	30	30
Drive engine	air-cooled single cylinder 4-cycle engine					
Manufacturer		Wacker Neuson gasoline	Honda gasoline	Wacker Neuson gasoline	Honda gasoline	Hatz diesel
Model		WM 170	GX 160	WM 270	GX 270	1B30
Max. power output at speed (DIN ISO 3046)	hp (kW) rpm	5.8 (4,2) 4,000	5.5 (4,0) 3,600	9.0 (6,6) 4,000	9.0 (6,6) 3,600	6.8 (5,0) 3,600
Rated power output at speed (DIN ISO 3046)	hp (kW) rpm	2.0 (1,5) 2,800	2.0 (1,5) 2,800	2.6 (1,9) 2,800	2.6 (1,9) 2,800	2.55 (1,9) 2,800
Fuel consumption	qt/h (l/h)	0.9 (0,8)	0.9 (0,8)	1.2 (1,1)	1.2 (1,1)	0.63 (0,6)
Tank capacity (fuel)	qt (l)	3.8 (3,6)	3.9 (3,7)	6.5 (6,1)	5.3 (5,0)	5.29 (5,0)
Max. allowable tilt	°	25	20	25	19	25
Power transmission	from drive engine via centrifugal clutch and V-belt directly to exciter					

Standard Package

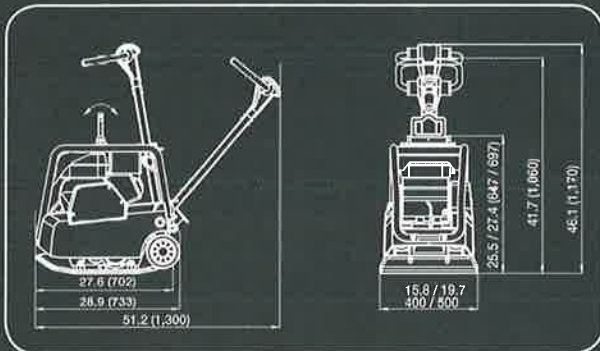
Vibratory Plates
BPU 2540
BPU 2540A
BPU 3050
BPU 3050A
DPU 3050H

includes operator's manual and parts book

Model Guide

B = Gasoline D = Diesel
P = Plate 25/30 = Centrifugal force (kN)
U = Reversible 40/50 = Width (cm)
A = Honda engine H = Hatz

Please refer to our Price List and Ordering Guide for complete accessory information.



Specifications may change due to continuous product development. Users are advised to consult Wacker Neuson's Operator's Manual and website for specific information regarding the engine power rating. Actual power output may vary due to conditions of specific use.

0982672/Dec-2010/Layout Goes Stud & Printing Marek Group

