

TROWEL SPECIFICATIONS/DIMENSIONS

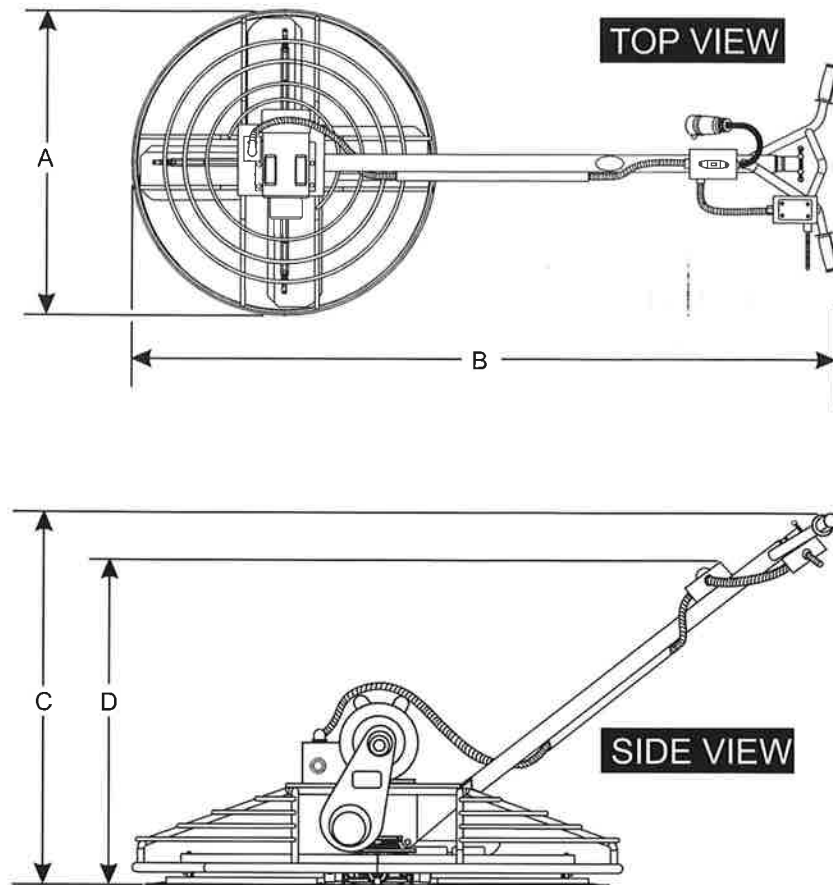


Figure 1. Dimensions

| Table 1. Trowel Specifications | | | |
|--|--------------|---|--------------|
| A-Width (Ring Diameter) – in. (mm) | 36.5 (927) | Sound Pressure (Guaranteed) – dBA ² | |
| B-Length – in. (mm) | 70.5 (1,790) | Vibration (Hand/Arm) – ft/s ² (m/s ²) ¹ | |
| C-Height (Handle) – in. (mm) | 37.5 (953) | Electric Motor – H.P. | 2.0 (1.5 kW) |
| D-Height (Switch Box) – in. (mm) | 36 (914) | Rotor – RPM (Dry Concrete) | 30-160 |
| Number of Blades | 4 | Operating Weight – lbs. (kg.) | 166 (75) |
| Path Width – in. (mm) | 34.5 (876) | Shipping Weight – lbs. (kg.) | 191 (86) |
| Sound Pressure (Weighted) – dBA ² | | | |

1. Sound pressure is “A” weighted. Measured at the operators ear position while the walk-behind trowel is operating at full throttle on concrete in a manner most often experienced in “normal” circumstances. Sound pressure may vary depending upon the condition of the concrete. Hearing protection is always recommended.
2. The vibration level indicated is the maximum RMS (Root Mean Square) value obtained at the handle grip while operating the ride-on trowel on curing concrete in a manner most often experienced in “normal” circumstances. Values were obtained from all three axes of motion. The values shown represent the maximum RMS value from these measurements.

ELECTRIC MOTOR SPECIFICATIONS

| Table 2. Electric Motor Specifications | |
|--|----------------|
| Model | B697 |
| Type | CP |
| HP/RPM | 2.0 @3450 |
| Hz | 60 |
| Phase | 1 |
| Input Voltage | 230/115 VAC |
| Amps | 8.4/16.6 |
| Thermal Protection | Yes |
| Insulation Class | B |
| Ambient Temperature | 104° F (40° C) |