

- Follow instructions on proper use of this machine. Do not use for other purposes such as drilling holes or turning winches. Other uses or modifying this power drive for other applications may increase the risk of serious injury.
- Read and understand the instructions and warnings for all equipment being used including Threading Machines and Power Drives before operating the Geared Threaders. Failure to follow all warnings and instructions may result in property damage and/or serious injury.
- Do not use this machine if the foot switch is broken or missing. Foot switch is a safety device that provides better control by letting you shut off the motor in various emergency situations by removing your foot from the switch. For example: if clothing should become caught in the machine, the high torque will continue pulling you into the machine. The clothing itself can bind around your arm or other body parts with enough force to crush or break bones.

The EC Declaration of Conformity (890-011-320.10) will accompany this manual as a separate booklet when required.

If you have any question concerning this RIDGID® product:

- Contact your local RIDGID distributor.
- Visit [www.RIDGID.com](http://www.RIDGID.com) to find your local RIDGID contact point.
- Contact RIDGID Technical Services Department at [rttechservices@emerson.com](mailto:rttechservices@emerson.com), or in the U.S. and Canada call (800) 519-3456.

## Description, Specifications and Standard Equipment

### Description

The RIDGID® Model 141 and 161 Receding Geared Threaders are designed to thread 2½" to 4" and 4" to 6" pipe, respectively. A cam type workholder is used to grip the pipe while the die head cuts the threads. A clutch is included to prevent jamming at the end of the thread. The threaders can be used for both tapered and straight right hand threads with a simple adjustment. See specifications for NPT and BSPT versions.

The 141 and 161 can be powered in a variety of ways, including operation by hand or with various RIDGID Threading Machines and Power Drives.

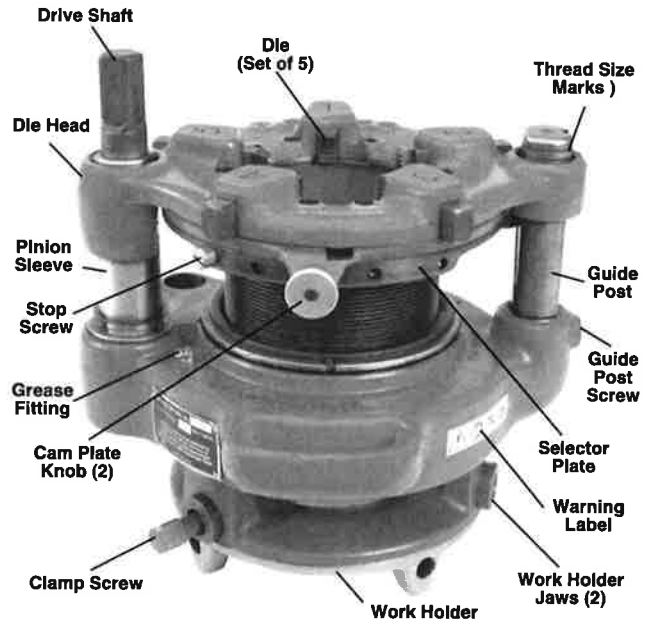


Figure 1 – Model 141 Receding Geared Threader

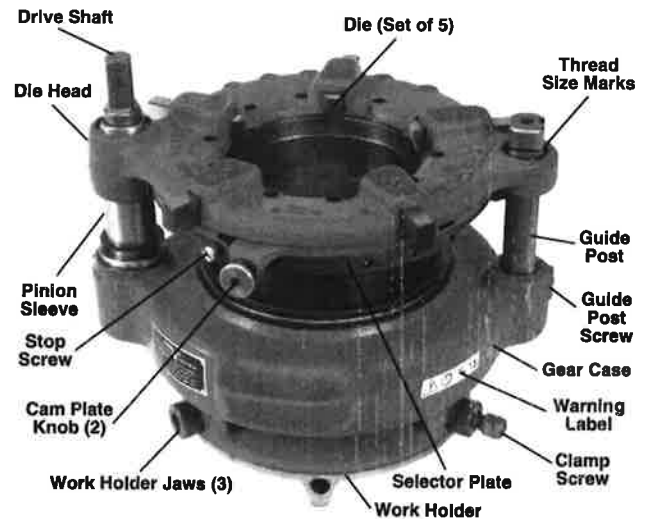


Figure 2 – Model 161 Receding Geared Threader

### Specifications

Model No.	Thread Type	Threads Per Inch	Nominal Capacity		Weight	
			inch	mm	lb	kg
141	NPT	8	2½ to 4	65 to 100	93	42.2
141	BSPT	11	2½ to 4	65 to 100	93	42.2
161	NPT	8	4 to 6	100 to 150	158	71.7