

For Earth, For Life
Kubota



SPEC CHECK GUIDE 2021

KUBOTA CANADA LTD.

Head Office:
5900 14th Avenue, Markham, Ontario L3S 4K4
TEL: (905) 294-7477

Visit our web site at: www.kubota.ca



SSV65
SSV75

Kubota

SSV65	8
SSV75	18

ASV

RS75	18
VS75	18

Bobcat

S510	8
S550	8
S570	8
S590	9
S62	9
S595	9
S630	9
S64	18
S66	19
S650	19
S76	19
S740	19
S770	20
S850	20

Case

SR175B	10
SV185B	10
SR210B	10
SR240B	20
SR270B	21
SV280B	21
SV340B	21

CAT

236D3	11
232D3	11
242D3	11
246D3	11
262D3	21
272D3	22
272D3 XE	22

Gehl

R190	12
R220	12
R260	22
V270 GEN:2	23
V330 GEN:2	23
V420	23

JCB

215	12
270	23
300	24
TELESKID 3TS-8W	24

JD

314G	13
316GR	13
318G	13
320G	13
324G	24
330G	25
332G	25

Mustang

1900R	14
2200R	14
2600R	25
2700V NXT2	25
3300V NXT2	26
4200V	26

NH

L218	14
L318	15
L220	15
L320	15
L221	15
L321	16
L228	26
L328	27
L230	27
L234	27
L334	27

Takeuchi

TS80R2	28
TS80V2	28

Wacker Neuson

SW20	16
SW21	16
SW24	28
SW24 Series II	29
SW28	29
SW28 Series II	29

Please note:

*All specification data in this guide book are obtained from published information by manufacturer, which is like brochure and web site. The data published represents the most current and best effort to report industry specifications accurately. However, no responsibility can be accepted for any errors or omissions.

Taking performance to all new levels of comfort and efficiency

OUTSTANDING PERFORMANCE

■ Kubota Engineered Vertical Lift Design

Kubota's unique vertical lift design delivers an exceptionally long reach of 32.7 inches (SSV65) or 36.9 inches (SSV75). The tip of the arm is optimally shaped to provide an exceptionally high hinge-pin height of 121.5 inches (SSV65) or 128.3 inches (SSV75) for easier dump truck loading and other lift & carry applications.

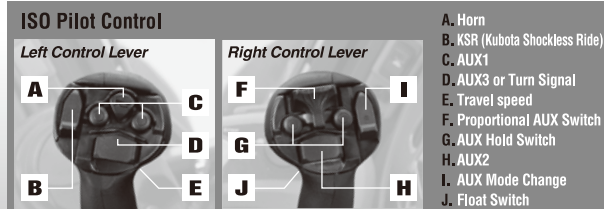
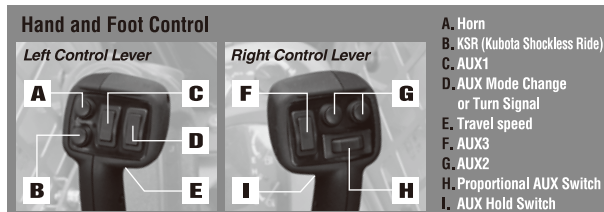
■ Long reach and high bucket hinge pin height

■ High-flow hydraulics (optional)

■ Self-leveling function (optional)

■ Multi function levers (optional)

The optional multi-function levers provide fingertip control of all major vehicle and attachment operations, including the main hydraulic line and three electrical lines, letting you keep both hands on the levers at all times for optimal operating efficiency.



■ Cooling system and variable fan

■ Electronic travel torque management (ISO pilot control)

TRAVEL PERFORMANCE

■ Standard two-speed travel

■ Heavy duty tires

■ Kubota Shockless Ride (KSR) (optional)

■ High ground clearance

COMFORTABLE CAB



■ Overhead Sliding Front Door

Standard on all closed-cab models and a dealer-installed option on the open-cab models, the tall and wide sliding front door can be opened regardless of the loader position, ensuring quick and easy entry and exit.

■ Excellent 360° visibility

■ Pressurized cab

■ Suspension seat

■ Optimized air conditioning

■ Enhanced defrosting and demisting functions

■ Ready for radio installation

RUGGED EXTERIOR

■ Aux. hydraulic lines routed inside the arm

■ Turn signal (optional)

■ Coupler protections

■ Front and side work lights

■ Cylinder protection plate

■ Sliding side windows

■ Side-window grille

■ Rear lights



EASY MAINTENANCE

■ Top-mounted radiator and oil cooler

Conveniently located on the top of the engine compartment, the radiator components are protected from damage from the rear yet within easy reach for cleaning and routine maintenance.



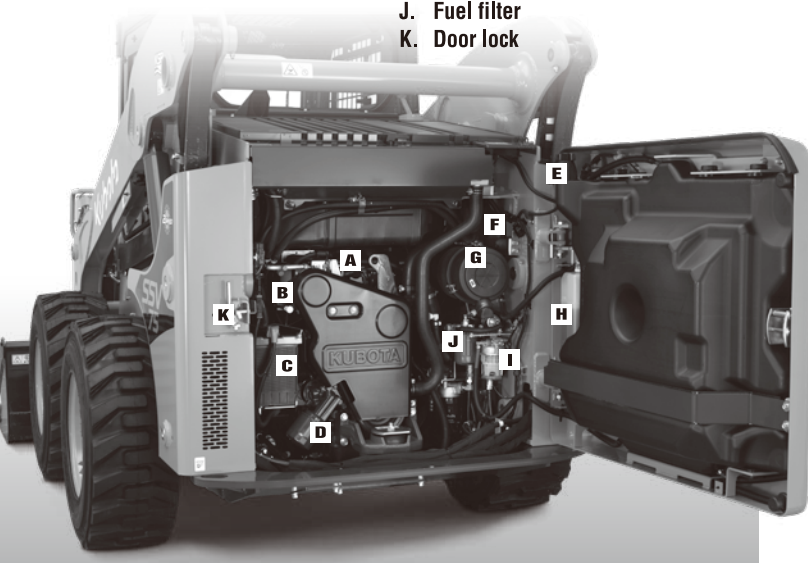
■ Tilt-up cabin

■ Mud-cleaning ports

■ Door enclosed fuel tank and easy refill access

■ Routine checks

- A. Engine oil filler tube
- B. Engine oil dipstick
- C. Battery
- D. Engine oil filter
- E. Diesel fuel filler tube
- F. Air cleaner indicator
- G. Air cleaner
- H. Coolant reserve tank
- I. Water separator
- J. Fuel filter
- K. Door lock



BUCKETS & ATTACHMENTS

Model	SSV65	SSV75	Model	SSV65	SSV75
68" LPSF W/TEETH	YES		74" SCRAP GRAPPLE BUCKET		YES
68" LPLF W/BOCE/TEETH	YES		72" POWER RAKE	YES	YES
74" LPSF W/BOCE/TEETH	YES	YES	90" POWER RAKE		YES
74" LPLF W/BOCE/TEETH	YES	YES	66" SNOW BLOWERS	YES	
68" HD LPLF W/BOCE/TEETH	YES		74" SNOW BLOWERS	YES	YES
74" HD LPSF W/BOCE/TEETH	YES	YES	84" SNOW BLOWERS		YES
74" HD LPLF W/BOCE/TEETH	YES	YES	72"/84"/96" SNOW PUSHERS	YES	YES
48"/60" PALLET FORK ASSY	YES	YES	60"/72" ROTARY CUTTER MAX 2' DIAMETER	YES	YES
POST HOLE DIGGER, 2" HEX OUTPUT SHAFT	YES	YES	60"/72" ROTARY CUTTER MAX 4' DIAMETER	YES	YES
POST HOLE DIGGER, HD, 2-9/16" ROUND OUTPUT SHAFT	YES	YES	72" ROTARY CUTTER MAX 6' DIAMETER		YES
72"/84" ANGLE BROOMS	YES	YES	62"/76" ROTARY TILLER	YES	YES
84" ANGLE BROOM W/HIGH FLOW	YES	YES	66" ROCK BUCKET	YES	
74"/84" HOPPER BROOMS	YES	YES	72" ROCK BUCKET	YES	YES
84"/96"/108" LIGHT MATERIAL / SNOW BUCKET	YES	YES	78" ROCK BUCKET		YES
LOADER BOOM 6000 LB	YES	YES	48"/68" TRENCHER	YES	YES
72" CLAW GRAPPLE, HEAVY DUTY	YES	YES	96"/108" TRIP EDGE BLADES - 35 SERIES	YES	YES
84" CLAW GRAPPLE, HEAVY DUTY	YES	YES	24" STUMP GRINDER	YES	YES
68" COMBINATION BUCKET	YES		72"/84" SKID GRADER	YES	YES
74" COMBINATION BUCKET		YES	36"/42"/48" TREE CARRIER	YES	YES
84" DOZER BLADE 6-WAY	YES	YES	HYDRAULIC BREAKER 500 ft-lb	YES	YES
66" ROCK GRAPPLE	YES		TREE PULLER - LIGHT DUTY	YES	
72" ROCK GRAPPLE	YES	YES	TREE PULLER - HEAVY DUTY	YES	YES
78" ROCK GRAPPLE		YES	UTILITY BUCKET	YES	YES
66" MANURE GRAPPLE	YES		3-PT HITCH	YES	YES
72" MANURE GRAPPLE	YES	YES	TILT HITCH	YES	YES
78" MANURE GRAPPLE	YES	YES	12"/16" COLD PLANER- LOW FLOW	YES	YES
68" ROOT GRAPPLE	YES		18" COLD PLANER	YES	YES
74" ROOT GRAPPLE	YES	YES	72"/86" PRIMARY SEEDER	YES	YES
80" ROOT GRAPPLE	YES	YES	RIPPER - 5 SHANK	YES	YES
68" SCRAP GRAPPLE BUCKET	YES		96" SILAGE DEFACER	YES	YES

DIA KIT INSTALLATIONS

Model	SSV65	SSV75	Model	SSV65	SSV75
AIR RIDE SEAT	YES	YES	HAZARD LAMP	YES	YES
BEACON LIGHT KIT	YES	YES	HOSE STAY	YES	YES
12X16.5 TURF TIRE	YES	YES	H-PATTERN CONVERSION KIT	YES	YES
14-PIN FRONT ELEC. CONNECTOR W/HARNES	YES	YES	HYDR. QUICK COUPLER CONVERSION KIT	YES	YES
14X17.5 TIRE ASSY		YES	KSR RIDE CONTROL KIT	YES	YES
3" SEAT BELT	YES	YES	MULTI-FUNCTION GRIPS	YES	YES
8-PIN TO 14-PIN ADAPTER HARNES	YES	YES	ONE-WAY SELF LEVELING KIT	YES	YES
30x6x10 SOLID FLEX TIRE	YES		RADIO KIT FOR ENCLOSED CABS	YES	YES
33x6x11 SOLID FLEX TIRE	YES	YES	RADIO KIT W/ BLUETOOTH FOR ENCLOSED CABS	YES	YES
ACCUMULATOR CHARGE KIT	YES	YES	REAR VIEW CAMERA KIT	YES	YES
ADDITIONAL COUNTERWEIGHT KIT	YES	YES	REPLACEMENT OPEN/CLOSED CAB	YES	YES
ENGINE BLOCK HEATER	YES	YES	SINGLE POINT LIFT KIT	YES	YES
ENGINE BONNET LOCK KIT	YES	YES	SPECIAL APPLICATIONS DOOR	YES	YES
FRONT GLASS KIT	YES	YES	STROBE LIGHT KIT	YES	YES

SSV65 SSV75

Specifications

Model		Kubota SSV65	Bobcat S510	Bobcat S550	Bobcat S570	Bobcat S590	Bobcat S62	Bobcat S595	Bobcat S630	
Engine	Model	Kubota V2607-CR-TE4	Doosan	Doosan	Doosan	Doosan	Doosan	Doosan	Doosan	
	Gross power (SAE J 1995)	HP(kW)/rpm	64 (47.7) @2700	55 (41) @--	61 (45.5) @2700	61 (45.5) @2700	68 (50.7) @--	68.5 (50.7) @--	74 (55.2) @--	74 (55.2) @--
	Net power (SAE J 1349)	HP(kW)/rpm	61.3 (45.7) @2700	--	--	--	--	--	--	--
	Peak torque	lb-ft (N-m)	--	--	--	--	--	--	--	--
	Number of cylinders		4	--	--	--	--	--	--	--
	Displacement	cu. in. (cc)	159.7 (2615)	--	--	--	--	--	--	--
Dimensions	Aspiration	Turbocharged	Turbocharged	Turbocharged	Turbocharged	Turbocharged	Turbocharged	Turbocharged	Turbocharged	
	Bucket width	in. (mm)	69 (1753)	68 (1727)	68 (1727)	68 (1727)	68 (1727)	68 (1727)	68 (1727)	74 (1880)
	Width over tracks	in. (mm)	66.5 (1689)	64.7 (1643)	64.7 (1643)	64.7 (1643)	65.2 (1656)	65.2 (1656)	65.2 (1656)	72.1 (1832)
	Length w/ bucket on ground	in. (mm)	135.4 (3439)	133 (3378)	133 (3378)	133 (3378)	133 (3378)	135 (3429)	133 (3378)	136.8 (3474)
	Length w/o attachments	in. (mm)	106.3 (2700)	104.6 (2656)	104.6 (2657)	104.6 (2657)	104.6 (2657)	107 (2718)	104.6 (2657)	108.4 (2754)
	Height to top of cab	in. (mm)	79.9 (2029)	77.8 (1972)	77.8 (1972)	77.8 (1972)	77.8 (1972)	80.5 (2045)	77.8 (1972)	81.3 (2065)
	RL rear angle departure	deg.	23.9	24	24	24	24	24	24	25
	Wheelbase	in. (mm)	44.3 (1125)	42.6 (1082)	42.6 (1082)	42.6 (1082)	42.6 (1082)	44.6 (1133)	42.6 (1082)	45.3 (1150)
	Ground clearance	in. (mm)	7.6 (193)	7.3 (185)	7.3 (185)	7.3 (185)	7.3 (185)	7.3 (185)	7.3 (185)	8.1 (207)
	Performance	Lift arm path	Vertical	Radial	Radial	Vertical	Vertical	Vertical	Vertical	Radial
Rated operational capacity @50% of tip		lbf (kgf)	1950 (885)	1876 (851)	1750 (794)	1950 (885)	2000 (907)	2100 (953)	2200 (998)	2180 (989)
Rated operational capacity @35% of tip		lbf (kgf)	1365 (620)	1225 (556)	1225 (556)	1365 (620)	1470 (666)	1540 (699)	1540 (699)	1526 (692)
Tipping load		lbf (kg)	3900 (1770)	3754 (1703)	3500 (1588)	3900 (1769)	4202 (1905)	4200 (1905)	4400 (1995)	4360 (1978)
Bucket/Arm breakout force		lbf (kg)	4839 (2195) / 3858 (1750)	--	--	--	--	--	--	--
Max. dump angle at full height		deg.	41	42	42	42	42	42	42	42
Dumping height		in. (mm)	92.4 (2347)	86.8 (2205)	86.8 (2205)	91.3 (2319)	91.3 (2319)	91.3 (2319)	91.3 (2319)	93.2 (2367)
Reach at max. lift and dump		in. (mm)	32.7 (831)	17 (432)	17 (432)	32.6 (828)	32.6 (828)	20.4 (518)	32.6 (828)	21.4 (544)
Max. hinge pin height		in. (mm)	121.5 (3085)	114.5 (2908)	114.5 (2908)	119 (3023)	119 (3023)	114.5 (2908)	119 (3023)	121 (3073)
Bucket rollback at ground level		deg.	27	30	30	30	30	30	30	31
Undercarriage	Standard tire size	10-16.5-8PR	--	--	--	--	--	--	--	
	Chain size ASA#	80	--	--	--	--	--	--	--	
	Travel speed Lo/Hi	mph (km/h)	6.9 (11.1) / 11.1 (17.8)	7.6 (12.3) / --	7.4 (11.8) / 11 (17.3)	7.4 (11.8) / 11.0 (17.3)	6.7 (10.8) / 11.4 (18.4)	7.4 (11.9) / 11.0 (17.7)	7.4 (11.8) / 11.0 (17.3)	7.1 (11.4) / 12.3 (19.8)
	Traction force	lbf (kgf)	7339 (3329)	--	--	--	--	--	--	--
Hydraulics	Loader hydraulic flow	gpm (l/m)	18 (68)	17.1 (64.7)	17.1 (64.7)	17.1 (64.7)	17.1 (64.7)	17.6 (66.6)	17.1 (64.7)	23 (87.1)
	Loader hydraulic pressure	psi(kg/cm ²)	3271 (230)	3550 (246)	3500 (246)	3500 (246)	3550 (246)	3500 (246)	3500 (246)	3500 (246)
	Aux. hydraulic flow low	gpm (l/m)	18 (68)	17.1 (64.7)	17.1 (64.7)	17.1 (64.7)	17.1 (64.7)	17.6 (66.6)	17.1 (64.7)	23 (87.1)
	Aux. hydraulic flow high	gpm (l/m)	28 (106)	--	26.7 (101.1)	26.7 (101.1)	--	26.9 (101.8)	26.7 (101.1)	30.5 (115.5)
Other features	Standard ROPS	Tilt back	Tilt back	Tilt back	Tilt back	Tilt back	Tilt back	Tilt back	Tilt back	
	Self leveling bucket	OPT	OPT	OPT	OPT	OPT	OPT	OPT	OPT	
	Controls	Hand controls	ISO pattern	OPT (SJC)	OPT (SJC)	OPT (SJC)	OPT (SJC)	OPT (SJC)	OPT (SJC)	OPT (SJC)
		H-pattern	--	OPT (SJC/ACS)	OPT (SJC/ACS)	OPT (SJC/ACS)	OPT (SJC/ACS)	OPT (SJC/ACS)	OPT (SJC/ACS)	OPT (SJC/ACS)
	Hand & foot controls	STD	STD	STD	STD	STD	STD	STD	STD	
Operating weight	lbs(kg)	6790 (3080) / 7055 (3200)	6208 (2816)	6213 (2818)	6480 (2939)	6765 (3069)	6884 (3123)	6793 (3082)	7610 (3452)	
Service capabilities	Fuel tank	gal. (l)	25.4 (96)	24.8 (93.7)	24.7 (93.7)	24.7 (93.7)	24.8 (93.7)	28.3 (107.1)	24.7 (93.7)	23.9 (90.5)
	Hydraulic tank	gal. (l)	4.2 (16)	--	--	--	--	--	--	--

Kubota SSV65	Case SR175B	Case SR185B	Case SR210B	CAT 236D3	CAT 232D3	CAT 242D3	CAT 246D3
Kubota V2607-CR-TE4	ISM N4LDI-TA-50SL-01	ISM N4LDI-TA-50SL-01	FPT F5H FL463A	Cat C3.3B DIT	Cat Cat C2.2 CRDI	Cat C3.3B DIT	Cat C3.3B DIT
64 (47.7) @2700	67 (50) @2800	60 (44.7) @2800	74 (55) @2500	74.3 (55.4) @-	67.1 (50.1) @-	74.3 (55.4) @-	74.3 (55.4) @-
61.3 (45.7) @2700	64 (47.7) @2800	57 (42.4) @2800	68 (51) @2500	73.2 (54.6) @-	65.8 (49.1) @-	73.2 (54.6) @-	72.9 (54.4) @-
-	153 (208) @-	135 (183) @-	232 (314) @-	195 (264) @-	153 (208) @ 1500	195 (264) @-	195 (264) @-
4	4	4	4	4	4	4	4
159.7 (2615)	135.2 (2200)	135.2 (2200)	207 (3400)	203 (3300)	134 (2200)	203 (3300)	203 (3300)
Turbocharged	Turbocharged	Turbocharged	Turbocharged	Turbocharged	Turbocharged	Turbocharged	Turbocharged
69 (1753)	66 (1676)	66 (1676)	72 (1830)	66 (1676)	62 (1576)	68 (1730)	68 (1730)
66.5 (1689)	64.6 (1641)	64.6 (1641)	69.1 (1760)	66 (1676)	58.9 (1497)	66 (1676)	66.0 (1676)
135.4 (3439)	130.1 (3310)	131.7 (3345)	129.6 (3290)	137.3 (3487)	127.3 (3233)	137.3 (3487)	146.0 (3708)
106.3 (2700)	105.7 (2690)	105.7 (2690)	105.1 (2670)	108.9 (2767)	99.3 (2523)	108.9 (2767)	117.8 (2993)
79.9 (2029)	77.7 (1970)	77.7 (1970)	78.7 (2000)	82 (2082)	79.9 (2029)	83.1 (2111)	83.1 (2110)
23.9	23	23	25	26	27.9	27	26
44.3 (1125)	44.4 (1130)	44.4 (1130)	44.4 (1128)	43.5 (1105)	41.5 (1054)	43.5 (1105)	49.2 (1249)
7.6 (193)	7 (180)	7 (180)	8 (200)	7.7 (195)	6.7 (170)	8.7 (222)	8.9 (226)
Vertical	Radial	Vertical	Radial	Radial	Vertical	Vertical	Radial
1950 (885)	1750 (790)	1850(840)	2100 (955)	1800 (818)	1900 (862)	2200 (998)	2200 (998)
1365 (620)	1225 (553)	1295 (587)	1470 (669)	1260 (572)	1330 (603)	1540 (699)	1540 (699)
3900 (1770)	3500 (1588)	3700 (1678)	4200 (1905)	3600 (1633)	3800 (1724)	4400 (1996)	4400 (1996)
4839 (2195) / 3858 (1750)	7270 (3230) / 3810 (1690)	5550 (2470) / 3450 (1530)	7270 (3230) / 4570 (2030)	5003 (2269) / -	3928 (1782) / -	4963 (2251) / -	7355 (3336) / -
41	39.6	51.9	39.6	48	47.4	52	39
92.4 (2347)	97.2 (2469)	93.7 (2380)	98.2 (2500)	92.9 (2359)	88.7 (2254)	90 (2285)	97.1 (2465)
32.7 (831)	24.4 (620)	33.7 (860)	23.4 (600)	16 (408)	25.7 (653)	21.7 (552)	23.6 (600)
121.5 (3085)	122 (3100)	120 (3050)	123 (3120)	122.9 (3122)	118.1 (3001)	121.1 (3076)	124.2 (3154)
27	31.6	35	31	-	-	-	-
10-16.5-8PR	10-16.5	10-16.5	12-16.5	10-16.5	10-16.5	12-16.5	12-16.5
80	80	80	100	-	-	-	-
6.9 (11.1) / 11.1 (17.8)	7.4 (11.9) / 10.8 (17.4)	7.4 (11.9) / 10.8 (17.4)	7.1 (11.4) / 10.5 (16.9)	7 (11.2) / 10.6 (17.1)	7.6 (12.3) / 11.1 (17.8)	7.5 (12.1) / 11.5 (18.5)	7.7 (12.5) / 11 (17.7)
7339 (3329)	-	-	-	-	-	-	-
18 (68)	20.6 (78)	20.6 (78)	24.2 (91.5)	20 (76)	18 (69)	20 (76)	23 (86)
3271 (230)	3050 (210)	3050 (210)	3050 (210)	3335 (234)	3336 (235)	3335 (234)	3335 (234)
18 (68)	20.6 (78)	20.6 (78)	24.2 (91.5)	20 (76)	18 (69)	20 (76)	23 (86)
28 (106)	30.7 (116.2)	30.7 (116.2)	33.2 (125.7)	30 (112)	26 (99)	30.0 (112)	32 (121)
Tilt back	Tilt forward	Tilt forward	Tilt forward	Tilt back	Tilt back	Tilt back	Tilt back
OPT	OPT	OPT	OPT	OPT	OPT	OPT	OPT
OPT	OPT	OPT	OPT	OPT	OPT	OPT	OPT
-	STD	STD	STD	OPT	OPT	OPT	OPT
STD	-	-	-	-	-	OPT	OPT
6790 (3080) / 7055 (3200)	6270 (2842)	6570 (2980)	6970 (3160)	6567 (2978)	6514 (2955)	7138 (3238)	7478 (3392)
25.4 (96)	19.5 (73.8)	19.5 (73.8)	19.5 (73.8)	24.8 (93.9)	15.1 (57)	24.8 (93.9)	27.7 (104.9)
4.2 (16)	5 (18.9)	4.3 (16.3)	7 (26.5)	10.3 (39)	9 (34)	10.3 (39)	10.3 (39)

Kubota SSV65	Gehl R190	Gehl R220	JCB 215	JD 314G	JD 316GR	JD 318G	JD 320G
Kubota V2607-CR-TE4	Yanmar 4TNV98C	Yanmar 4TNV98CT	Kohler KDI 3404 TCR	Yanmar 4TNV86 CT	Yanmar 4TNV86 CH T	Yanmar 4TNV86 CHT	Yanmar 4TNV98C
64 (47.7) @2700	69.3 (51.7) @2500	72 (53.7) @2500	74 (55) @2400	51 (37.8) @2600	65 (48.5) @2600	65 (48.5) @2600	69 (51.7) @2500
61.3 (45.7) @2700	68.4 (51) @2500	70.7 (52.7) @2500	–	48 (35.8) @2600	61 (45.6) @2600	61 (45.6) @2600	66 (49.4) @2500
–	178 (241) @–	217 (294) @–	221 (300) @–	124 (168) @–	153 (207) @–	153 (207) @–	178 (241) @–
4	4	4	–	4	4	4	4
159.7 (2615)	202.6 (3300)	202.6 (3300)	151 (2474)	128 (2100)	128 (2100)	128 (2100)	203 (3300)
Turbocharged	–	Turbocharged	Turbocharged	Turbocharged	Turbocharged	Turbocharged	Naturally aspirated
69 (1753)	66 (1676)	70 (1778)	66 (1676)	–	–	–	–
66.5 (1689)	64.5 (1638)	65.5 (1664)	63 (1520)	62.9 (1600)	62.9 (1600)	62.9 (1600)	67 (1700)
135.4 (3439)	127 (3226)	136.5 (3467)	137 (3490)	127.6 (3240)	127.6 (3240)	127.6 (3240)	136.3 (3460)
106.3 (2700)	94 (2388)	105 (2667)	98 (2490)	103 (2630)	103 (2630)	103 (2630)	112.3 (2850)
79.9 (2029)	80 (2032)	81 (2057)	78 (1980)	77.2 (1960)	77.2 (1960)	77.2 (1960)	81.1 (2060)
23.9	25	25	25	22.3	22.3	22.3	28
44.3 (1125)	42 (1067)	43 (1092)	39 (1070)	41.3 (1050)	41.5 (1050)	41.5 (1050)	44.2 (1120)
7.6 (193)	6.5 (165)	8 (203)	8.3 (210)	7 (180)	7 (180)	7 (180)	9.3 (240)
Vertical	Radial	Radial	Vertical	Vertical	Radial	Vertical	Vertical
1950 (885)	1900 (862)	2200 (998)	2112 (958)	1760 (799)	1750 (795)	1945 (883)	2190 (994)
1365 (620)	1330 (603)	1540 (699)	1447 (670)	1232 (560)	1225 (556)	1361 (618)	1533 (686)
3900 (1770)	3800 (1724)	4400 (1996)	4222 (1915)	3520 (1598)	3500 (1589)	3890 (1766)	4380 (1989)
4839 (2195) / 3858 (1750)	–	–	4899 (2222) / 4592 (2083)	5000 (2270) / 4500 (2043)	5250 (2384) / 4750 (2157)	6000 (2724) / 5250 (2384)	6000 (2724) / 3725 (1692)
41	42	40	42	42	45	42	43
92.4 (2347)	91 (2311)	94 (2388)	89 (2260)	94.3 (2400)	88.6 (2250)	94.3 (2400)	97.7 (2480)
32.7 (831)	22.5 (572)	27 (686)	34 (860)	34 (860)	15.8 (400)	34 (860)	29.2 (740)
121.5 (3085)	120.5 (3061)	123 (3124)	118 (3000)	120 (3050)	115.1 (2920)	120 (3050)	122.2 (3100)
27	26	28	30	30	30	30	33
10-16.5-8PR	10-16.5	12-16.5	10-16.5-8PR	10-16.5	10-16.5	10-16.5	12-16.5 12PR
80	–	–	–	–	–	–	–
6.9 (11.1) / 11.1 (17.8)	7.5 (12.1) / 12.5 (20.1)	8 (12.9) / 11.9 (19.2)	7.5 (12) / 11.5 (18.5)	6.7 (10.8)	6.9 (11.1) / 10.1 (16.3)	6.9 (11.1) / 10.1 (16.3)	6.9 (11.1) / 11.1 (17.9)
7339 (3329)	–	–	–	5655 (3318)	7831 (3552)	7831 (3552)	7491 (3220)
18 (68)	18.5 (70)	23.5 (90)	18.5 (70)	17 (63)	17 (63)	17 (63)	21 (78)
3271 (230)	–	–	3335 (230)	3250 (229)	3450 (243)	3450 (243)	3250 (229)
18 (68)	18.5 (70)	23.5 (90)	18.5 (70)	17 (63)	17 (63)	17 (63)	21 (78)
28 (106)	31.5 (119)	35.0 (132.5)	30 (115)	–	–	–	30 (112)
Tilt back	Tilt back	Tilt back	Tilt forward	Tilt back	Tilt back	Tilt back	Tilt back
OPT	OPT	OPT	OPT	OPT	OPT	OPT	OPT
OPT	OPT	OPT	STD	–	–	–	OPT
–	OPT	OPT	OPT	–	–	–	OPT
STD	OPT	OPT	–	STD	STD	STD	STD
6790 (3080) / 7055 (3200)	6880 (3121)	7980 (3620)	7253 (3290)	6140 (2788)	6180 (2806)	6542 (2970)	7150 (3246)
25.4 (96)	16.5 (62.5)	18 (68.1)	24.3 (92)	19 (71)	19 (71)	19 (71)	21 (71)
4.2 (16)	8 (30.3)	8 (30.3)	–	–	–	–	–

Kubota SSV65	Mustang 1900R	Mustang 2200R	NH L218	NH L318	NH L220	NH L320	NH L221
Kubota V2607-CR-TE4	Yanmar 4TNN98C	Yanmar 4TNN98CT	ISM N844LTA	ISM N4LDI-TA-45SL	ISM N844LTA	ISM N4LDI-TA-50SL	FPT F5H FL463
64 (47.7) @2700	69.3 (51.7) @2500	72 (53.7) @2500	60 (45) @2800	60 (45) @2800	67 (50) @2800	67 (50) @2800	74.0 (55) @2500
61.3 (45.7) @2700	68.4 (51) @2500	70.7 (52.7) @2500	57 (42) @2800	57 (42) @2800	64 (47.7) @2800	64 (47.7) @2800	68 (51) @2500
–	–	–	135 (183) @–	135 (183) @–	153 (208) @–	153 (208) @–	232 (314) @–
4	4	4	4	4	4	4	4
159.7 (2615)	202.6 (3300)	202.6 (3300)	135 (2200)	135 (2200)	135 (2200)	135 (2200)	207 (3400)
Turbocharged	–	–	Turbocharged	Turbocharged	Turbocharged	Turbocharged	Turbocharged
69 (1753)	66 (1676)	70 (1778)	66 (1676)	66 (1676)	66 (1676)	66 (1676)	66 (1676)
66.5 (1689)	64.5 (1638)	65.5 (1664)	66.1 (1678)	69.1 (1755)	69.1 (1755)	69.1 (1755)	69.1 (1755)
135.4 (3439)	127 (3226)	136.5 (3467)	131.9 (3325)	131.9 (3325)	131.4 (3338)	131.4 (3338)	129.6 (3292)
106.3 (2700)	94 (2388)	105 (2667)	105.7 (2697)	105.7 (2697)	105.7 (2685)	105.7 (2685)	105.1 (2669)
79.9 (2029)	80 (2032)	81 (2057)	77.7 (1974)	77.7 (1974)	78.7 (1998)	78.7 (1998)	78.7 (1998)
23.9	25	25	23	23	25	25	25
44.3 (1125)	42 (1067)	43 (1092)	44.4 (1128)	44.4 (1128)	44.4 (1128)	44.4 (1128)	44.4 (1128)
7.6 (193)	6.5 (165)	8 (203)	7 (178)	7 (178)	8 (203)	8 (203)	8 (203)
Vertical	Radial	Radial	Vertical	Vertical	Vertical	Vertical	Radial
1950 (885)	1900 (862)	2200 (998)	1800 (818)	1800 (818)	2000 (905)	2000 (905)	2100 (905)
1365 (620)	1330 (603)	1540 (699)	1260 (571)	1260 (571)	1400 (635)	1400 (635)	1470 (667)
3900 (1770)	3800 (1724)	4400 (1996)	3600 (1632)	3600 (1632)	4000 (1814)	4000 (1814)	4200 (1905)
4839 (2195) / 3858 (1750)	–	–	5550 (2470) / 2620 (1170)	5550 (2470) / 2620 (1170)	7300 (3250) / 3450 (1530)	7300 (3250) / 3450 (1530)	7270 (3230) / 4570 (2030)
41	42	40	52	52	52	52	40
92.4 (2347)	91 (2311)	94 (2388)	93.7 (2380)	93.7 (2380)	94.7 (2405)	94.7 (2405)	98.2 (2495)
32.7 (831)	22.5 (572)	27 (686)	30.8 (783)	30.8 (783)	29.8 (758)	29.8 (758)	20.3 (517)
121.5 (3085)	120.5 (3061)	123 (3124)	120 (3048)	120 (3048)	121 (3073)	121 (3073)	123 (3124)
27	26	28	35	35	34	34	31
10-16.5-8PR	10-16.5 HD	12-16.5 HD	10-16.5 HD	10-16.5 HD	12-16.5 HD	12-16.5 HD	12-16.5
80	–	–	80	80	80	80	100
6.9 (11.1) / 11.1 (17.8)	7.5 (12.1) / 12.5 (20.1)	8 (12.9) / 11.9 (19.2)	7.4 (11.9) / 10.8 (17.4)	7.4 (11.9) / 10.8 (17.4)	7.8 (12.5) / 11.4 (18.3)	7.8 (12.5) / 11.4 (18.3)	7.8 (12.5) / 11.4 (18.3)
7339 (3329)	–	–	–	–	–	–	–
18 (68)	18.5 (70)	23.5 (90)	20.6 (78)	20.6 (78)	20.6 (78)	20.6 (78)	24.2 (91.5)
3271 (230)	–	–	3046 (210)	3046 (210)	3046 (210)	3046 (210)	3046 (210)
18 (68)	18.5 (70)	23.5 (90)	20.6 (78)	20.6 (78)	20.6 (78)	20.6 (78)	24.2 (91.5)
28 (106)	31.5 (119)	35 (132.5)	30.7 (116.2)	30.7 (116.2)	30.7 (116.2)	30.7 (116.2)	33.2 (125.7)
Tilt back	Tilt back	Tilt back	Tilt forward	Tilt forward	Tilt forward	Tilt forward	Tilt forward
OPT	OPT	OPT	OPT	OPT	OPT	OPT	OPT
OPT	OPT	OPT	OPT	OPT	OPT	OPT	OPT
–	OPT	OPT	OPT	OPT	OPT	OPT	OPT
STD	OPT	OPT	STD	STD	STD	STD	STD
6790 (3080) / 7055 (3200)	6880 (3121)	7980 (3620)	6230 (2832)	6230 (2832)	6470 (2935)	6470 (2935)	6970 (3160)
25.4 (96)	16.5 (62.5)	18 (68.1)	19.5 (73.8)	19.5 (73.8)	19.5 (73.8)	19.5 (73.8)	19.5 (73.8)
4.2 (16)	8 (30.3)	8 (30.3)	4.3 (16.2)	4.3 (16.2)	4.3 (16.2)	4.3 (16.2)	–

notes:

Kubota SSV65	NH L321	Wacker Neuson SW20	Wacker Neuson SW21
Kubota V2607-CR-TE4	FPT F5H FL463	Kohler KDI 1903 TCR	Kohler KDI 2504 TCR
64 (47.7) @2700	74.0 (55) @2500	–	–
61.3 (45.7) @2700	68 (51) @2500	56 (42) @–	74 (55.2) @–
–	232 (314) @–	–	–
4	4	–	–
159.7 (2615)	207 (3400)	113.6 (1861)	151.5 (2482)
Turbocharged	Turbocharged	Turbocharged	Turbocharged
69 (1753)	72 (1829)	–	–
66.5 (1689)	69.1 (1755)	65.9 (1675)	65.9 (1675)
135.4 (3439)	129.6 (3292)	134.9 (3425)	134.9 (3425)
106.3 (2700)	105.1 (2669)	106.6 (2711)	106.6 (2711)
79.9 (2029)	78.7 (1998)	81.5 (2070)	81.5 (2070)
23.9	25	24	24
44.3 (1125)	44.4 (1128)	43.5 (1104)	43.5 (1104)
7.6 (193)	8 (203)	7.6 (192)	7.6 (192)
Vertical	Radial	Vertical	Vertical
1950 (885)	2100 (905)	2000 (907)	2100 (953)
1365 (620)	1470 (667)	1400 (635)	1470 (686)
3900 (1770)	4200 (1905)	4000 (1814)	4200 (1906)
4839 (2195) / 3858 (1750)	7270 (3230) / 4570 (2030)	5300 (2404) / 5000 (2268)	5300 (2404) / 5000 (2268)
41	40	42	42
92.4 (2347)	98.2 (2495)	96.5 (2450)	96.5 (2450)
32.7 (831)	20.3 (517)	37.9 (963)	37.9 (963)
121.5 (3085)	123 (3124)	124 (3188)	124 (3188)
27	31	30	30
10-16.5-8PR	12-16.5	10-16.5	10-16.5
80	100	–	–
6.9 (11.1) / 11.1 (17.8)	7.8 (12.5) / 11.4 (18.3)	8 (12.9) / 12 (19.3)	8 (12.9) / 12 (19.3)
7339 (3329)	–	–	–
18 (68)	24.2 (91.5)	20 (76)	20 (76)
3271 (230)	3046 (210)	3500 (241)	3500 (241)
18 (68)	24.2 (91.5)	20 (76)	20 (76)
28 (106)	33.2 (125.7)	–	30 (113.6)
Tilt back	Tilt forward	–	–
OPT	OPT	OPT	OPT
OPT	OPT	OPT	OPT
–	OPT	OPT	OPT
STD	STD	STD	STD
6790 (3080) / 7055 (3200)	6970 (3160)	6437 (2920)	6512 (2954)
25.4 (96)	19.5 (73.8)	30 (113.6)	32.8 (124.1)
4.2 (16)	–	2.9 (11.6)	2.9 (11.6)

Kubota SSV75	ASV RS75	ASV VS75	Bobcat S64	Bobcat S66	Bobcat S650	Bobcat S76	Bobcat S740
Kubota V3307-CR-TE4	Deutz TD2.9L4	Deutz TD2.9L4	Doosan	Doosan	Doosan	–	Doosan
74.3 (55.4) @2600	74 (55) @–	74 (55) @–	68 (50.7) @–	74 (55.2) @–	74 (55.2) @–	74 (55.2) @–	74 (55.2) @–
71.6 (53.4) @2600	–	–	–	–	–	–	–
–	192 @–	192 @–	–	–	–	–	–
4	4	4	–	–	–	–	–
203.3 (3331)	177 (2900)	177 (2900)	–	–	–	–	–
Turbocharged	Turbocharged	Turbocharged	Turbocharged	Turbocharged	Turbocharged	Turbocharged	Turbocharged
75.0 (1905)	–	–	68 (1727)	68 (1727)	74 (1880)	74 (1880)	74 (1880)
71.8 (1823)	72 (1823)	72 (1829)	64.6 (1641)	67 (1702)	72.1 (1832)	72.1 (1832)	72.1 (1832)
144.1 (3660)	145 (3683)	146 (3708)	134.9 (3426)	134.9 (3426)	136.8 (3474)	147.1 (3736)	141.3 (3597)
115 (2920)	109.5 (2782)	108.8 (2763)	107 (2718)	107 (2718)	108.4 (2754)	113.9 (2893)	114.6 (2903)
81.3 (2065)	84 (2134)	84 (2134)	80.5 (2045)	80.5 (2045)	81.3 (2065)	81.8 (2078)	81.3 (2065)
24.6	24	24	25	25	25	–	25
47.2 (1200)	48.9 (1242)	48.9 (1242)	44.6 (1133)	44.6 (1133)	45.3 (1150)	48.3 (1227)	48.3 (1227)
8.1 (207)	10.5 (267)	10.5 (267)	8.1 (207)	8.1 (207)	8.1 (207)	–	8.1 (207)
Vertical	Radial	Vertical	Vertical	Vertical	Vertical	Vertical	Vertical
2690 (1220)	2600 (1179)	3500 (1587)	2300 (1043)	2400 (1089)	2690 (1220)	2900 (1315)	3100 (1406)
1883 (854)	1820 (825)	2450 (1111)	–	–	1883 (854)	2030 (921)	2170 (984)
5380 (2440)	5200 (2358)	7000 (3175)	4600 (2087)	4800 (2177)	5380 (2440)	5800 (2631)	6200 (2812)
5884 (2669) / 4850 (2200)	5845 (2651) / 7100 (3220)	5920 (2685) / 6325 (2828)	–	–	–	–	–
43	34	39	42	42	42	–	42
98 (2490)	100 (2540)	103 (2616)	93.6 (2447)	93.6 (2447)	93.6 (2447)	–	104.3 (2649)
36.9 (936)	25 (635)	36 (914)	34.2 (869)	34.2 (869)	31.5 (800)	37.4 (950)	33.6 (853)
128.3 (3258)	125 (2997)	130 (3302)	120.0 (3048)	120.0 (3048)	124 (3149)	128.3 (3259)	131.4 (3338)
27	25	30	31	31	31	–	32
12-16.5-10PR	12-16.5	12-16.5	–	–	–	–	–
100	100	100	–	–	–	–	–
7.4 (11.9) / 11.8 (19.0)	8.2 (13.1) / 11 (17.7)	8.2 (13.1) / 11 (17.7)	7.4 (11.8) / 11.0 (17.7)	7.4 (11.8) / 11.0 (17.7)	7.1 (11.4) / 12.3 (19.8)	6.8 (10.9) / 11.8 (18.9)	7.1 (11.4) / 12.3 (19.8)
8494 (3853)	8700 (3946)	8800 (3992)	–	–	–	–	–
20.9 (79)	21.5 (81.4)	26 (98.4)	23.0 (87.1)	23.0 (87.1)	23.0 (87.1)	23.3 (88.2)	23 (87.1)
3271 (230)	3335 (230)	3335 (230)	3500 (241)	3500 (241)	3500 (241)	3500 (241)	3500 (241)
20.9 (79)	21.5 (81.4)	26 (98.4)	17.6 (66.6)	17.6 (66.6)	23.0 (87.1)	23.3 (88.1)	23 (87.1)
30.4 (115)	30.9 (116.9)	30.9 (116.9)	26.9 (101.8)	26.9 (101.8)	30.5 (115.5)	30.3 (114.7)	30.5 (115.5)
Tilt back	–	–	Tilt back	Tilt back	Tilt back	Tilt back	Tilt back
OPT	–	–	OPT	OPT	OPT	OPT	OPT
OPT	STD	STD	OPT (SJC)	OPT (SJC)	OPT (SJC)	–	OPT (SJC)
–	–	–	OPT (SJC/ACS)	OPT (SJC/ACS)	OPT (SJC/ACS)	–	OPT (SJC/ACS)
STD	–	–	STD	STD	STD	STD	STD
8157 (3700) / 8422 (3820)	7425 (3367)	8740 (3964)	6974 (3163)	7154 (3245)	8061 (3657)	8615 (3908)	8794 (3989)
26.9 (102)	28 (106)	28 (106)	28.3 (107.1)	28.3 (107.1)	23.9 (90.5)	31.7 (120)	23.9 (90.5)
4.2 (16)	10 (38)	10 (38)	–	–	–	–	–

Kubota SSV75	Bobcat S770	Bobcat S850	Case SR240B	Case SR270B	Case SV280B	Case SV340B	CAT 262D3
Kubota V3307-CR-TE4	Doosan	Doosan	FPT F5H FL463 A	FPT F5B FL413 D	FPT F5H FL463 A	FPT F5B FL413 EB002	Cat C3.3B DIT
74.3 (55.4) @2600	92 (68.6) @-	100 (74.6) @-	74 (55) @2500	90 (67) @2500	74 (55) @2500	90 (67) @2500	74.3 (55.4) @-
71.6 (53.4) @2600	-	-	68 (51) @2500	84 (63) @2500	68 (51) @2500	84 (63) @2500	72.9 (54.4) @-
-	-	-	232 (314) @-	282 (383) @-	232 (314) @-	282 (383) @-	195 (264) @-
4	-	-	4	4	4	4	4
203.3 (3331)	-	-	207 (3400)	207 (3400)	207 (3400)	207 (3400)	203 (3300)
Turbocharged	Turbocharged	Turbocharged	Turbocharged	Turbocharged	Turbocharged	Turbocharged	Turbocharged
75.0 (1905)	74 (1880)	80 (2032)	72 (1830)	72 (1830)	72 (1830)	72 (1830)	68 (1730)
71.8 (1823)	72.1 (1832)	79 (2007)	69.6 (1770)	69.8 (1770)	69.6 (1770)	73.8 (1880)	66 (1676)
144.1 (3660)	141.6 (3597)	147.7 (3752)	142.2 (3610)	143.9 (3660)	141.9 (3600)	144.3 (3670)	146.2 (3714)
115 (2920)	114.3 (2903)	119.3 (3030)	117.4 (2980)	118.7 (3010)	117.7 (2990)	119.1 (3020)	117.9 (2995)
81.3 (2065)	81.3 (2065)	83.4 (2118)	78.8 (2000)	78.8 (2000)	78.8 (2000)	80.4 (2040)	83.1 (2110)
24.6	25	27	23.5	23.5	23.5	23.5	26
47.2 (1200)	48.3 (1227)	52.9 (1344)	52 (1320)	52 (1320)	52 (1320)	52 (1320)	49.2 (1249)
8.1 (207)	8.1 (207)	9.4 (240)	8 (200)	8 (200)	8 (200)	9.6 (240)	8.9 (226)
Vertical	Vertical	Vertical	Radial	Radial	Vertical	Vertical	Vertical
2690 (1220)	3350 (1520)	3950 (1792)	2400 (1088)	2700 (1225)	2800 (1270)	3400 (1545)	2700 (1225)
1883 (854)	2345 (1064)	2765 (1254)	1680 (762)	1890 (858)	1960 (889)	2380 (1081)	1890 (857)
5380 (2440)	6700 (3039)	8157 (3700)	4800 (2177)	5400 (2450)	5600 (2540)	6800 (3090)	5400 (2449)
5884 (2669) / 4850 (2200)	-	-	8680 (3940) / 5530 (2500)	8677 (3860) / 6096 (2710)	8776 (3900) / 6011 (2670)	9531 (4240) / 6816 (3030)	7355 (3336) / -
43	42	42	38.1	38.1	53.5	46.7	51
98 (2490)	104.3 (2649)	116.2 (2951)	100.9 (2560)	100.9 (2560)	103.5 (2630)	105.2 (2670)	93.7 (2380)
36.9 (936)	33.6 (853)	30.7 (754)	22.6 (570)	22.2 (560)	29.3 (740)	27.2 (690)	30.9 (786)
128.3 (3258)	131.4 (3338)	144 (3658)	125.1 (3180)	125.1 (3180)	130 (3300)	131.6 (3340)	124.9 (3172)
27	32	-	30.7	30.8	35	35	-
12-16.5-10PR	-	-	12-16.5	12-16.5	12-16.5	14-17.5	12-16.5
100	-	-	100	100	100	100	-
7.4 (11.9) / 11.8 (19.0)	7.1 (11.4) / 12.3 (19.8)	7.1 (11.4) / 12.3 (19.8)	7 (11.3) / 10.5 (16.9)	7 (11.3) / 10.5 (16.9)	7 (11.3) / 10.5 (16.9)	7.7 (12.4) / 11.5 (18.5)	7.7 (12.5) / 11 (17.7)
8494 (3853)	-	-	-	-	-	-	-
20.9 (79)	23 (87.1)	23 (87.1)	24.2 (91.5)	24.2 (91.5)	24.2 (91.5)	24.2 (91.5)	23 (86)
3271 (230)	3500 (241)	3500 (241)	3046 (210)	3046 (210)	3046 (210)	3450 (238)	3335 (234)
20.9 (79)	23 (87.1)	23 (87.1)	24.2 (91.5)	24.2 (91.5)	24.2 (91.5)	24.2 (91.5)	23 (86)
30.4 (115)	36.6 (138.5)	36.6 (138.5)	37.6 (142.5)	37.6 (142.5)	37.6 (142.5)	38.7 (146.5)	32 (121)
Tilt back	Tilt back	Tilt back	Tilt forward	Tilt forward	Tilt forward	Tilt forward	Tilt forward
OPT	OPT	OPT	OPT	OPT	OPT	OPT	OPT
OPT	OPT (SJC)	OPT (SJC)	OPT	OPT	OPT	OPT	OPT
-	OPT (SJC/ACS)	OPT (SJC/ACS)	STD	STD	STD	STD	STD
STD	STD	-	-	-	-	-	OPT
8157 (3700) / 8422 (3820)	9314 (4225)	10237 (4643)	7400 (3350)	8117 (3681)	8000 (3630)	9100 (4136)	8296 (3763)
26.9 (102)	23.9 (90.5)	29.5 (111.6)	25.5 (96.5)	25.5 (96.5)	25.5 (96.5)	25.5 (96.5)	27.7 (104.9)
4.2 (16)	-	-	7 (26.5)	6 (22.7)	6 (22.7)	6.0 (22.7)	10.3 (39)

Kubota SSV75	CAT 272D3	CAT 272D3 XE	Gehl R260	Gehl V270 GEN:2	Gehl V330 GEN:2	Gehl V420	JCB 270
Kubota V3307-CR-TE4	Cat C3.8 DIT	Cat C3.8 DIT	Yanmar 4TNV98CT	Yanmar 4TNV98CT	Yanmar 4TNV98CT	Deutz TCD 3.6	EcoMAX TCAE-55
74.3 (55.4) @2600	98 (73) @-	110 (82) @-	72 (53.7) @2500	72 (53.7) @2500	72 (53.7) @2500	120.7 (90) @2200	74 (55) @2400
71.6 (53.4) @2600	95 (71) @-	106 (79) @-	70.7 (52.7) @2500	70.7 (52.7) @2500	70.7 (52.7) @2500	99 (74) @2200	-
-	246 (334) @-	276 (374) @-	217 (294) @-	217 (294) @-	217 (294) @-	354 (480) @-	295 (400) @-
4	4	4	4	4	4	4	-
203.3 (3331)	232 (3800)	232 (3800)	202.6 (3300)	202.6 (3300)	202.6 (3300)	220 (3.6)	268 (4399)
Turbocharged	Turbocharged	Turbocharged	Turbocharged	Turbocharged	Turbocharged	Turbocharged	Turbocharged
75.0 (1905)	74 (1883)	80 (2036)	70 (1778)	70 (1778)	74 (1880)	84 (2134)	74.8 (1900)
71.8 (1823)	72 (1829)	76 (1930)	65.5 (1664)	69.5 (1765)	72 (1829)	79.5 (2019)	70.8 (1800)
144.1 (3660)	155.7 (3954)	155 (3937)	143 (3632)	148 (3759)	152.5 (3874)	159 (4026)	152 (3800)
115 (2920)	127.6 (3242)	127 (3226)	111.5 (2832)	116.5 (2959)	119 (3023)	123 (3086)	-
81.3 (2065)	82.4 (2094)	84 (2133)	81 (2057)	81 (2057)	82 (2083)	82 (2083)	82.7 (2100)
24.6	27	28	25	25	25	19	29
47.2 (1200)	54.6 (1386)	54.6 (1386)	49.5 (1257)	49.5 (1257)	49.5 (1257)	54.5 (1387)	49.2 (1250)
8.1 (207)	8.9 (226)	10.4 (263)	8 (203)	8 (203)	9 (229)	7.7 (185)	10 (250)
Vertical	Vertical	Vertical	Radial	Vertical	Vertical	Vertical	Vertical
2690 (1220)	3450 (1565)	3700 (1678)	2600 (1179)	2700 (1225)	3300 (1497)	4200 (1905)	2723 (1235)
1883 (854)	2415 (1096)	2590 (1175)	1820 (825)	1890 (858)	2310 (1048)	2940 (1334)	1907 (865)
5380 (2440)	6900 (3130)	7400 (3357)	5200 (2358)	5400 (2450)	6600 (2994)	8400 (3810)	5448 (2471)
5884 (2669) / 4850 (2200)	7443 (3376) / 6074 (2755)	7362 (3339) / 6085 (2760)	-	-	-	-	6543 (2968) / 6056 (2747)
43	51	51	40	42	42	31	42
98 (2490)	96 (2438)	97.4 (2474)	94 (2388)	100 (2540)	98.5 (2502)	114.8 (2916)	90 (2300)
36.9 (936)	30.3 (769)	29 (736)	27 (686)	32 (813)	32 (813)	39.5 (1008)	35.4 (900)
128.3 (3258)	127.1 (3227)	128.6 (3265)	123 (3124)	130.3 (3310)	131.2 (3332)	144 (3653)	126 (3200)
27	-	28	28	29	29	31	30
12-16.5-10PR	12-16.5	14 -17.5	12-16.5	12-16.5	14-17.5	14-17.5	12-16.5 10PR
100	-	-	-	-	-	-	-
7.4 (11.9) / 11.8 (19.0)	6.6 (10.6) / 9.4 (15.1)	7.2 (11.6) / 10.3 (16.6)	8 (12.9) / 11.9 (19.2)	7.4 (12) / 11.9 (19.2)	8.1 (13) / 12.2 (19.6)	6.53 (10.53) / 11.7 (17.3)	6.8 (10.9) / 12.4 (20)
8494 (3853)	-	-	-	-	-	-	-
20.9 (79)	23 (86)	23 (86)	23.5 (90)	23.5 (90)	23.5 (90)	30.1 (114)	-
3271 (230)	3335 (234)	4061 (286)	-	3200 (225)	3200 (225)	-	3335 (234)
20.9 (79)	23 (86)	23 (86)	23.5 (90)	23.5 (90)	23.5 (90)	32 (114)	24 (90)
30.4 (115)	32 (121)	40 (150)	35 (132.5)	35.0 (132.5)	35 (132.5)	40.8 (155)	31.7 (120)
Tilt back	Tilt back	Tilt back	Tilt back	Tilt back	Tilt back	Tilt back	Tilt forward
OPT	OPT	OPT	OPT	OPT	OPT	STD	OPT
OPT	OPT	OPT	OPT	OPT	OPT	OPT	STD
-	STD	STD	OPT	OPT	OPT	OPT	OPT
STD	STD	STD	OPT	OPT	OPT	OPT	-
8157 (3700) / 8422 (3820)	9133 (4142)	9573 (4342)	8200 (3719)	8150 (3697)	9090 (4123)	11665 (5291)	8680 (3937)
26.9 (102)	31.7 (120)	31.7 (120)	21.5 (81.4)	24.5 (92.7)	24.5 (92.7)	40 (152)	27.3 (103.3)
4.2 (16)	10.3 (39)	10.3 (39)	8 (30.3)	10.5 (40.0)	10.5 (40)	16.8 (63.4)	-

Kubota SSV75	JCB 300	JCB TELESKID 3TS-8W	JD 324G	JD 330G	JD 332G	Mustang 2600R	Mustang 2700V NXT2
Kubota V3307-CR-TE4	EcoMAX TCAE-55	EcoMAX TCAE-55	Yanmar 4TNV98CT	Yanmar 4TNV94FHT	Yanmar 4TNV94FHT	Yanmar 4TNV98CT	Yanmar 4TNV98CT
74.3 (55.4) @2600	74 (55) @2400	74 (55) @2400	74 (54.8) @2500	91.2 (68) @2500	100 (74.6) @2500	72 (53.7) @2500	72 (53.7) @2500
71.6 (53.4) @2600	–	–	70 (52.5) @2500	88.5 (66) @2500	96.6 (72) @2500	70.7 (52.7) @2500	70.7 (52.7) @2500
–	295 (400) @–	295 (400) @–	207 (280) @–	281.8 (382) @–	291.3 (395) @–	–	217 (294) @–
4	–	–	4	4	4	4	4
203.3 (3331)	268 (4399)	268 (4399)	203 (3300)	186.3 (3100)	186.3 (3100)	202.6 (3300)	202.6 (3300)
Turbocharged	Turbocharged	Turbocharged	Turbocharged	Turbocharged	Turbocharged	–	–
75.0 (1905)	74.8 (1900)	73(1850)	–	–	–	70 (1778)	70 (1778)
71.8 (1823)	70.8 (1800)	72 (1800)	67 (1700)	78 (1980)	78.4 (1990)	65.5 (1664)	69.5 (1765)
144.1 (3660)	152 (3800)	149 (3785)	136.3 (3460)	146 (3710)	146 (3710)	143 (3632)	148 (3759)
115 (2920)	–	119 (3023)	112.3 (2850)	122 (3100)	122 (3100)	111.5 (2832)	116.5 (2959)
81.3 (2065)	82.7 (2100)	82.7 (2100)	81.1 (2060)	86.3 (2190)	86.3 (2190)	81 (2057)	81 (2057)
24.6	29	29	28	29	29	25	25
47.2 (1200)	49.2 (1250)	59 (1499)	44.2 (1120)	49.9 (1270)	49.9 (1270)	49.5 (1257)	49.5 (1257)
8.1 (207)	10 (250)	9.4 (238)	9.3 (240)	9.7 (250)	9.7 (250)	8 (203)	8 (203)
Vertical	Vertical	Vertical	Vertical	Vertical	Vertical	Radial	Vertical
2690 (1220)	3186 (1445)	3208 (1455)	2690 (1221)	3000 (1362)	3600 (1633)	2600 (1179)	2700 (1225)
1883 (854)	2229 (1011)	2246 (1019)	1883 (855)	2100 (953)	2520 (1144)	1820 (825)	1890 (858)
5380 (2440)	6369 (2889)	6418 (2911)	5380 (2443)	6000 (2724)	7200 (3269)	5200 (2358)	5400 (2450)
5884 (2669) / 4850 (2200)	6543 (2968) / 6056 (2747)	6473 (2936) / 5260 (2386)	8750 (3973) / 5250 (2384)	10300 (4676) / 7000 (3175)	13750 (6243) / 8250 (3746)	–	–
43	42	42	41	48	48	40	42
98 (2490)	90 (2300)	91 (2311)	102.1 (2590)	106.1 (2690)	106.1 (2690)	94 (2388)	100 (2540)
36.9 (936)	35.4 (900)	42 (1067)	29.9 (760)	28 (710)	28 (710)	27 (686)	32 (813)
128.3 (3258)	126 (3200)	126 (3200)	126 (3200)	132 (3350)	132 (3350)	123 (3124)	130.3 (3310)
27	30	30	34	35	35	28	29
12-16.5-10PR	12-16.5 10PR	12-16.5 10PR	12-16.5 12PR	14-17.5-12PR	14-17.5-14PR	12-16.5 HD	12-16.5 HD
100	–	–	–	–	–	–	–
7.4 (11.9) / 11.8 (19.0)	6.8 (10.9) / 12.4 (20)	6.8 (10.9) / 12.4 (20)	6.9 (11.1) / 11.1 (17.9)	7 (11.3) / 12 (19.1)	7 (11.3) / 12 (19.2)	8 (12.9) / 11.9 (19.2)	7.4 (12) / 11.9 (19.2)
8494 (3853)	–	–	7491 (3220)	8610 (3905)	9300 (4218)	–	–
20.9 (79)	24 (90)	24 (90)	21 (78)	23.5 (80)	25 (95)	23.5 (90)	23.5 (89)
3271 (230)	3335 (234)	3335 (234)	3450 (243)	3450 (243)	3450 (243)	–	–
20.9 (79)	24 (90)	24 (90)	21 (78)	23.5 (80)	25 (95)	23.5 (90)	23.5 (89)
30.4 (115)	32 (135)	32 (135)	32 (120)	36.5 (138)	41.1 (156)	35 (132.5)	35 (132)
Tilt back	Tilt forward	Tilt forward	–	–	–	Tilt back	Tilt back
OPT	OPT	–	OPT	OPT	OPT	OPT	OPT
OPT	STD	STD	OPT	STD	STD	OPT	OPT
–	OPT	OPT	OPT	OPT	OPT	OPT	OPT
STD	–	–	STD	OPT	OPT	OPT	OPT
8157 (3700) / 8422 (3820)	9288 (4213)	9859 (4472)	7700 (3496)	9900 (4495)	10000 (4540)	8200 (3719)	8150 (3697)
26.9 (102)	27.3 (103.3)	27.2 (103)	21 (79)	25.5 (96.5)	25.5 (96.5)	21.5 (81.4)	24.5 (92.7)
4.2 (16)	–	14.5 (55)	–	–	–	8 (30.3)	10.5 (40)

Kubota SSV75	Mustang 3300V NXT2	Mustang 4200V	NH L228	NH L328	NH L230	NH L234	NH L334
Kubota V3307-CR-TE4	Yanmar 4TNV98CT	Deutz TCD 3.6	FPT F5H FL463AF001	FPT F5H FL463AF001	FPT F5BF413E*B002	FPT F5BF413E*B002	FPT F5BF413E*B002
74.3 (55.4) @2600	72 (53.7) @2500	120 (89.5) @2200	74 (55) @2500	74 (55) @2500	90 (67) @2500	90 (67) @2500	90 (67) @2500
71.6 (53.4) @2600	70.7 (52.7) @2500	–	68 (51) @2800	68 (51) @2800	84 (63) @2500	84 (63) @2500	84 (63) @2500
–	217 (294) @–	354 (480) @–	232 (314) @–	232 (314) @–	282 (383) @–	282 (383) @–	282 (383) @–
4	4	4	4	4	4	4	4
203.3 (3331)	202.6 (3300)	220 (3600)	207 (3400)	207 (3400)	207 (3400)	207.5 (3400)	207.5 (3400)
Turbocharged	–	–	Turbocharged	Turbocharged	Turbocharged	Turbocharged	Turbocharged
75.0 (1905)	74 (1880)	84 (2134)	72 (1830)	72 (1830)	–	–	–
71.8 (1823)	72 (1829)	79.5 (2019)	69.6 (1768)	69.8 (1773)	76 (1930)	76 (1930)	76 (1930)
144.1 (3660)	152.5 (3874)	158.5 (4026)	142.9 (3631)	142.9 (3631)	–	144 (3659)	144 (3659)
115 (2920)	119 (3023)	121.5 (3086)	117.8 (2993)	117.8 (2993)	118.9 (3021)	118.9 (3021)	118.9 (3021)
81.3 (2065)	82 (2083)	82 (2083)	78.8 (2002)	78.8 (2002)	80.4 (2042)	80.4 (2042)	80.4 (2042)
24.6	25	19	24	24	26.5	27	27
47.2 (1200)	49.5 (1257)	54.6 (1387)	52 (1322)	52 (1322)	52 (1322)	52 (1322)	52 (1322)
8.1 (207)	9 (229)	–	8 (203)	8 (203)	9.5 (243)	9.5 (243)	9.5 (243)
Vertical	Vertical	Vertical	Vertical	Vertical	Vertical	Vertical	Vertical
2690 (1220)	3300 (1497)	4200 (1905)	2800 (1270)	2800 (1270)	3000 (1360)	3400 (1542)	3400 (1542)
1883 (854)	2310 (1050)	2940 (1334)	1960 (2520)	1960 (2520)	2100 (953)	2380 (1080)	2380 (1080)
5380 (2440)	6600 (2994)	8400 (3810)	5600 (2540)	5600 (2540)	6000 (2722)	6800 (3084)	6800 (3084)
5884 (2669) / 4850 (2200)	–	–	8620 (3830) / 6030 (2730)	8620 (3830) / 6030 (2730)	8620 (3830) / 6350 (2820)	9323 (4150) / 6918 (3080)	9323 (4150) / 6918 (3080)
43	42	31	55	55	54.7	48	48
98 (2490)	98.5 (2502)	114.8 (2916)	102.9 (2615)	103.1 (2618)	–	104.5 (2655)	104.5 (2655)
36.9 (936)	32 (813)	39.5 (1003)	32.3 (821)	32.3 (821)	30.7 (781)	30.7 (781)	30.7 (781)
128.3 (3258)	131.2 (3332)	144 (3653)	129.4 (3287)	129.4 (3287)	131 (3327)	131 (3327)	131 (3327)
27	29	31	34	34	32.8	33	33
12-16.5-10PR	14-17.5 HD	14-17.5 HD	12-16.5	12-16.5	12-16.5	–	–
100	–	–	100	100	100	100	100
7.4 (11.9) / 11.8 (19.0)	8.1 (13) / 12.2 (19.6)	6.5 (10.5) / 11.2 (18)	7 (11.3) / 10.5 (16.9)	7 (11.3) / 10.5 (16.9)	7.7 (12.4) / 11.5 (18.5)	7.7 (12.4) / 11.5 (18.5)	7.7 (12.4) / 11.5 (18.5)
8494 (3853)	–	–	–	–	–	–	–
20.9 (79)	23.5 (89)	32 (121)	24.2 (91.5)	24.2 (91.5)	24.2 (91.5)	24.2 (91.5)	24.2 (91.5)
3271 (230)	–	3500 (241)	3046 (210)	3046 (210)	3046 (210)	3450 (238)	3450 (238)
20.9 (79)	23.5 (89)	32 (121)	24.2 (91.5)	24.2 (91.5)	24.2 (91.5)	24.2 (91.5)	24.2 (91.5)
30.4 (115)	35 (132)	40.8 (154)	37.6 (142.5)	37.6 (142.5)	37.6 (142.5)	37.6 (142.5)	37.6 (142.5)
Tilt back	Tilt back	Tilt back	Tilt forward	Tilt forward	Tilt forward	Tilt forward	Tilt forward
OPT	OPT	–	OPT	OPT	OPT	OPT	OPT
OPT	OPT	STD	OPT	OPT	OPT	OPT	OPT
–	OPT	–	OPT	OPT	OPT	OPT	OPT
STD	OPT	–	STD	STD	STD	STD	STD
8157 (3700) / 8422 (3820)	9090 (4123)	11665 (5291)	8245 (3740)	7895 (3580)	8735 (3962)	8900 (4045)	8900 (4045)
26.9 (102)	24.5 (92.7)	31.3 (118)	25.5 (96.5)	25.5 (96.5)	–	25.5 (96.5)	25.5 (96.5)
4.2 (16)	10.5 (40)	16.8 (63)	6 (22.7)	–	–	–	–

Kubota SSV75	Takeuchi TS80R2	Takeuchi TS80V2	Wacker Neuson SW24	Wacker Neuson SW24 Series II	Wacker Neuson SW28	Wacker Neuson SW28 Series II	
Kubota V3307-CR-TE4	Deutz TD2.9L4	Deutz TD2.9L4	Perkins 854	Kohler KDI 3404TCR	Perkins 854	Kohler KDI 3404TCR	
74.3 (55.4) @2600	74 (55) @2600	74 (55) @2600	74.3 (55.4) @--	74 (55) @2500	74.3 (55.4) @--	74 (55) @2500	
71.6 (53.4) @2600	--	--	--	--	--	--	
--	192 (260) @--	192 (260) @--	--	--	--	--	
4	4	4	4	4	4	4	
203.3 (3331)	177 (2900)	177 (2900)	--	205 (3359)	--	205 (3359)	
Turbocharged	Turbocharged	Turbocharged	Turbocharged	Turbocharged	Turbocharged	Turbocharged	
75.0 (1905)	--	--	74 (1897)	72 (1846)	75 (1897)	72 (1846)	
71.8 (1823)	72 (1828)	72 (1828)	72 (1846)	70 (1778)	72 (1846)	70 (1778)	
144.1 (3660)	148 (3696)	148.3 (3708)	144 (3692)	144 (3662)	145 (3692)	144 (3662)	
115 (2920)	113 (2832)	110.5 (2763)	116 (2948)	116 (2948)	117 (2974)	116 (2948)	
81.3 (2065)	84 (2134)	84 (2134)	82 (2080)	82 (2080)	83 (2102)	82 (2080)	
24.6	24	24	--	--	--	--	
47.2 (1200)	48.9 (1245)	48.9 (1245)	46 (1179)	46 (1179)	46 (1179)	46 (1179)	
8.1 (207)	10.5 (267)	10.5 (267)	9.5 (243)	9.5 (243)	9.6 (243)	9.5 (243)	
Vertical	Radial	Vertical	Radial	Radial	Vertical	Vertical	
2690 (1220)	2825 (1281)	3500 (1588)	2350 (1065)	2400 (1089)	2800 (1270)	2800 (1270)	
1883 (854)	1980 (900)	2450 (1112)	1645 (746)	1680 (762)	1960 (890)	1960 (890)	
5380 (2440)	5650 (2562)	7000 (3175)	4700 (2130)	4800 (2178)	5600 (2540)	5600 (2540)	
5884 (2669) / 4850 (2200)	5845 (2651) / 7080 (3211)	5920 (2685) / 6200 (2812)	--	--	--	6941 (3148) / 8200 (3179)	
43	34	39	45	44	38	38	
98 (2490)	102 (2540)	104.6 (2616)	95.2 (2441)	99.8 (2534)	108.1 (3435)	107.1 (2720)	
36.9 (936)	36 (914)	36 (914)	--	--	--	--	
128.3 (3258)	127 (3175)	132 (3302)	125 (3205)	126.8 (3220)	134 (3435)	134 (3435)	
27	30	30	--	--	--	--	
12-16.5-10PR	12-16.5 HD	12-16.5 HD	12-16.5	12-16.5	12-16.5	12-16.5	
100	100	100	--	--	--	--	
7.4 (11.9) / 11.8 (19.0)	8.2 (13.1) / 11 (17.7)	8.2 (13.1) / 11 (17.7)	6.8 (10.9) / 11.2 (18)	7.2 (11.6) / 12 (19.3)	6.2 (10.9) / 11.2 (18)	7.2 (11.6) / 12 (19.3)	
8494 (3853)	8700 (3946)	8700 (3946)	--	--	--	--	
20.9 (79)	21.5 (81)	26 (98.4)	22.5 (86.5)	22.1 (83.8)	22.4 (86.5)	22.1 (83.8)	
3271 (230)	3335 (234.5)	3335 (234.5)	3336 (230)	3500 (241)	3336 (230)	3500 (241)	
20.9 (79)	21.5 (81)	26 (98.4)	22.5 (86.5)	22.1 (83.8)	22.4 (86.5)	22.1 (83.8)	
30.4 (115)	31 (117.3)	31 (117.3)	36 (138)	31.7 (120)	36 (138)	31.7 (120)	
Tilt back	Tilt back	Tilt back	Tilt forward	Tilt forward	Tilt forward	Tilt forward	
OPT	--	--	--	--	OPT	--	
OPT	STD	STD	STD	STD	OPT	STD	
--	--	--	OPT	OPT	OPT	OPT	
STD	--	--	--	--	--	--	
8157 (3700) / 8422 (3820)	7950 (3606)	8965 (4066)	7865 (3567)	7840 (3556)	8283 (3757)	8175 (3708)	
26.9 (102)	28 (106)	28 (106)	24.3 (93)	40 (151)	24.3 (93)	40 (151)	
4.2 (16)	10 (37.8)	10 (38)	--	--	--	--	

