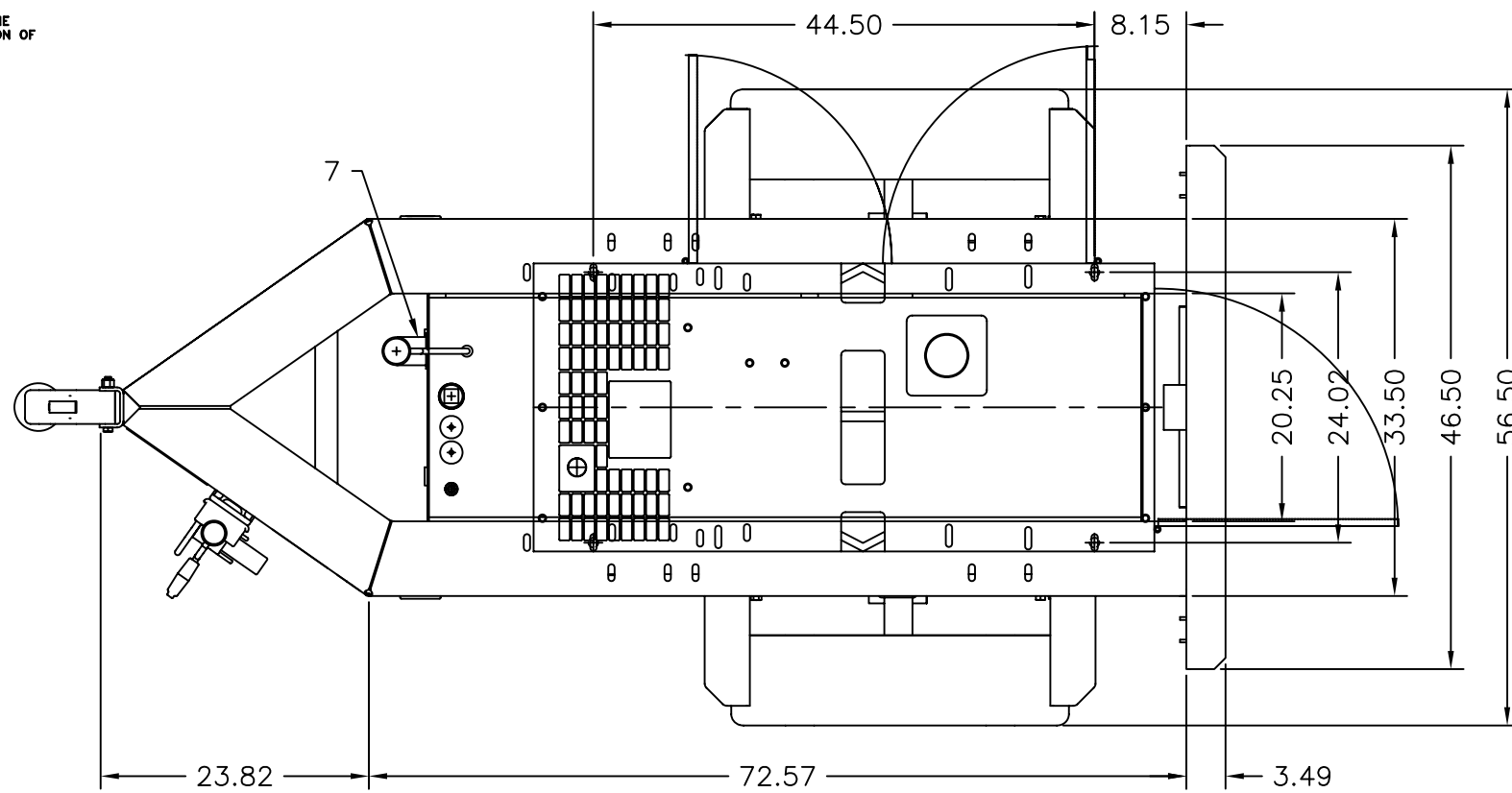


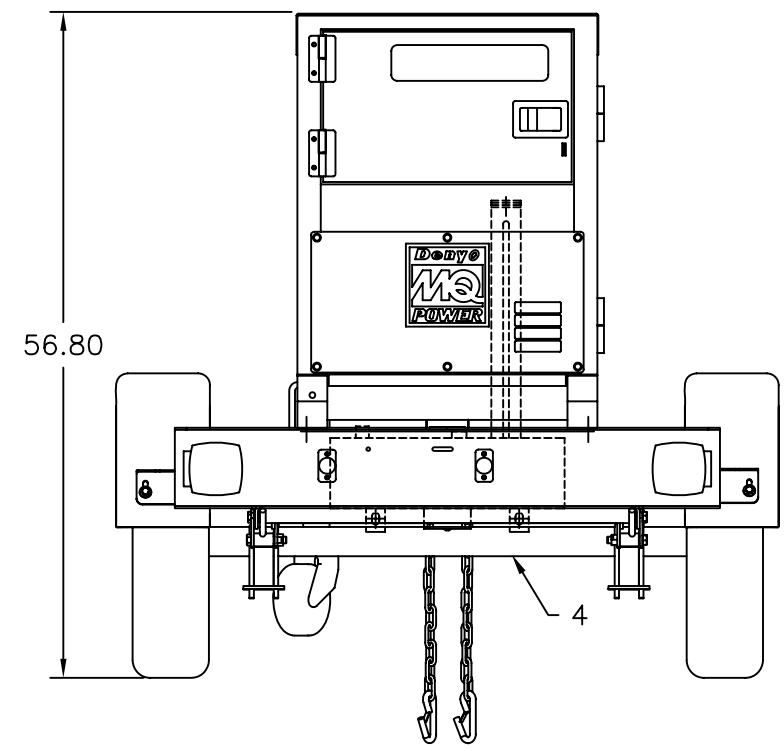
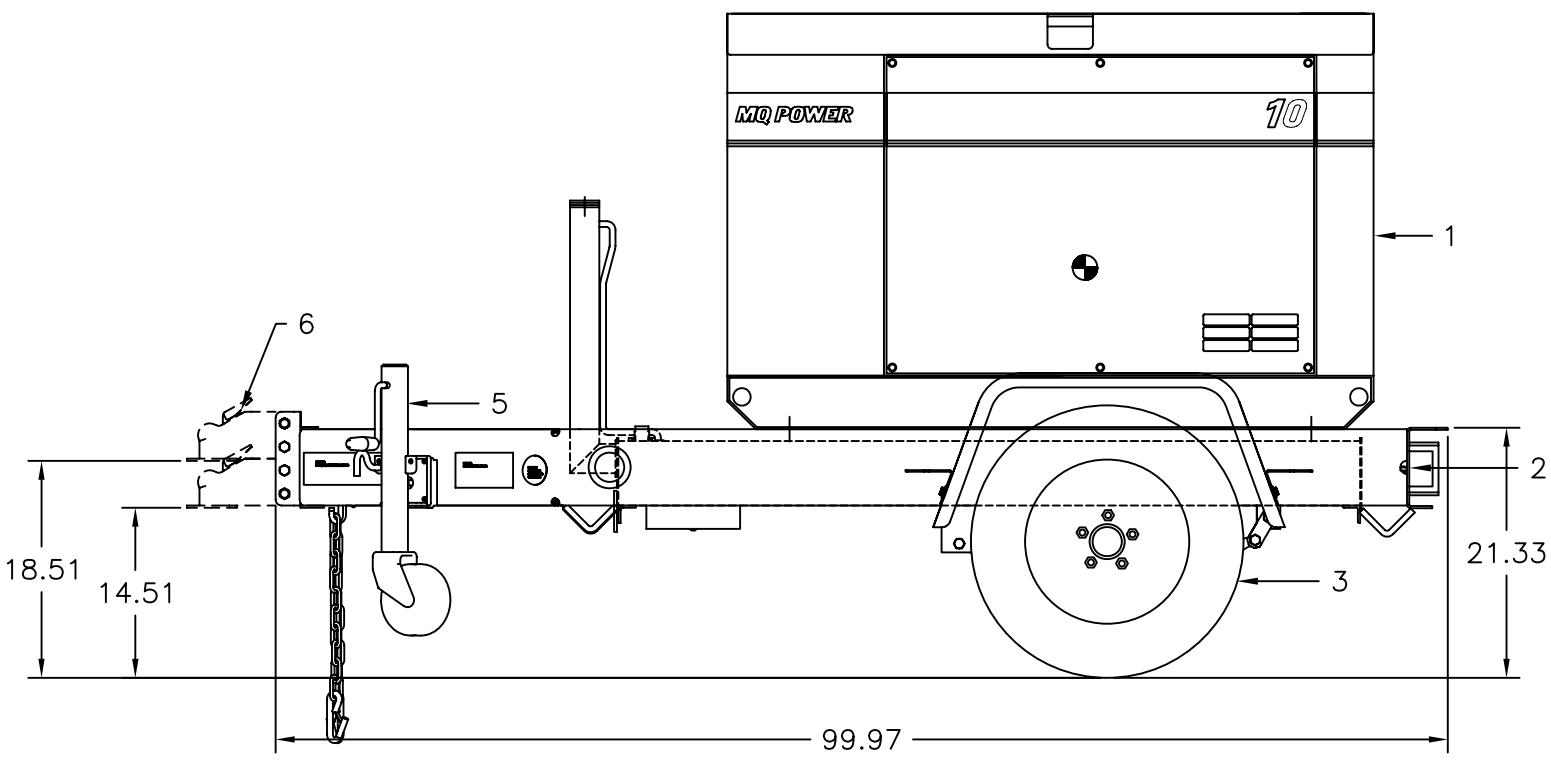
THIS DRAWING AND THE DATA DISCLOSED HEREIN OR HEREWITH IS CONFIDENTIAL AND PROPRIETARY AND IS NOT TO BE REPRODUCED, USED, OR DISCLOSED IN WHOLE OR IN PART TO ANYONE WITHOUT THE EXPRESSED WRITTEN PERMISSION OF MULTIQIP COMPANY.

DWG. NO. 200203

REVISION G



PART LISTS				
ITEM	PART NUMBER	QTY	DESCRIPTION	MANUFACTURE
1	DCA10SPX4	1	10KVA GENSET 10SPX4 GENSET WEIGHT (APPROX.): 1,107lbs	DENYO
2	TRLR10MP-XF	1	TRAILER (MODEL:TRLRMP-XF) TRAILER WT. ONLY: 347lbs G.V.W.R.: 2,000lbs TONGUE WT.: OVERALL DIMENSION: 100L X 57W X 57H	WHITEMAN
3		2	TIRE: ST175/80-13C WHEEL: 13 X 4.5	
4		1	AXLE: 2000lbs, NO BRAKING MECHANISM	
5		1	JACK, 2K	
6		1	2" BALL CLASS	
7		1	FUEL TANK CAPACITY: 28GAL.	TRANSFER FLOW



UNLESS OTHERWISE SPECIFIED DIMENSIONS ARE IN INCHES TOLERANCES ARE :		CUSTOMER		<b>MQ POWER</b> TEL: (310) 537-3700/FAX: (310) 632-2656 18910 WILMINGTON AVENUE CARSON, CA 90746			
FRACTIONS	DECIMALS	ANGLES	JOB NO.				
±	.XX ±	±					
	.XXX ±						
DERIVED FROM		MATERIAL		APPROVALS		DATE	
REV	DATE	FINISH		DRAWN		DATE	
G	12/07/07	DO NOT SCALE DRAWING		J. TRAN		6-20-01	
CAD CODE 200203G				CHECKED		SIZE	
				J. ROSE		D	
				SALESMAN		SCALE	
						1/8	
						DWG. NO. 200203	
						SHEET 1 / 1	

DWG. NO. 200203

REVISION G