

# **DC DRUM CUTTER**

Your choice for rock, concrete, or hard soil. Applications include surface profiling, trenching, frozen soil, excavation, and demolition.



*Atlas Copco*



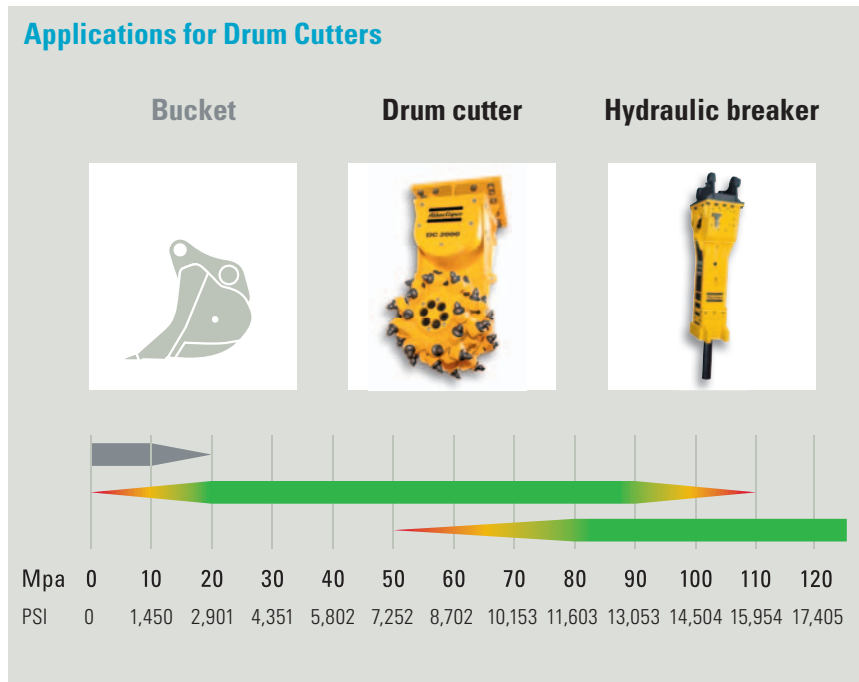
# Drum Cutters are your economic solution when conventional excavation methods are insufficient and percussion systems are inadequate to achieve your desired result.

Our Drum Cutters are an excellent choice for rock, concrete, or hard soil. Applications include surface profiling, trenching, frozen soil, excavation and demolition.

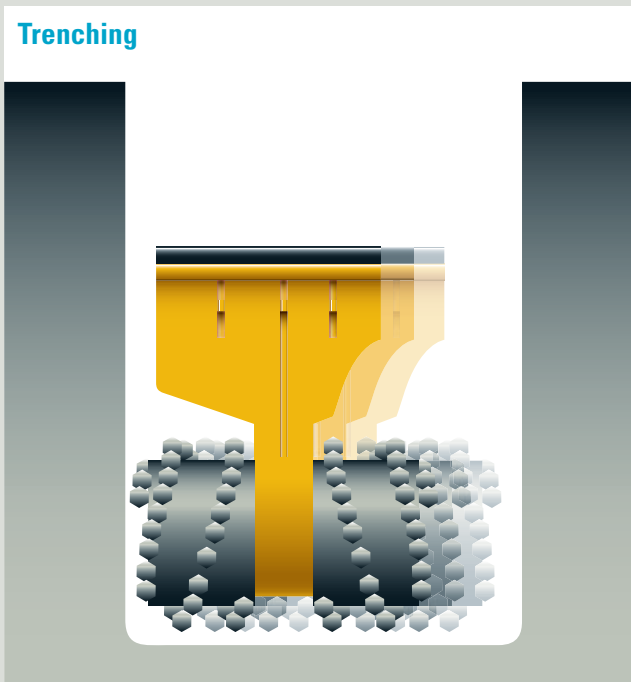
They can be **used underwater to a depth of 98 feet** without additional installation.

Due to small grain sizes, cut rock or concrete can be **used as back-fill material** without additional crushing.

**Low noise and vibration levels** make our Drum Cutters suitable for use on restricted jobsites and in sensitive urban areas.

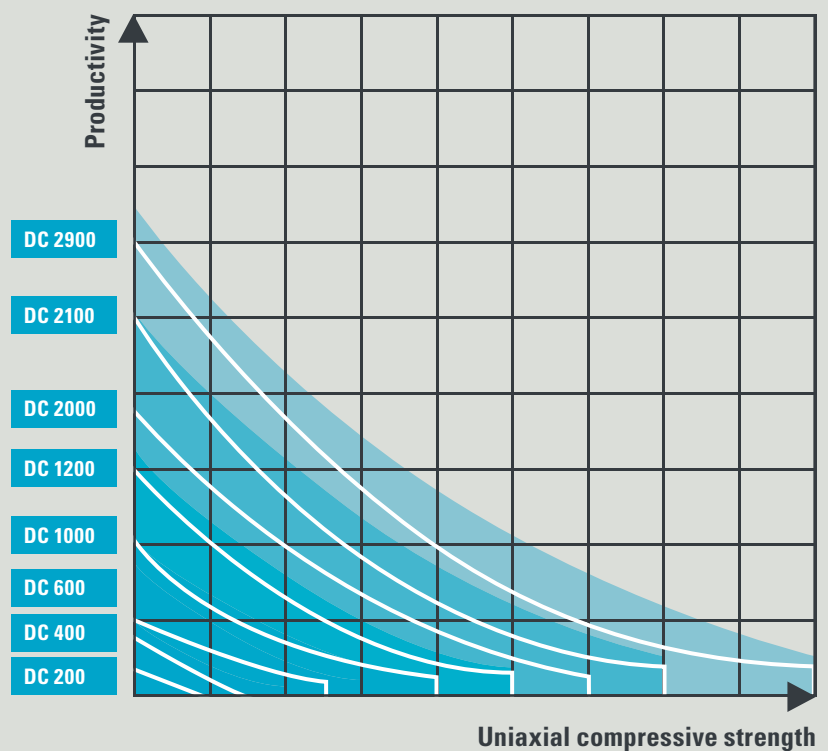


The drum cutting technology used allows **accurate removal of material** in tunnels and trenches, and from any other kind of rock or concrete surface.



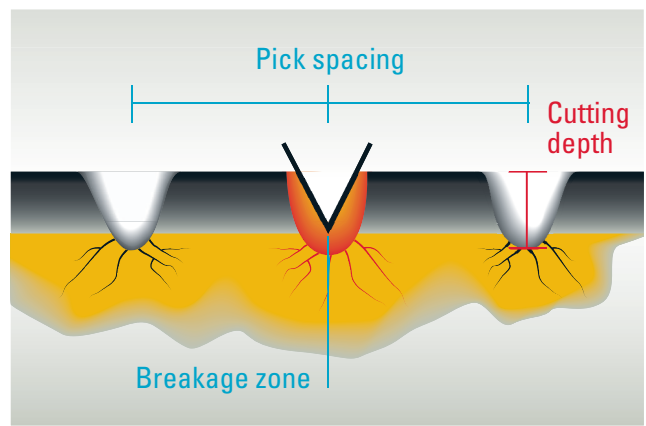
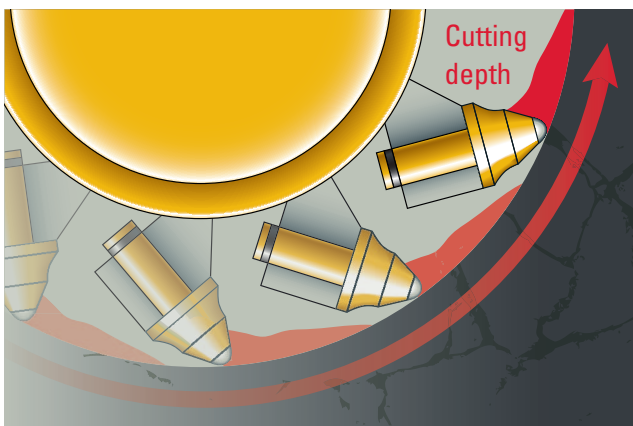
The productivity of our Drum Cutters depends on various factors, including the material type and specific parameters, such as compressive strength, fracture characteristics, carrier type and settings, and the overall operating conditions.

The chart illustrates the productivity per model size dependent on the uniaxial compressive strength.

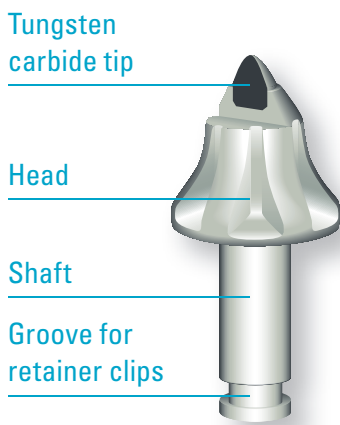


A high torque hydraulic motor transmits power through robust spur gears to the drive shaft to rotate the lubrication-free cutter drums. While the cutter drums are pressed against suitable rock or concrete, the picks will penetrate and remove material through a

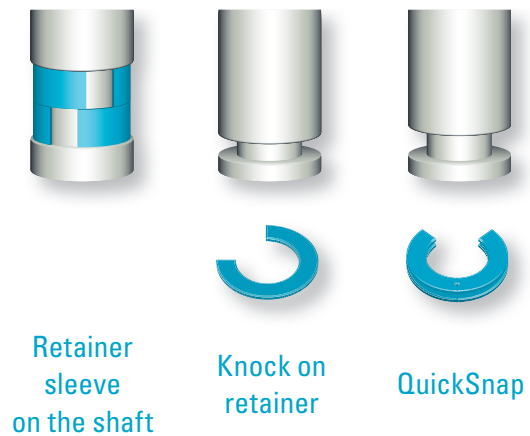
combination of crushing and cutting action. The optimized spiral pick pattern, with sufficient spacing between each individual pick, allows the picks to share the work and ensures that the material is removed evenly from the surface to be cut.



The wear-resistant tungsten carbide tip is brazed into a heat-treated steel body to withstand extreme stresses and impact.

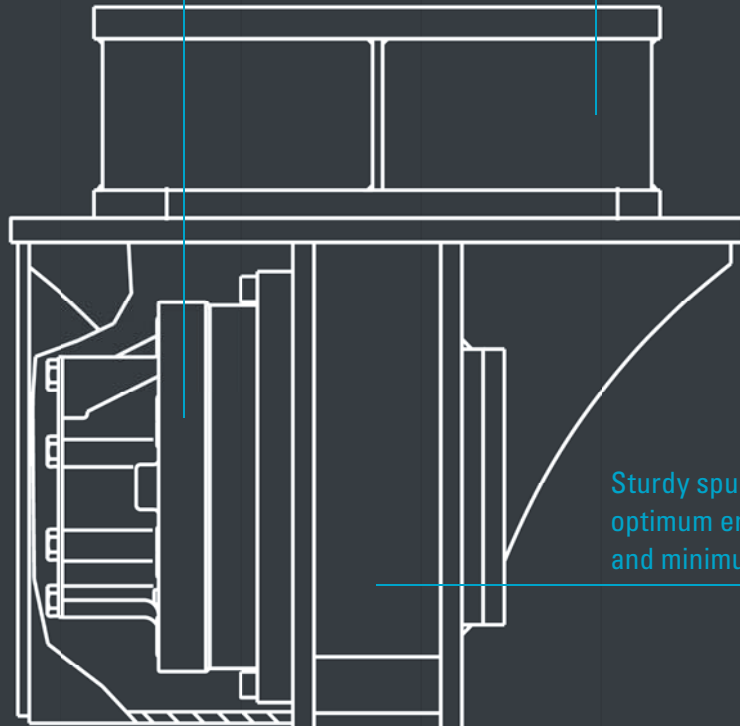


Various retaining systems ensure that picks are locked into the pick boxes.



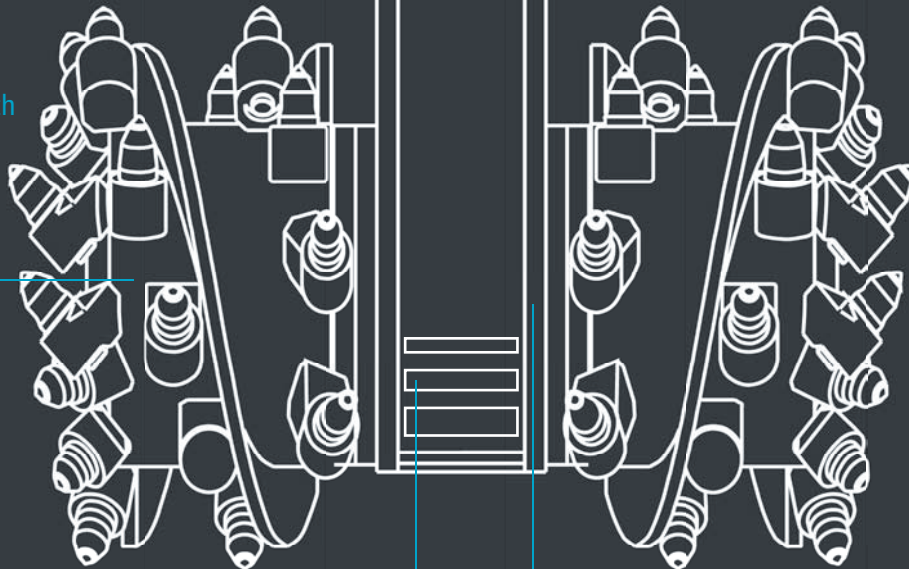
High torque gear motor  
for higher productivity  
and motor durability

Mechanical 360° rotatable  
upper part with central fixing bolt  
for easy positioning of drum cutter



Sturdy spur gears for  
optimum energy transmission  
and minimum service

Cutter drum with  
optimized pick  
pattern for  
higher pro-  
ductivity



Robust housing design with  
HARDOX wear protection for  
higher uptime

High load resistant output shaft  
bearing system with lubrication-  
free slide ring seal system

Technical data		DC 200	DC 400	DC 600	DC 1000	DC 1200	DC 2000
Carrier weight class <sup>1</sup>	lbs	2,205 – 6,615	6,615 – 15,435	17,635 – 33,070	22,045 – 39,685	33,070 – 50,700	44,000 – 77,160
Service weight <sup>2</sup>	lbs	440	880	1,325	2,205	2,645	4,410
Nominal Power	hp	24	40	60	87	107	161
Total length (A)	in	24.02	31.69	37.99	44.49	47.24	55.91
Total width cutting head (B)	in	18.90	24.02	26.77	30.71	31.50	34.65
Diameter of cutter drum (C)	in	8.86	14.57	17.72	22.64	22.64	26.38
Oil flow rate	gpm	8 – 16	13 – 24	20 – 33	29 – 45	37 – 66	50 – 84
Maximum operating pressure	psi	5,075	5,075	5,075	5,075	5,075	5,075
Rotational speed	rpm	115 – 235	90 – 160	80 – 135	60 – 90	60 – 110	60 – 110
Pick speed	fps	5.2 – 10.2	4.9 – 8.9	5.6 – 9.2	5.9 – 8.9	5.9 – 10.8	6.9 – 11.8
Number of picks	pc	60	64	44	48	48	44
Maximum Cutting force@5,075 psi	lbs	2,835	4,000	5,845	8,140	10,950	11,735
Maximum Torque@5,075 psi	ft lbs	1,900	4,200	7,050	14,100	18,980	23,725
Maximum rock hardness	psi	2,900	3,625	5,800	7,250	8,700	10,150

<sup>1</sup> Weights apply to standard carriers only. Any variances must be agreed with Atlas Copco and/or the carrier manufacturer prior to attachment.

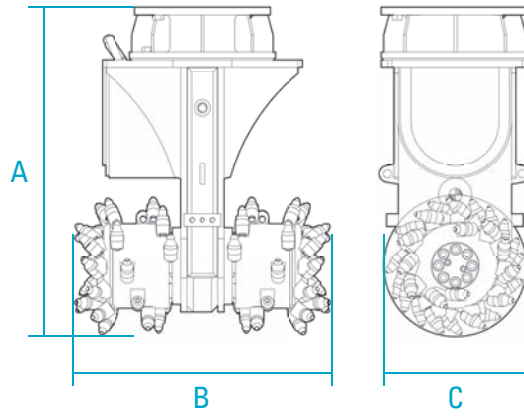
<sup>2</sup> With medium-sized adapter plate



Model	DC 200	DC 400	DC 600	DC 1000/DC 1200
Standard pick				
Retainer				



DC 2100	DC 2900
55,115 – 88,185	77,160 – 110,230
4,630	6,395
161	215
55.91	62.20
39.39	48.82
26.38	26.77
50 – 84	73 – 108
5,075	5,075
45 – 85	55 – 85
5.2 – 8.9	6.6 – 9.5
48	56
15,715	18,390
31,720	37,685
11,600	14,500



DC 2000/DC 2100	DC 2900



## ***COMMITTED TO SUSTAINABLE PRODUCTIVITY***

We stand by our responsibilities towards our customers,  
towards the environment and the people around us.  
We make performance stand the test of time.  
This is what we call – Sustainable Productivity.

3390 0675 93 – Copyright Atlas Copco Construction Tools GmbH, Essen, Germany.  
We reserve the right to change specifications without notice. 03.2014

[www.atlascopco.com](http://www.atlascopco.com)

The Atlas Copco logo consists of the brand name "Atlas Copco" in a stylized, italicized serif font. It is centered between two horizontal teal bars of equal length.

*Atlas Copco*