

## ENGINE

Model	Isuzu AM-4JJ1X Cooled EGR
Emissions Certification	Tier 4 Interim
Fuel	Requires ultra low-sulfur fuel B5 biodiesel tolerant
Type	Water-cooled, 4-cycle, high pressure common rail system. Turbo-charged w/ air cooled intercooler, DPD system
Cylinders	4-cylinder in-line
Displacement	183 in <sup>3</sup> (3.0 L)
Bore/Stroke	4 x 4 in (95.4 x 104.9 mm)
Fuel injection	Direct injection – electronic
Fuel filter	Replaceable, full flow spin-on cartridge
Air filter	Dry type element w/ warning restriction indicator
Oil filter	Replaceable, full flow spin-on cartridge
Engine gradeability:	
Side-to-side	35°
Fore and aft	35°
Net horsepower – SAE J1349 @ 2000 RPM:	100 hp (74.9 kW)
Net max. torque – SAE J1349 @ 1600 RPM:	265 lb-ft (359 N·m)
Cooling operating range:	109° to -13° F (43° to -25° C)
Oil	Requires low-ash oil CJ-4

## DRIVETRAIN

Travel control	Dual stage relief/ counter balance design
Brakes	Mechanical disc
Service brakes	SAHR disc – each motor
Two speed travel:	
Max. high speed	3.5 mph (5.6 kph)
Max. low speed	2.0 mph (3.2 kph)
Automatic downshift	
Drawbar pull	26,078 lb (116 kN)
Gradeability	70% – 35° slope

## ELECTRICAL

Voltage	24 Volts
Alternator rating	50 amp
Batteries	2 x 12 Volt
Battery reserve capacity	72 Ah / 5 hour
Work lights	24 Volt
1 boom	70 watt
1 upper	70 watt
2 cab	70 watt

## OPERATOR ENVIRONMENT

Air-conditioner output	13,492 BTU/hr
Heater output	12,897 BTU/hr
Sound level inside cab – ISO6395	70 dBA
Electrical outlet	12 Volt
Cab interior light	10 watt
Rear view camera	Standard
Seat	Air-suspension

## ATTACHMENT

Boom	15 ft 6 in (4 720 mm)
Arm	8 ft 2 in (2 500 mm)
Bucket digging force	20,233 lb-ft (90 kN)
w/ Auto Power-Boost	21,357 lb (95 kN)

NOTE: \*Digging force ratings based on ISO6015

## OPERATING WEIGHT

Operating weight	31,967 lb (14 500 kg)
w/ shoes	2 ft 0 in (600 mm)
w/ boom	15 ft 2 in (4 630 mm)
w/ arm	8 ft 2 in (2 500 mm)
w/ bucket	882 lb (400 kg)
w/ counterweight	8,157 lb (3 700 kg)

NOTE: w/ operator / full fuel / standard equipment

## GROUND PRESSURE

@ Standard operating weight 5.2 psi (0.36 bar)  
w/ 23.6 in (600 mm) triple semi-grouser shoes

## HYDRAULICS

System design	Open center
Main pumps	Two variable displacement/ axial pistons
Max. rated flow	34.1 gpm (129 L/min)
System pressures:	
Boom, arm and bucket	4,975 psi (343 bar)
w/ Power Boost	5,337 psi (368 bar)
Travel circuits	4,975 psi (343 bar)
Swing circuits	4,148 psi (286 bar)
Pilot pump	1 x gear design
Max. capacity	5.3 gpm (20 L/min)
Controls	w/ boom/arm holding valve
Right track travel, bucket, boom and arm acceleration.	Four-spool section
Left track travel, bucket, boom and arm acceleration.	Five-spool section
Work mode selections	SP: Speed priority H: Heavy duty A: Automatic

## HYDRAULICS (cont.)

Swing motor	Fixed displacement axial piston
Swing final drive	Planetary gear reduction
Travel motor	Two-speed independent travel/axial piston

## HYDRAULIC CYLINDERS

Boom cylinders	Two (2)
Cylinder bore	4.1 in (105 mm)
Cylinder rod diameter	3.0 in (75 mm)
Cylinder stroke	44.1 in (1 120 mm)
Arm cylinder	One (1)
Cylinder bore	4.5 in (115 mm)
Cylinder rod diameter	3.1 in (79 mm)
Cylinder stroke	43.6 in (1 108 mm)
Bucket cylinder	One (1)
Cylinder bore	3.7 in (95 mm)
Cylinder rod diameter	2.6 in (65 mm)
Cylinder stroke	34.7 in (881 mm)

## SERVICE CAPACITIES

Fuel tank	53 gal (200 L)
Hydraulic system	42 gal (158 L)
Hydraulic tank	20 gal (75 L)
Engine oil w/ filter	4 gal (17 L)
Swing drive	3.2 qt (3 L)
Final drive	2.2 qt (2.1 L)
Cooling system	4 gal (15.3 L)

## OTHER SPECIFICATIONS

Swing speed	0 – 10.6 RPM
Swing torque	27,290 lb-ft (37 000 N·m)
Swing brake	Mechanical disc
Undercarriage:	
Length	12 ft 4 in (3 760 mm)
Track gauge	6 ft 6 in (1 990 mm)
Carrier rollers	2
Track rollers	7
Shoes – triple grouser	47
Shoe width – std.	2 ft 0 in (600 mm)
Link pitch	7 in (172 mm)
Track:	
Chain	Grease lubricated/strutted
Guides	Single
Adjustment	Hydraulic

## CX145C SR LIFTING CAPACITIES WITH BUCKET

8 ft 2 in (2.50 m) Lift capacities using a 900 lb (408 kg) bucket, 8,160 lb (3 700 kg) counterweight.

Load (Lift Point Height)	5 ft (1.5 m)		10 ft (3 m)		15 ft (4.5 m)		20 ft (6 m)		25 ft (7.5 m)		MAXIMUM REACH			
	END	SIDE	END	SIDE	END	SIDE	END	SIDE	END	SIDE	@	END	SIDE	
+25 ft (7.5 m)					4,850 lb* (2 200 kg)*	4,850 lb* (2 200 kg)*						16 ft 8 in (5.08 m)	2,950 lb* (1 338 kg)*	2,950 lb* (1 338 kg)*
+20 ft (6 m)					6,350 lb* (2 880 kg)*	6,350 lb* (2 880 kg)*	4,800 lb* (2 177 kg)*	4,800 lb* (2 177 kg)*				21 ft 9 in (6.63 m)	2,500 lb* (1 134 kg)*	2,500 lb* (1 134 kg)*
+15 ft (4.5 m)					8,050 lb* (3 651 kg)*	7,700 lb (3 493 kg)	6,400 lb* (2 903 kg)*	4,750 lb (2 155 kg)				24 ft 7 in (7.49 m)	2,350 lb* (1 066 kg)*	2,350 lb* (1 066 kg)*
+10 ft (3 m)	28,250 lb* (12 814 kg)*	28,250 lb* (12 814 kg)*	15,700 lb* (7 121 kg)*	14,250 lb (6 464 kg)	10,350 lb (4 695 kg)	7,350 lb (3 334 kg)	6,400 lb (2 903 kg)	4,550 lb (2 064 kg)	4,350 lb (1 973 kg)	3,050 lb (1 383 kg)		26 ft 0 in (7.92 m)	2,350 lb* (1 066 kg)*	2,350 lb* (1 066 kg)*
+5 ft (1.5 m)			19,750 lb (8 958 kg)	12,900 lb (5 851 kg)	9,800 lb (4 445 kg)	6,850 lb (3 107 kg)	6,150 lb (2 790 kg)	4,300 lb (1 950 kg)	4,250 lb (1 928 kg)	2,950 lb (1 338 kg)		26 ft 3 in (8.00 m)	2,500 lb* (1 134 kg)*	2,500 lb* (1 134 kg)*
Groundline	6,250 lb* (2 835 kg)*	6,250 lb* (2 835 kg)*	18,500 lb (8 391 kg)	11,900 lb (5 398 kg)	9,300 lb (4 218 kg)	6,400 lb (2 903 kg)	5,900 lb (2 676 kg)	4,100 lb (1 860 kg)	4,150 lb (1 882 kg)	2,850 lb (1 293 kg)		25 ft 6 in (7.77 m)	2,800 lb* (1 270 kg)*	2,750 lb (1 247 kg)
-5 ft (-1.5 m)	11,500 lb* (5 216 kg)*	11,500 lb* (5 216 kg)*	18,450 lb (8 369 kg)	11,800 lb (5 352 kg)*	9,100 lb (4 128 kg)	6,200 lb (2 812 kg)	5,800 lb (2 631 kg)	4,000 lb (1 814 kg)				23 ft 8 in (7.21 m)	3,350 lb* (1 520 kg)*	3,100 lb (1 406 kg)
-10 ft (-3 m)	18,300 lb* (8 301 kg)*	18,300 lb* (8 301 kg)*	17,300 lb* (7 847 kg)*	12,050 lb (5 466 kg)	9,200 lb (4 173 kg)	6,300 lb (2 858 kg)	5,900 lb (2 676 kg)	4,100 lb (1 860 kg)				20 ft 5 in (6.22 m)	4,650 lb* (2 109 kg)*	3,950 lb (1 792 kg)
-15 ft (-4.5 m)			9,400 lb* (4 264 kg)*	9,400 lb* (4 264 kg)*	5,000 lb* (2 268 kg)*	5,000 lb* (2 268 kg)*						15 ft 1 in (4.59 m)	4,750 lb* (2 155 kg)*	4,750 lb* (2 155 kg)*

9 ft 10 in (3.01 m) Lift capacities using a 750 lb (340 kg) bucket, 8,160 lb (3 700 kg) counterweight.

Load (Lift Point Height)	0 ft (0 m)		5 ft (1.5 m)		10 ft (3 m)		15 ft (4.5 m)		20 ft (6 m)		25 ft (7.5 m)		MAXIMUM REACH			
	END	SIDE	END	SIDE	END	SIDE	END	SIDE	END	SIDE	END	SIDE	@	END	SIDE	
+25 ft (7.5 m)							5,200 lb (2 359 kg)	5,200 lb (2 359 kg)						19 ft 2 in (5.84 m)	2,900 lb (1 315 kg)	2,900 lb (1 315 kg)
+20 ft (6 m)							6,050 lb* (2 744 kg)*	6,050 lb* (2 744 kg)*	5,000 lb* (2 268 kg)*	5,000 lb* (2 268 kg)*				23 ft 8 in (7.21 m)	2,500 lb* (1 134 kg)*	2,500 lb* (1 134 kg)*
+15 ft (4.5 m)							6,800 lb* (3 084 kg)*	6,800 lb (3 084 kg)	5,850 lb* (2 654 kg)*	4,900 lb (2 223 kg)	4,050 lb (1 837 kg)	3,200 lb (1 451 kg)		26 ft 3 in (8.00 m)	2,400 lb* (1 089 kg)*	2,400 lb* (1 089 kg)*
+10 ft (3 m)					9,950 lb* (4 513 kg)*	9,950 lb (4 513 kg)	9,250 lb (4 196 kg)	7,550 lb (3 425 kg)	6,550 lb (2 971 kg)	4,650 lb (2 109 kg)	4,450 lb (2 018 kg)	3,100 lb (1 406 kg)		27 ft 6 in (8.38 m)	2,400 lb* (1 089 kg)*	2,400 lb* (1 089 kg)*
+5 ft (1.5 m)					19,500 lb (8 845 kg)	13,300 lb (6 033 kg)	9,950 lb (4 513 kg)	6,950 lb (3 152 kg)	6,200 lb (2 812 kg)	4,400 lb (1 996 kg)	4,300 lb (1 950 kg)	3,000 lb (1 361 kg)		27 ft 10 in (8.48 m)	2,550 lb* (1 157 kg)*	2,450 lb* (1 111 kg)*
Groundline			6,300 lb* (2 858 kg)*	6,300 lb* (2 858 kg)*	18,700 lb (8 482 kg)	12,000 lb (5 443 kg)	9,350 lb (4 241 kg)	6,450 lb (2 926 kg)	5,950 lb (2 699 kg)	4,100 lb (1 860 kg)	4,150 lb (1 882 kg)	2,850 lb (1 293 kg)		27 ft 1 in (8.26 m)	2,800 lb* (1 270 kg)*	2,500 lb (1 134 kg)
-5 ft (-1.5 m)	8,600 lb (3 901 kg)	8,600 lb (3 901 kg)	10,500 lb* (4 763 kg)*	10,500 lb* (4 763 kg)*	18,200 lb (8 255 kg)	11,650 lb (5 284 kg)	9,050 lb (4 105 kg)	6,150 lb (2 790 kg)	5,800 lb (2 631 kg)	3,950 lb (1 792 kg)	4,100 lb (1 860 kg)	2,800 lb (1 270 kg)		25 ft 4 in (7.72 m)	3,350 lb* (1 520 kg)*	2,750 lb (1 247 kg)
-10 ft (-3 m)	11,100 lb (5 035 kg)	11,100 lb (5 035 kg)	15,550 lb* (7 053 kg)*	15,550 lb* (7 053 kg)*	18,250 lb* (8 278 kg)*	11,800 lb (5 352 kg)	9,100 lb (4 128 kg)	6,200 lb (2 812 kg)	5,850 lb (2 654 kg)	4,050 lb (1 837 kg)				22 ft 4 in (6.86 m)	4,400 lb* (1 996 kg)*	3,400 lb (1 542 kg)
-15 ft (-4.5 m)			19,050 lb* (8 641 kg)*	19,050 lb* (8 641 kg)*	12,450 lb* (5 647 kg)*	11,900 lb* (5 398 kg)*	8,150 lb* (3 697 kg)*	6,400 lb (2 903 kg)						17 ft 7 in (5.36 m)	5,200 lb* (2 359 kg)*	5,000 lb* (2 268 kg)*

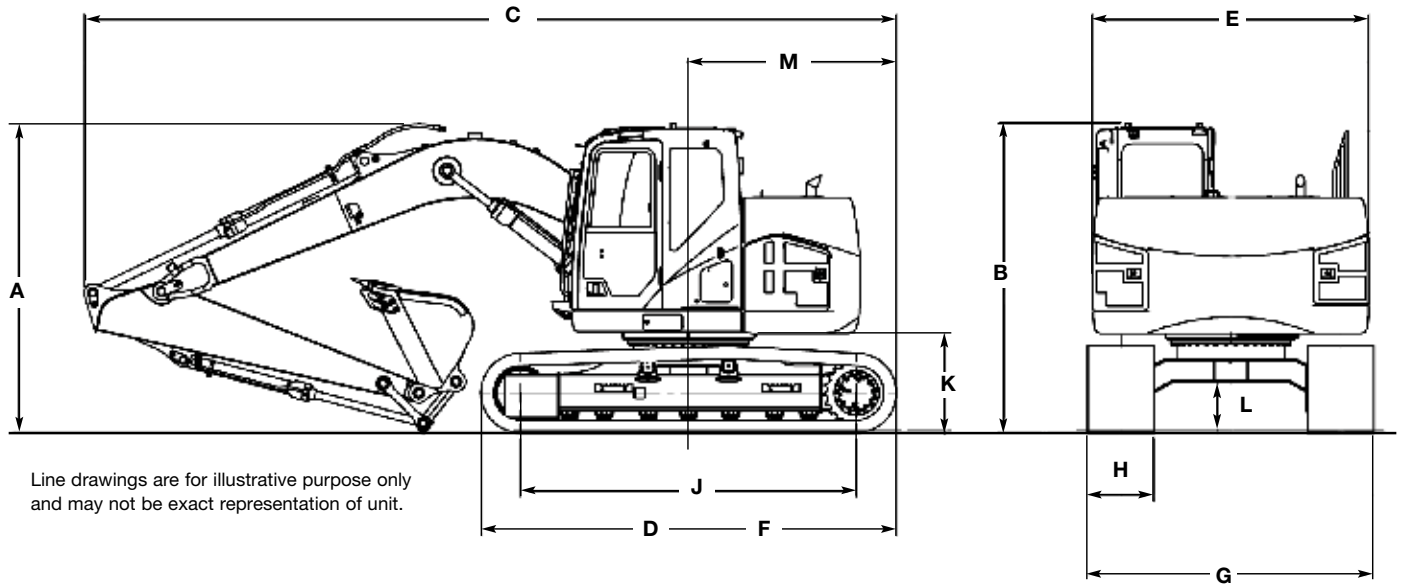
NOTE: \*Lift capacities do not exceed 75% of the minimum tipping load or 87% of the hydraulic lift capacity.  
Capacities that are marked with an asterisk are hydraulic limited.

## CX145C SR LIFTING CAPACITIES WITH BUCKET

6 ft 10 in (2.11 m) Lift capacities using a 900 lb (408 kg) bucket, 8,160 lb (3 700 kg) counterweight.

Load (Lift Point Height)	5 ft (1.5 m)		10 ft (3 m)		15 ft (4.5 m)		20 ft (6 m)		25 ft (7.5 m)		MAXIMUM REACH		
	END	SIDE	END	SIDE	END	SIDE	END	SIDE	END	SIDE	@	END	SIDE
+25 ft (7.5 m)			3,800 lb (1 724 kg)	3,800 lb (1 724 kg)							14 ft 7 in (4.45 m)	3,650 lb* (1 656 kg)*	3,650 lb* (1 656 kg)*
+20 ft (6 m)					6,900 lb* (3 130 kg)*	6,900 lb* (3 130 kg)*	3,800 lb* (1 724 kg)*	3,800 lb* (1 724 kg)*			20 ft 4 in (6.20 m)	3,000 lb* (1 361 kg)*	3,000 lb* (1 361 kg)*
+15 ft (4.5 m)			10,000 lb (4 536 kg)	10,000 lb (4 536 kg)	9,450 lb* (4 286 kg)*	7,650 lb (3 470 kg)	6,500 lb* (2 948 kg)*	4,650 lb (2 109 kg)			23 ft 4 in (7.11 m)	2,800 lb* (1 270 kg)*	2,800 lb* (1 270 kg)*
+10 ft (3 m)			17,450 lb* (7 915 kg)*	14,050 lb (6 373 kg)	10,200 lb (4 627 kg)	7,200 lb (3 266 kg)	6,300 lb (2 858 kg)	4,450 lb (2 018 kg)			24 ft 10 in (7.57 m)	2,800 lb* (1 270 kg)*	2,800 lb* (1 270 kg)*
+5 ft (1.5 m)			19,250 lb (8 732 kg)	12,450 lb (5 647 kg)	9,600 lb (4 354 kg)	6,650 lb (3 016 kg)	6,050 lb (2 744 kg)	4,200 lb (1 905 kg)	3,400 lb (1 542 kg)	2,850 lb (1 293 kg)	25 ft 1 in (7.65 m)	2,950 lb* (1 338 kg)*	2,800 lb* (1 270 kg)*
Groundline			17,600 lb (7 983 kg)	11,700 lb (5 307 kg)	9,150 lb (4 150 kg)	6,250 lb (2 835 kg)	5,850 lb (2 654 kg)	4,000 lb (1 814 kg)			24 ft 4 in (7.42 m)	3,300 lb* (1 497 kg)*	2,950 lb (1 338 kg)
-5 ft (-1.5 m)	12,450 lb* (5 647 kg)*	12,450 lb* (5 647 kg)*	18,400 lb (8 346 kg)	11,800 lb (5 352 kg)	9,050 lb (4 105 kg)	6,150 lb (2 790 kg)	5,800 lb (2 631 kg)	4,000 lb (1 814 kg)			22 ft 4 in (6.81 m)	4,000 lb* (1 814 kg)*	3,350 lb (1 520 kg)
-10 ft (-3 m)	18,750 lb* (8 505 kg)*	18,750 lb* (8 505 kg)*	15,450 lb* (7 008 kg)*	12,050 lb* (5 466 kg)*	9,200 lb* (4 173 kg)*	6,350 lb* (2 880 kg)*					18 ft 11 in (5.77 m)	5,700 lb* (2 585 kg)*	4,450 lb* (2 018 kg)*

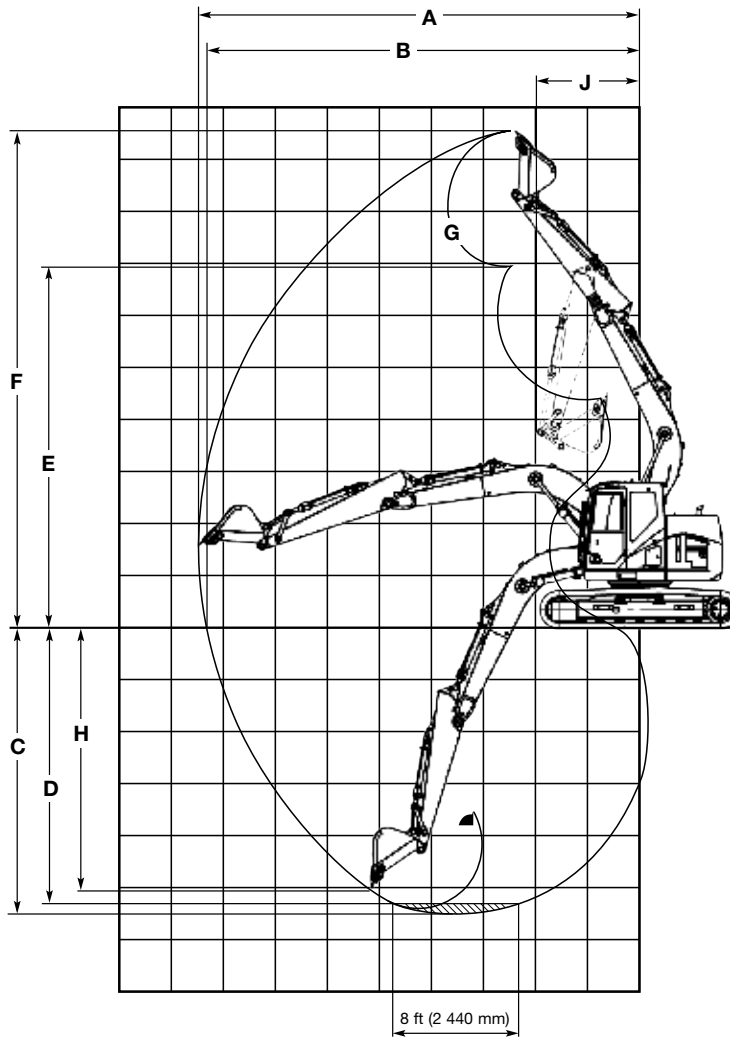
NOTE: \*Lift capacities do not exceed 75% of the minimum tipping load or 87% of the hydraulic lift capacity.  
Capacities that are marked with an asterisk are hydraulic limited.



## DIMENSIONS

	8 ft 2 in (2.50 m) Arm	9 ft 10 in (3.01 m) Arm
<b>A.</b> Overall height – with attachment	9 ft 2 in (2 800 mm)	9 ft 2 in (2 800 mm)
<b>B.</b> Cab height	9 ft 2 in (2 800 mm)	9 ft 2 in (2 800 mm)
<b>C.</b> Overall length – with attachment	24 ft 1 in (7 350 mm)	24 ft 0 in (7 310 mm)
<b>D.</b> Overall length – with out attachment	12 ft 4 in (3 760 mm)	12 ft 4 in (3 760 mm)
<b>E.</b> Width of upper structure	8 ft 2 in (2 490 mm)	8 ft 2 in (2 490 mm)
<b>F.</b> Track overall length	12 ft 4 in (3 760 mm)	12 ft 4 in (3 760 mm)
<b>G.</b> Track overall width with 23.6 in (600 mm) shoes	8 ft 6 in (2 590 mm)	8 ft 6 in (2 590 mm)
<b>H.</b> Track shoe width	2 ft 0 in (600 mm)	2 ft 0 in (600 mm)
<b>J.</b> Center to center – idler to sprocket	10 ft 0 in (3 040 mm)	10 ft 0 in (3 040 mm)
<b>K.</b> Upper structure ground clearance	2 ft 11 in (880 mm)	2 ft 11 in (880 mm)
<b>L.</b> Minimum ground clearance	1 ft 5 in (440 mm)	1 ft 5 in (440 mm)
<b>M.</b> Rear tail swing radius	5 ft 1 in (1 550 mm)	5 ft 1 in (1 550 mm)
Operating weight*	31,967 lb (14 500 kg)	32,150 lb (14 583 kg)
Ground pressure	5.2 psi (0.36 bar)	5.2 psi (0.36 bar)

NOTE: \*With 23.6 in (600 mm) track shoe, 880 lb (400 kg) bucket, 165 lb (75 kg) operator, full fuel and standard equipment.



## PERFORMANCE SPECS

	8 ft 2 in (2.50 m) Arm	9 ft 10 in (3.01 m) Arm
<b>A.</b> Maximum dig radius	27 ft 2 in (8 290 mm)	28 ft 8 in (8 740 mm)
<b>B.</b> Dig radius at groundline	26 ft 8 in (8 140 mm)	28 ft 3 in (8 600 mm)
<b>C.</b> Maximum dig depth	18 ft 1 in (5 510 mm)	19 ft 9 in (6 010 mm)
<b>D.</b> Dig depth – 8 ft 0 in (2.44 m) level bottom	17 ft 4 in (5 290 mm)	19 ft 2 in (5 830 mm)
<b>E.</b> Dump height	22 ft 9 in (6 940 mm)	23 ft 11 in (7 290 mm)
<b>F.</b> Maximum reach height	30 ft 8 in (9 340 mm)	31 ft 9 in (9 690 mm)
<b>G.</b> Bucket rotation	178°	178°
<b>H.</b> Maximum vertical wall dig depth	16 ft 1 in (4 900 mm)	17 ft 4 in (5 290 mm)
<b>J.</b> Minimum swing radius	6 ft 5 in (1 950 mm)	7 ft 8 in (2 330 mm)
Arm digging force:		
Standard	13,938 lb (62 kN)	12,589 lb (56 kN)
Power Boost	14,837 lb (66 kN)	13,489 lb (60 kN)
Bucket digging force:		
Standard	20,233 lb (90 kN)	20,233 lb (90 kN)
Power Boost	21,357 lb (95 kN)	21,357 lb (95 kN)

## STANDARD EQUIPMENT

### ENGINE

Isuzu four-cylinder turbo-charged diesel  
Tier 4 Interim Certified (CEGR)  
Electronic fuel injection  
High pressure common rail system  
Diesel Particulate Defuser System (DPD)  
Neutral safety start  
Auto-engine warm up  
Glow-plug pre-heat  
EPF (Engine Protection Feature)  
Dual-stage fuel filtration  
Dual element air filter  
Remote oil filter  
Green plug oil drain  
500-hour engine oil change interval  
24-volt system  
Requires CJ-4 engine oil  
Requires ultra low-sulfur fuel

### FUEL ECONOMY SYSTEMS

Engine Idle/Fuel Economy System:  
Auto-idle  
One-touch idle  
Idle shut-down  
BEC—Boom Economy Control  
AEC—Auto Economy Control  
SWC—Swing Relief Control  
SSC—Spool Stroke Control

### HYDRAULICS

Auto power boost  
Auto swing priority  
Auto travel speed change

### HYDRAULICS (CONTINUED)

Selectable work modes  
ISO pattern controls  
Pre-set auxiliary pump settings  
Auxiliary valve  
5,000-hour hydraulic oil change interval  
1,000-hour hydraulic filter change interval  
SAHR brake

### UPPER STRUCTURE

Right and left side mirrors  
Isolation mounted cab (fluid and spring)  
Common key vandal locks  
Upper mounted work light (70 watt)  
Swivel guard belly pan

### ATTACHMENTS

Boom—15 ft 2 in (4.63 m)  
Arm—8 ft 2 in (2.50 m)  
Heavy-duty bucket linkage  
Boom mounted work light (70 watt)  
Auxiliary pipe brackets  
Centralized grease fittings  
Attachment cushion valve  
Arm and boom regeneration

### OPERATOR STATION

ROPS protection  
FOPS cab top guard (Level 1)  
Pressurized cab  
One-touch lock front window  
AC/heat/defrost with auto climate control  
Color monitor—7 in (180 mm)

### OPERATOR STATION (CONTINUED)

Interior dome light  
Air-suspension seat (cloth)  
Seatbelt—3 in (76 mm)  
Adjustable armrests  
Tilting consoles—4-position  
Low-effort joystick controls  
Sliding cockpit—7 in (180 mm)  
Straight travel  
AM/FM radio w/ antenna and 2 speakers  
Aux-in port for personal electronics  
Rear-view camera  
Anti-theft system (start code system)  
Rubber floor mat  
12-volt electric outlet  
24-volt cigarette lighter  
External rearview mirrors  
Windshield wiper / washer  
Clear (polycarbonate) roof window w/ sunshade  
Cup holder  
Storage compartments  
On-board diagnostic system  
Travel alarm with cancel switch  
One key start and lock-up

### UNDERCARRIAGE

23.6 in (600 mm) steel shoes, triple semi-grouser  
Full overlap turntable bearing tub  
Hydraulic track adjustment  
X-pattern carbody

### TELEMATICS

CASE SiteWatch™ Telematics – includes hardware and a 3-yr Advanced data subscription

## OPTIONAL EQUIPMENT

### HYDRAULICS

Auxiliary hydraulics:  
Single acting / joystick activated  
Double acting / joystick activated  
Multi-function / joystick activated  
Secondary low-flow / joystick activated

### ATTACHMENTS

Standard arm—9 ft 11 in (3.01 m)  
Heavy-duty arm—6 ft 10 in (2.11 m)  
Coupler / Case multi-pin grabber  
Buckets:  
Heavy-duty  
Extreme-duty  
Load holding control  
Free swing (order kit through Service Parts)  
Hose Burst Check Valve (HBCV)

### OPERATOR STATION

Control pattern selector  
FOPS cab top guard (Level 2)  
Front grill guard—2 x 2 screen mesh  
Front rock guard—vertical bars (two piece) / OPG 1  
Front rock guard—vertical bars (fixed/one piece) / OPG 2  
Vandal guard  
Rain deflector  
Sun visor  
Side-view camera  
Refueling pump

### UNDERCARRIAGE

27.6 in (700 mm) steel shoes, triple semi-grouser  
20.0 in (500 mm) rubber shoes  
Double track chain guides

## BUCKETS

Application	Width	SAE Heaped Capacity
Heavy-duty	24 in to 42 in (0.61 m to 1.07 m)	0.43 yd <sup>3</sup> to 0.83 yd <sup>3</sup> (0.33 m <sup>3</sup> to 0.64 m <sup>3</sup> )
Extreme-duty	24 in to 42 in (0.61 m to 1.07 m)	0.51 yd <sup>3</sup> to 0.97 yd <sup>3</sup> (0.39 m <sup>3</sup> to 0.74 m <sup>3</sup> )
Heavy-duty coupler	24 in to 42 in (0.61 m to 1.07 m)	0.43 yd <sup>3</sup> to 0.83 yd <sup>3</sup> (0.33 m <sup>3</sup> to 0.64 m <sup>3</sup> )
Ditching	48 in to 60 in (1.22 m to 1.52 m)	0.79 yd <sup>3</sup> to 1.02 yd <sup>3</sup> (0.60 m <sup>3</sup> to 0.78 m <sup>3</sup> )

**This page intentionally left blank.**

NOTE: All specifications are stated in accordance with SAE Standards or Recommended Practices, where applicable.

NOTE: All engines meet current EPA emissions requirements.

IMPORTANT: Case Construction Inc. reserves the right to change these specifications without notice and without incurring any obligation relating to such change. Case Construction Inc. does not warrant the safety or reliability of attachments from other manufacturers.

CASE is a trademark registered in the United States and many other countries, owned by or licensed to CNH Industrial N.V., its subsidiaries or affiliates. CNH Industrial Capital is a trademark in the United States and many other countries, owned by or licensed to CNH Industrial N.V., its subsidiaries or affiliates.



[www.casece.com](http://www.casece.com)

