
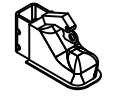
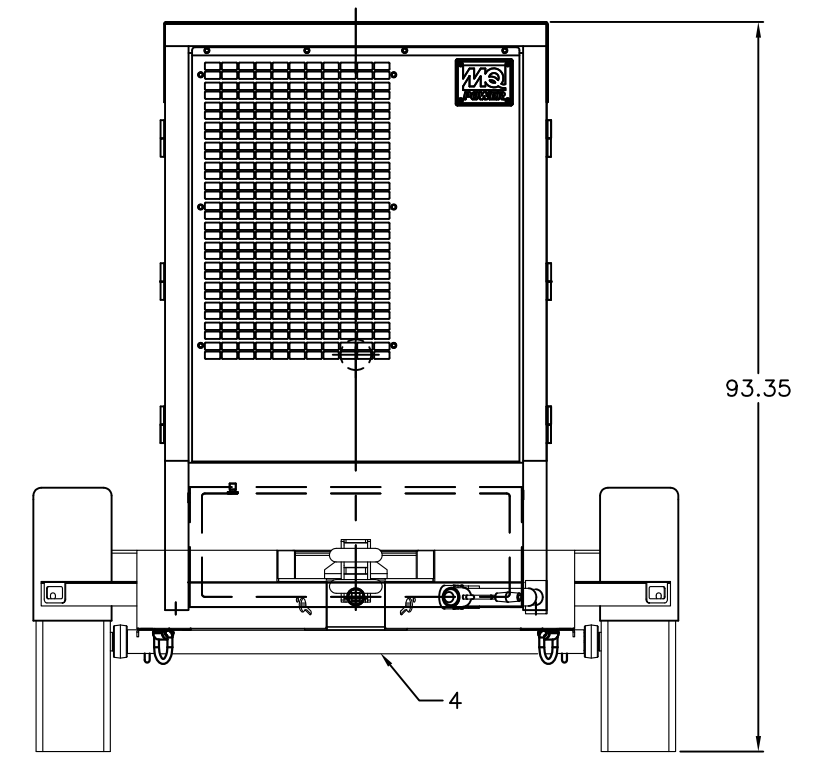
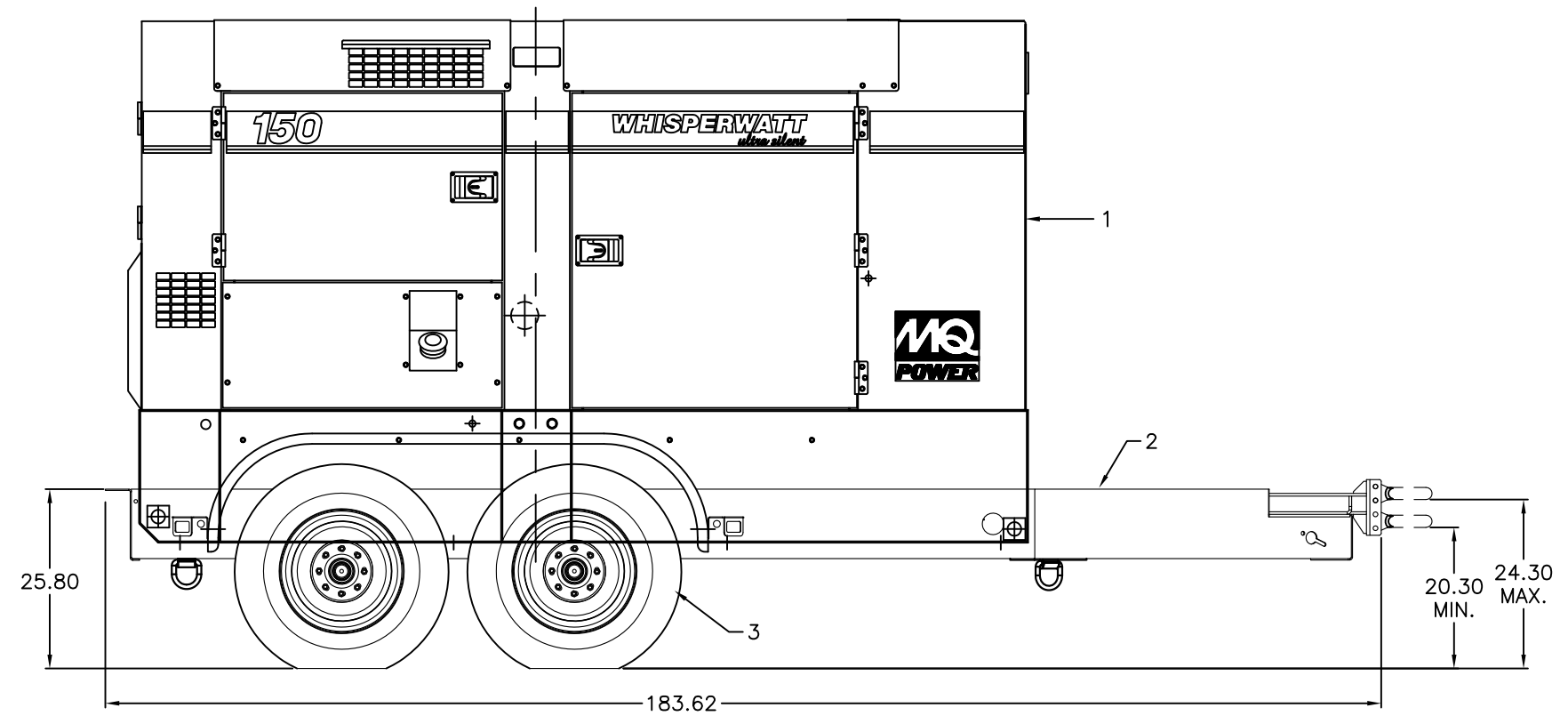
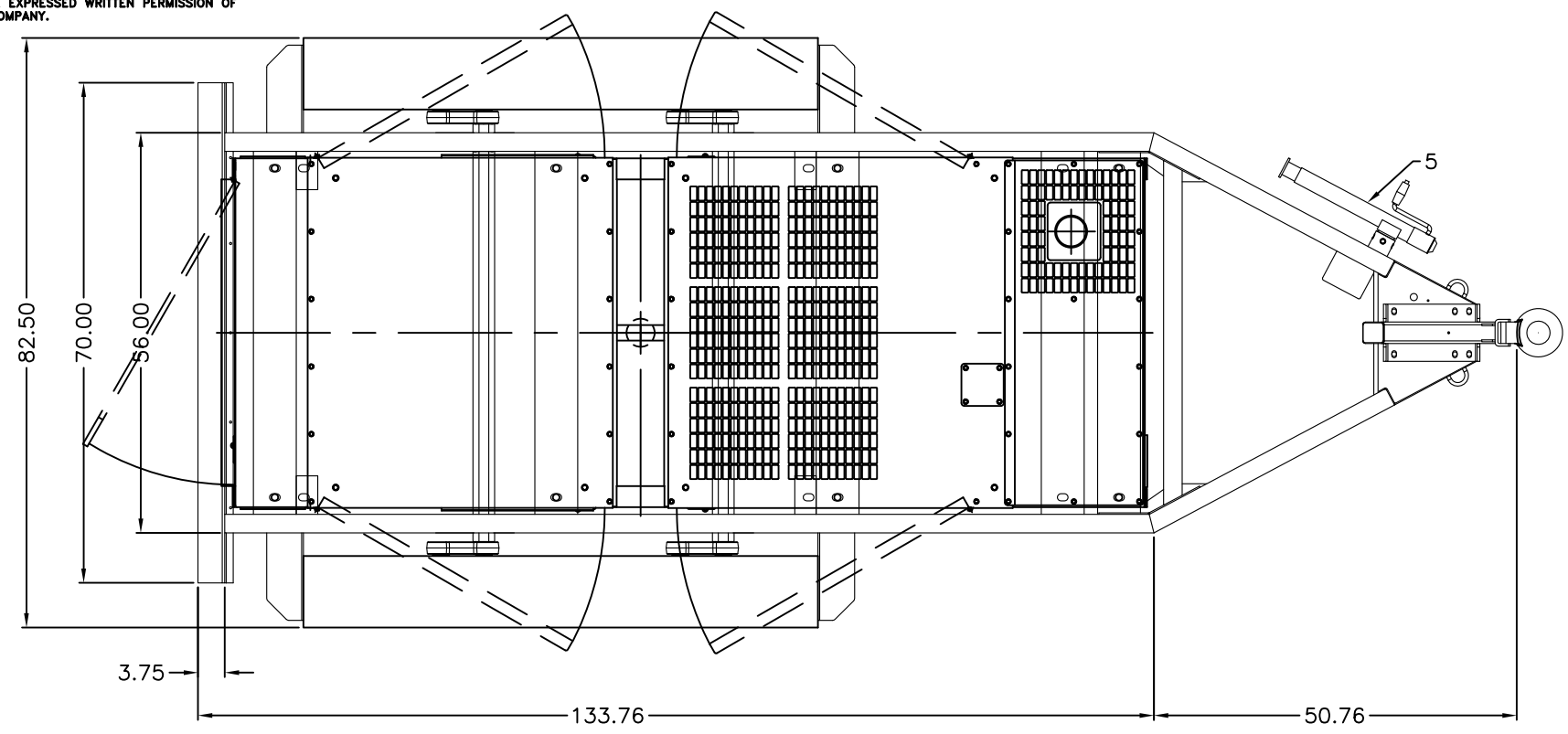


THIS DRAWING AND THE DATA DISCLOSED HEREIN OR HEREWITH IS CONFIDENTIAL AND PROPRIETARY AND IS NOT TO BE REPRODUCED, USED, OR DISCLOSED IN WHOLE OR IN PART TO ANYONE WITHOUT THE EXPRESSED WRITTEN PERMISSION OF MULTIQUIP COMPANY.

PART LISTS					
ITEM	PART NUMBER	QTY	DESCRIPTION	MANUFACTURE	
1	DCA150USJ3CAN (TIER 3)	1	150KVA w/ 600V GENSET 150USJ3CAN GENSET WEIGHT (DRY): 6,828lbs	MQ POWER	
2	TRLR150USE	1	TRAILER (MODEL: TRLR150USE) TRAILER WT. ONLY: 1,771lbs G.V.W.R.: 11,000lbs TONGUE WT.: OVERALL DIMENSION: 185L X 83W X 91H	MQ POWER	
3	EE47313	4	TIRE ST235/80R-16 LR-E 3500lbs RATING WHEEL 16 X 6	TREDIT TIRE	
4	EE55961	2	ELECTRIC AXLE, 6000lbs RATING	DEXTER AXLE	
5	EE43518	1	JACK, 5K	CEQUENT	
6		1	SEE HITCH OPTION TABLE		

HITCH OPTIONS	
3' ADJUSTABLE EYE 25,000lbs (EE36264 - PRIMED)	
2-5/16" BALL COUPLER 14,000lbs (EE43253 - PLATED)	



UNLESS OTHERWISE SPECIFIED DIMENSIONS ARE IN INCHES TOLERANCES ARE :		CUSTOMER		MQ POWER TEL: (310) 537-3700/FAX: (310) 632-2656 18910 WILMINGTON AVENUE CARSON, CA 90746		
FRACTIONS	DECIMALS	ANGLES	JOB NO.			
±	.XX ±	±				
	.XXX ±					
DERIVED FROM		MATERIAL	APPROVALS	DATE	DCA150USJ3CAN GENSET	
REV	DATE	FINISH	J. TRAN	12/08/14	MTD ON TRLR150US ELEC. TRAILER	
CAD CODE 202041		DO NOT SCALE DRAWING	CHECKED		SIZE D	FSCM NO. 202041
			SALESMAN		SCALE 1/12	DWG. NO. 202041 SHEET 1 / 1

DWG. NO. 202041