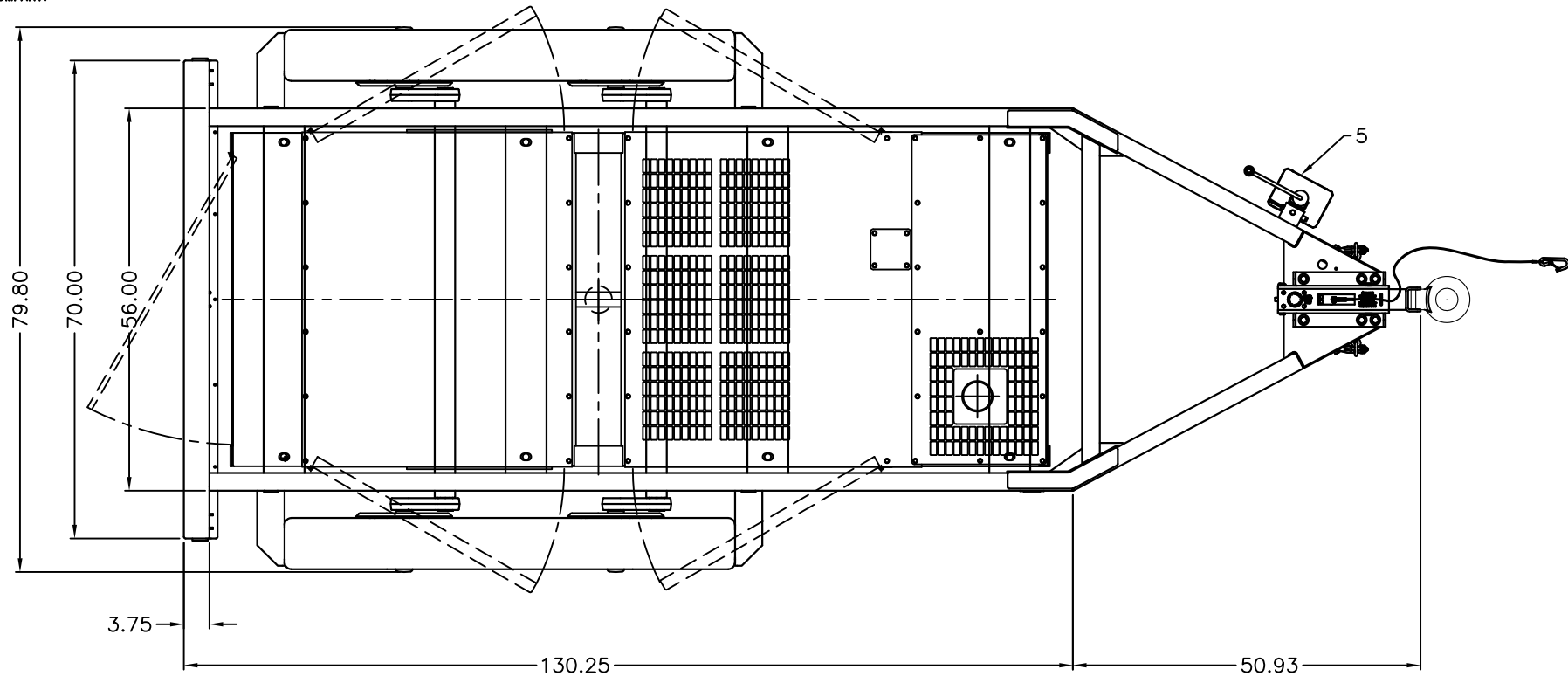
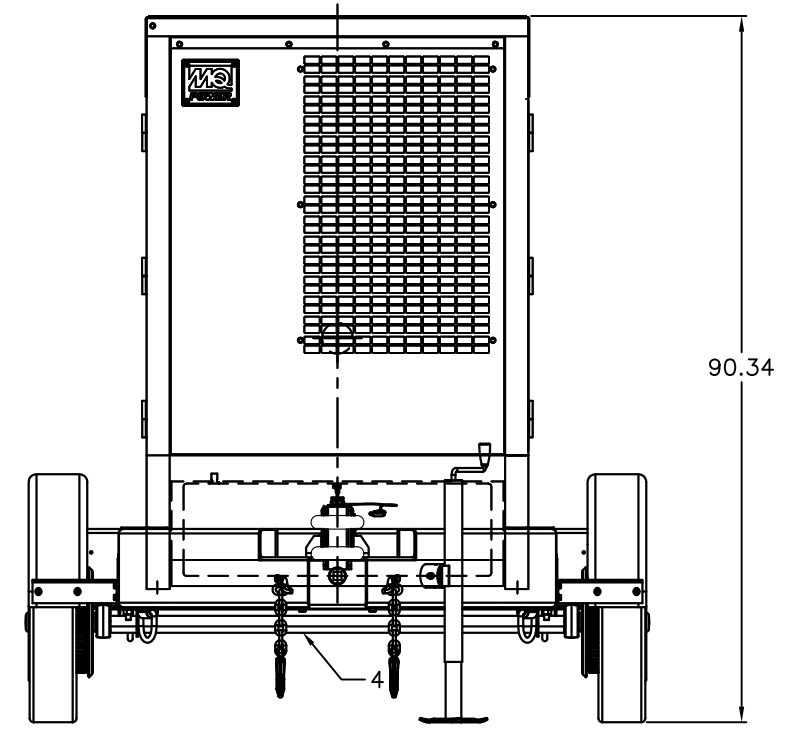
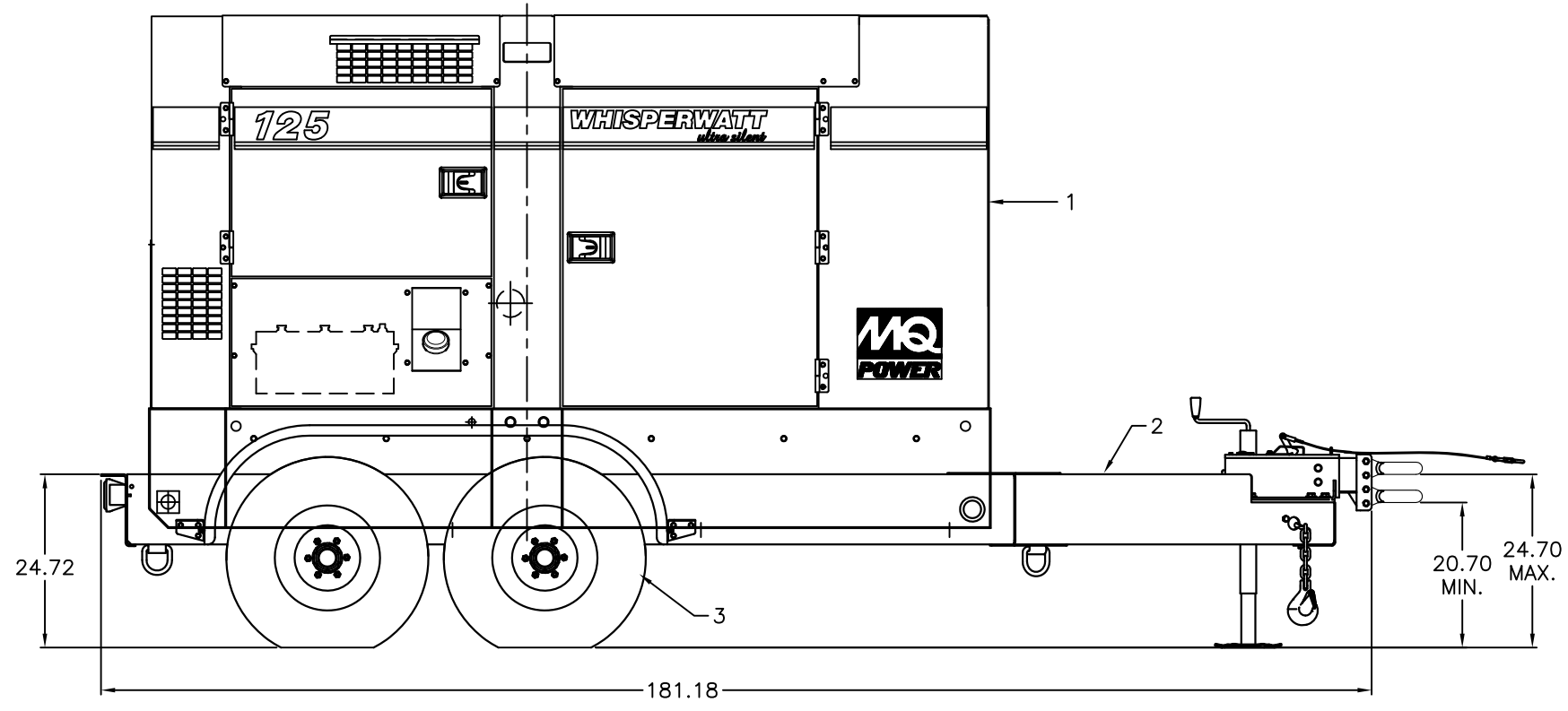


THIS DRAWING AND THE DATA DISCLOSED HEREIN OR HEREWITH IS CONFIDENTIAL AND PROPRIETARY AND IS NOT TO BE REPRODUCED, USED, OR DISCLOSED IN WHOLE OR IN PART TO ANYONE WITHOUT THE EXPRESSED WRITTEN PERMISSION OF MULTIQUIP COMPANY.

PART LISTS				
ITEM	PART NUMBER	QTY	DESCRIPTION	MANUFACTURE
1	DCA125USI3CAN (TIER 3)	1	125KVA GENSET 125SUSI3CAN GENSET WEIGHT (DRY): 6,013bs	MQ POWER
2	TRLR125USH	1	TRAILER (MODEL: TRLR125USH) TRAILER WT. ONLY (APPROX.): 1,722lbs G.V.W.R.: 10,000lbs TONGUE WT.: OVERALL DIMENSION: 181L X 79.5W X 90H	MQ POWER
3	EE44774	4	TIRE ST225/75R-15 LR-D 2540lbs RATING WHEEL 15 X 6	TREDIT TIRE
4	EE56652	2	HYDRAULIC TORSION AXLE, 5,000lbs RATING	DEXTER AXLE
5	EE43518	1	JACK, 5K	CEQUENT
6		1	SEE HITCH OPTION TABLE	



HITCH OPTIONS	
3" ADJUSTABLE EYE 20,000lbs (EE36264 - PRIMED)	
2-5/16" BALL COUPLER 14,000lbs (EE43253 - PLATED)	



UNLESS OTHERWISE SPECIFIED DIMENSIONS ARE IN INCHES TOLERANCES ARE :		CUSTOMER		MQ POWER TEL: (310) 537-3700/FAX: (310) 632-2656 18910 WILMINGTON AVENUE CARSON, CA 90746		
FRACTIONS	DECIMALS	ANGLES	JOB NO.			
±	.XX ±	±				
	.XXX ±					
DERIVED FROM		MATERIAL	APPROVALS	DATE	DCA125USI3CAN GENSET MTD ON TRLR125US HYD. TRAILER	
REV	DATE	FINISH	J. TRAN	08/01/13	SIZE	FSCM NO.
CAD CODE		DO NOT SCALE DRAWING	CHECKED		D	201855
201855			SALESMAN		SCALE	DWG. NO.
					1/12	201855
						SHEET
						1 / 1

DWG. NO. 201855