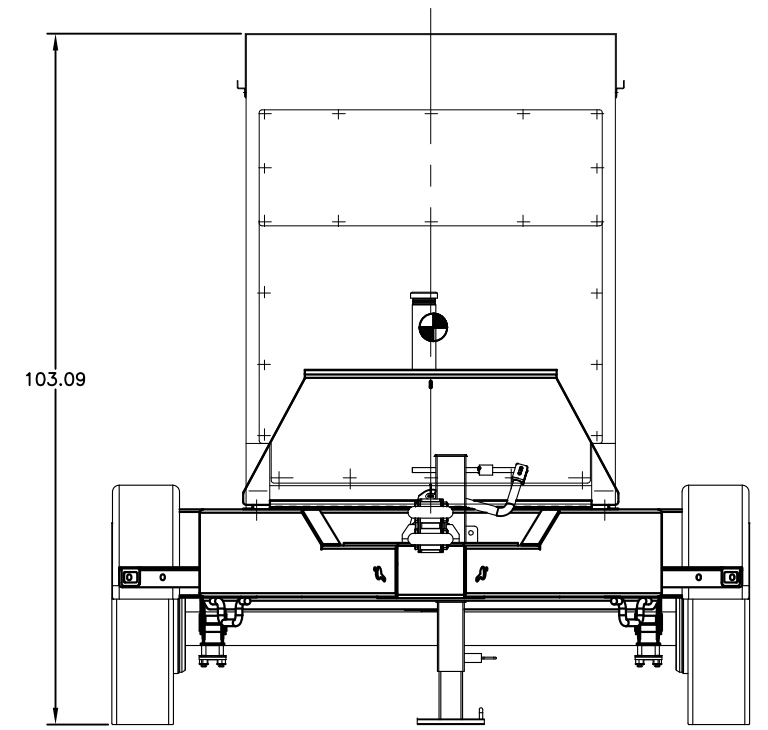
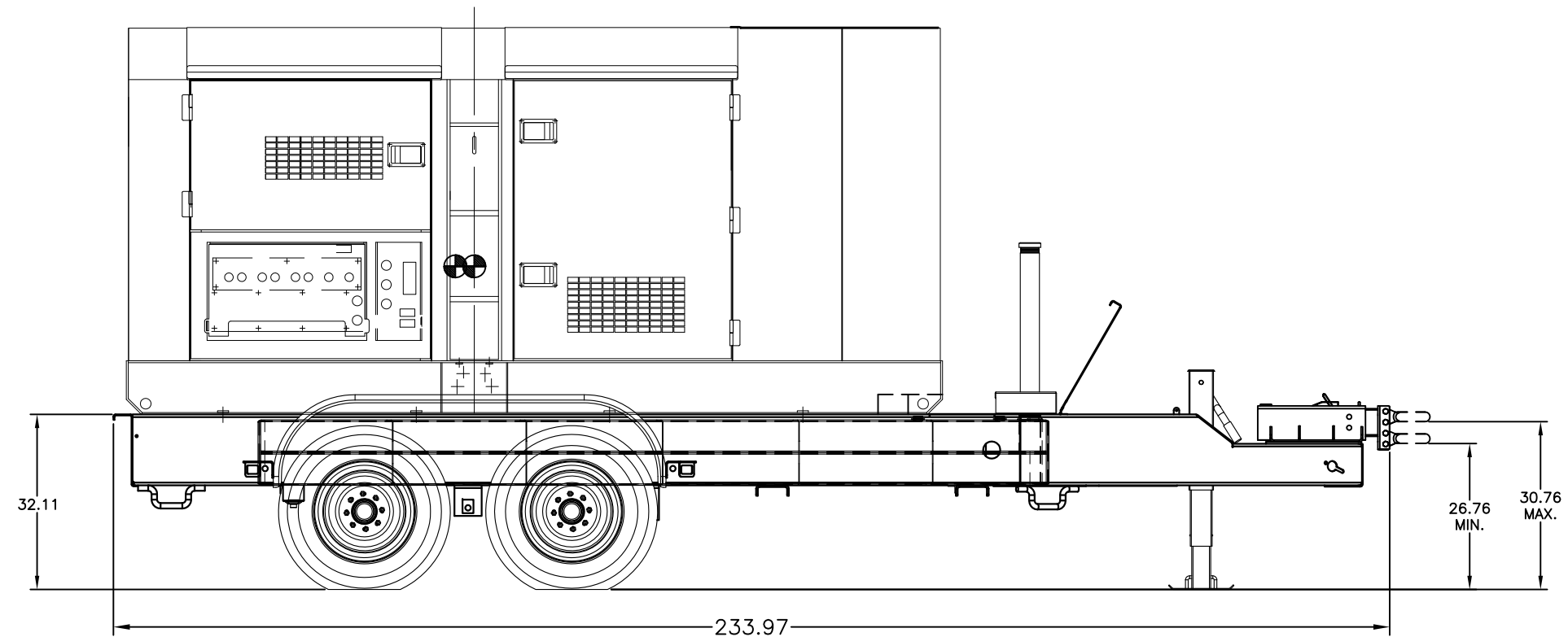
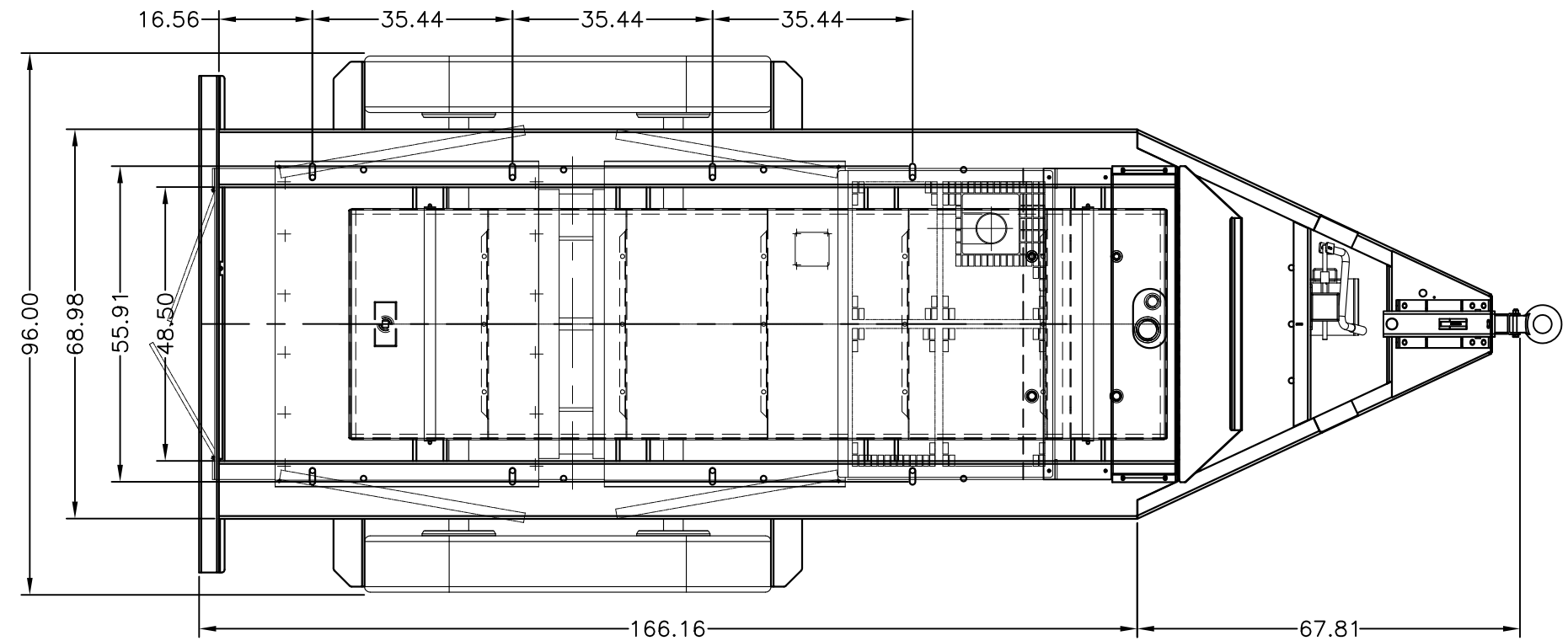


THIS DRAWING AND THE DATA DISCLOSED HEREIN OR HEREWITH IS CONFIDENTIAL AND PROPRIETARY AND IS NOT TO BE REPRODUCED, USED, OR DISCLOSED IN WHOLE OR IN PART TO ANYONE WITHOUT THE EXPRESSED WRITTEN PERMISSION OF MULTIQUIP COMPANY.

DWG. NO. 201809

PART LISTS				
ITEM	PART NUMBER	QTY	DESCRIPTION	MANUFACTURE
1	MQP240 (TIER 3)	1	240KW GENSET MQP240 GENSET WEIGHT (WET): 8,865lbs	MQ POWER
2	TRLR325XFH	1	TRAILER (MODEL: TRLR325XF HYD. BRAKES) TRAILER WT. (APPROX.): 3,760lbs G.V.W.R.: 18,000lbs TONGUE WT.: 790lbs OVERALL DIMENSION: 234L X 96W X 103H	MQ POWER
3	EE47028	4	TIRE: 235/75R17.5 "H", 6005lbs WHEEL: 17.5 X 6.75	TREDIT TIRE
4	EE55502	2	HYDRAULIC AXLE, 10,000lbs RATING	DEXTER AXLE
5	EE46772	1	HEAVY DUTY DROPLEG - 10K JACK	CEQUENT
6	EE36264	1	3" ADJUSTABLE EYE	WALLACE FORGE
7	EE55288	1	FUEL TANK CAPACITY: 300GAL.	MQ POWER
8	EE53593	1	DIAMOND PLATE COVER, 12 X 55-1/8	MQ POWER



UNLESS OTHERWISE SPECIFIED DIMENSIONS ARE IN INCHES TOLERANCES ARE :		CUSTOMER		MQ POWER TEL: (310) 537-3700/FAX: (310) 632-2656 18910 WILMINGTON AVENUE CARSON, CA 90746		
FRACTIONS	DECIMALS	ANGLES	JOB NO.			
±	.XX ±	±		APPROVALS		DATE
	.XXX ±			DRAWN		05/30/12
DERIVED FROM		MATERIAL		MTD ON TRLR325XF HYD. TRAILER		
REV	DATE	FINISH		CHECKED		SCALE
CAD CODE		DO NOT SCALE DRAWING		SALESMAN		SHEET
201809						1 / 1

DWG. NO. 201809

SHEET

1 / 1