



PH: 1-800-556-9452  
www.amiattachments.com

**IT'S NOT A JOB  
IT'S A PERFORMANCE**

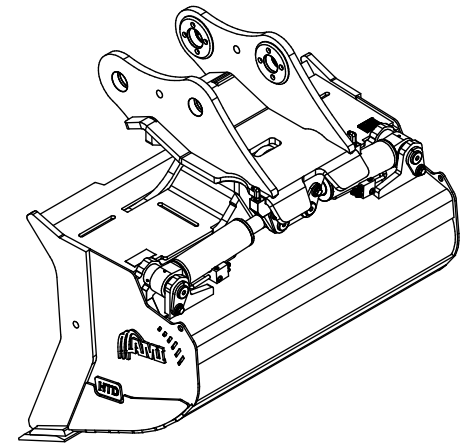
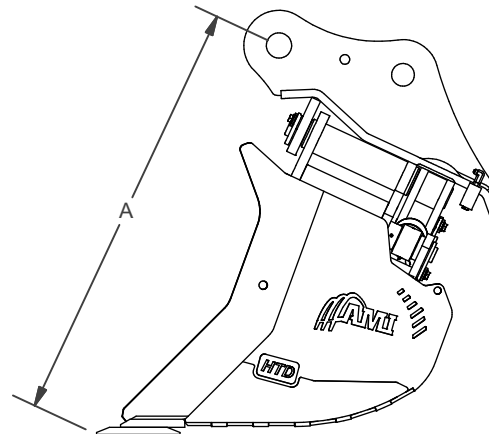
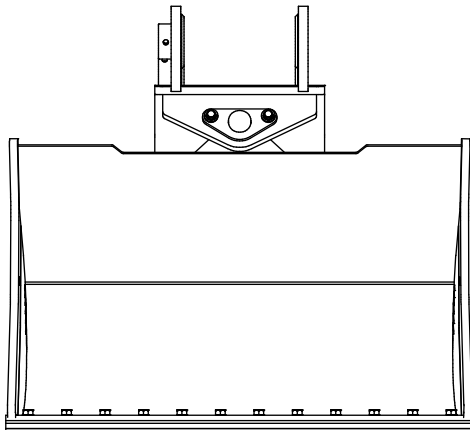
**SPECIFICATIONS:**

- REVERSIBLE BOLT-ON EDGE
- 90° ROTATION

HYDRAULIC TILT DITCHING BUCKETS - BOE				
Part #	Width (in.)	Capacity (Cu. Yds)	Tip Radius (in.) (A)	Weight (lbs)
HTD2433E54	54	0.540	43 1/4	1410
HTD2433E60	60	0.610	43 1/4	1505
HIGH CAPACITY BUCKETS				
Part #	Width (in.)	Capacity (Cu. Yds)	Tip Radius (in.) (A)	Weight (lbs)
HTD2433E54HC	54	0.765	47	1695
HTD2433E60HC	60	0.860	47	1795

▶ ITEMS AVAILABLE FOR FAST TRACK.

**AMI ATTACHMENTS SPECIFICATION DRAWING  
HYDRAULIC TILT DITCHING BUCKETS  
EXCAVATOR CATEGORY 130**



DESIGNED & BUILT WITH **HARDOX**  
IN MY BODY