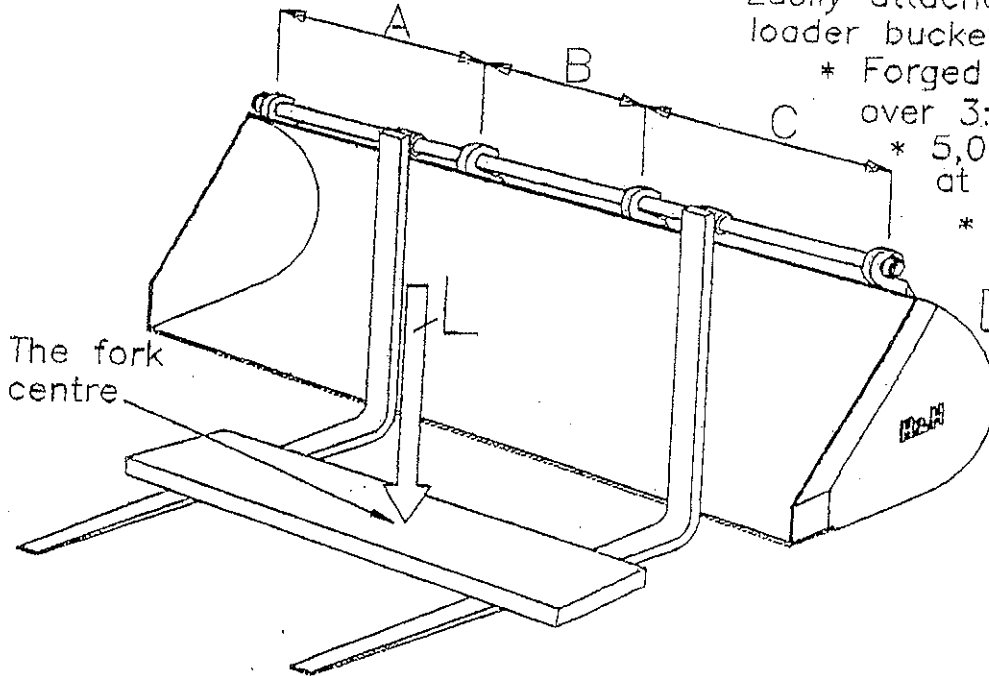




MANUFACTURING LTD.
 4330 MAINWAY DRIVE
 BURLINGTON, ONTARIO
 CANADA, L7L 5R7

PHONE:(905) 335-5532 FAX:(905) 332-0440

H&H BUCKET FORK HF5048



- * Easily attached brackets convert loader bucket to forklift.
- * Forged forks , safety factor over 3:1.
- * 5,000 lbs per pair at 24" load centre.
- * Adjustable fork position.

***Typical kit contents:**

- 2 Forged forks
- 1 Fork shaft
- 4 Mounting brackets
- 1 set of hardware

BUCKET FORK KIT SPECIFICATIONS AND LOADINGS

-B:	at least 12"
-Max Load L at fork centre :	5000 lbs
-Bucket opening up to:	41"
-Fork back height:	44"
-Fork size:	1-1/2" x4
-Fork length:	48"
-Rod size:	Ø 1.75" x6'
-No.of brackets:	4
-Approx.weight:	385lbs

STRUCTURALLY CHECKED,
 CERTIFIED BY H&H DESIGN
 DEPARTMENT FOR THE
 LOADS, DATA IN THE TABLE.

