

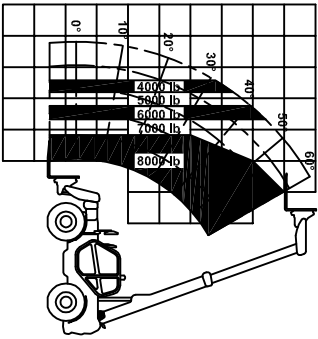
REV NUM	DATE	REVISION NOTICE	REVISION DESCRIPTION	BY	APPD
1	20FEB20		ADDED 10000	WJM	
2	04MAR20		ADDED 12000	WJM	

8

Telehandler Craneboom Lifting Capacity (pounds)
Model LCH5 High-Lift

MOTIVATION
INDUSTRIAL EQUIPMENT LTD.,
PHONE: 519-537-8855

NOMINAL TELEHANDLER ZONE CAPACITY	CAPACITIES SHOWN ARE ADJUSTED FOR SELF WEIGHT (570 LBS) OF LCH5 UNIT											
	2'	3'	4'	5'	6'	7'	8'	9'	10'	11'	12'	
1500	595	395	295	235	195	170	145	120	95	75	60	
2000	1095	730	545	435	365	310	270	230	195	165	145	
3000	2095	1395	1045	835	695	595	520	450	395	350	310	
4000	3095	2065	1545	1235	1030	885	770	675	595	530	475	
5000	4095	2730	2045	1635	1365	1170	1020	895	795	710	645	
6000	5095	3395	2545	2035	1695	1456	1274	1120	995	895	810	
7000	6095	4065	3045	2435	2030	1740	1520	1340	1195	1075	975	
8000	7095	4730	3549	2835	2365	2025	1770	1565	1395	1260	1145	
10000	9095	6065	4545	3635	3030	2595	2270	2005	1795	1620	1475	
12000	9500	7395	5545	4435	3695	3170	2770	2450	2195	1985	1810	



REFER TO TELEHANDLER INSTRUCTIONS TO DETERMINE ACTUAL NOMINAL TELEHANDLER ZONE CAPACITIES.

MATERIAL - 4 MIL WHITE VINYL
ADHESIVE - AGGRESSIVE
BACKGROUND - WHITE
PRINT - BLUE
LAMINATION - 1 MIL CLEAR MYLAR
BACKING - SPLIT BACK

ITEM	PART NUMBER	QTY	DESCRIPTION	TOTAL QTY	UOM														
<p>THIS DOCUMENT IS THE PROPERTY OF MOTIVATION INDUSTRIAL EQUIPMENT LTD. AND SHALL NOT BE USED, COPIED OR ANY OTHER DOCUMENTS (WHOLLY OR PARTIALLY) WITHOUT PERMISSION OF MOTIVATION INDUSTRIAL EQUIPMENT LIMITED.</p> <p>DO NOT SCALE DRAWING UNLESS OTHERWISE SPECIFIED DIMENSIONS ARE INCHES DIMENSIONS IN [] ARE MM</p> <p>-TOLERANCES-</p> <table border="0"> <tr> <td>ANGULAR</td> <td>± 0.5°</td> </tr> <tr> <td>DECIMAL</td> <td>± .02</td> </tr> <tr> <td>FRACTIONAL</td> <td>± 1/32</td> </tr> <tr> <td>GENERAL</td> <td>± 1/16</td> </tr> <tr> <td>DRAWING</td> <td>± 1/8</td> </tr> <tr> <td>PER 3000880</td> <td>± 1/16</td> </tr> <tr> <td>WELDING</td> <td>± 1/16</td> </tr> </table>						ANGULAR	± 0.5°	DECIMAL	± .02	FRACTIONAL	± 1/32	GENERAL	± 1/16	DRAWING	± 1/8	PER 3000880	± 1/16	WELDING	± 1/16
ANGULAR	± 0.5°																		
DECIMAL	± .02																		
FRACTIONAL	± 1/32																		
GENERAL	± 1/16																		
DRAWING	± 1/8																		
PER 3000880	± 1/16																		
WELDING	± 1/16																		
			<p>INDUSTRIAL EQUIPMENT LTD., BOSSIER CITY, LA ~ WOODSTOCK, ON</p> <p>INDUSTRIAL EQUIPMENT LTD. BOSSIER CITY, LA ~ WOODSTOCK, ON</p> <p>DECAL - CAPACITY LCH5 TELEHANDLER</p>																
			<p>DRAWN BY WJM</p> <p>CHECKED 10 OCT 18</p> <p>APPROVED</p> <p>DECAL DERIVED FROM SCALE 1/1</p>																
			<p>SHFT NO 1</p> <p>SHFT OF 1</p> <p>DRAWING NO 31003475</p>																
					REV NUM 2														