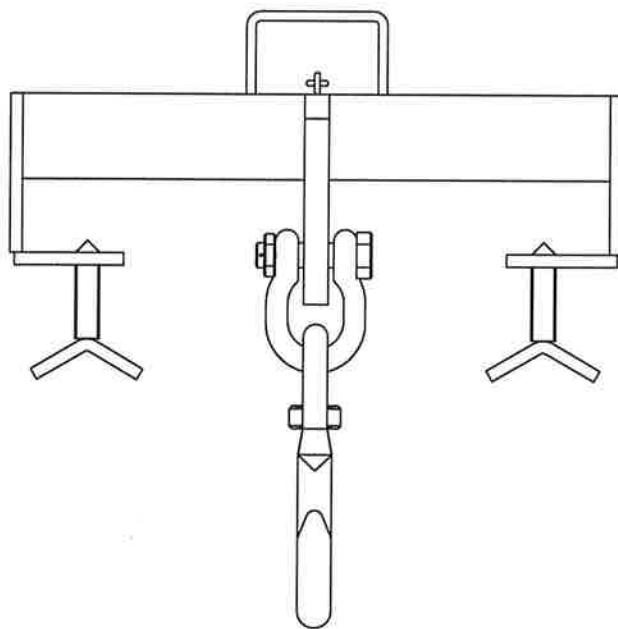


REV NUM	DATE	REVISION NOTICE	REVISION DESCRIPTION	BY	APRD
---------	------	-----------------	----------------------	----	------

INSTRUCTIONS FOR YOUR F45-1 FORKLIFT ATTACHMENT



ITEM	PART NUMBER	DESCRIPTION	QTY	UOM				
THIS DOCUMENT IS THE PROPERTY OF MOTIVATION INDUSTRIAL EQUIPMENT LTD., AND SHALL NOT BE USED, COPIED OR TRANSFERRED TO ANY OTHER DOCUMENTS (WHOLLY OR PARTIALLY) WITHOUT PERMISSION OF MOTIVATION INDUSTRIAL EQUIPMENT LIMITED.		DO NOT SCALE DRAWING UNLESS OTHERWISE SPECIFIED DIMENSIONS ARE INCHES DIMENSIONS IN [] ARE MM --TOLERANCES-- ANGULAR ± 0.5° DECIMAL ± .02 FRACTIONAL ± 1/32 GENERAL ± 1/16 CUTTING ± 1/16 FORMING ± 1/16 WELDING ± 1/16	QUOTE NUMBER ORDER NUMBER UNSPECIFIED MACHINING ✓ SHAFT RADIUS MACHINING ✓ UNSPECIFIED WELDS 	DRAWN BY WJW DRAWN DATE 10FEB04 CHECKED APPROVED UOM EA WEIGHT (LBS) 0.5	INDUSTRIAL EQUIPMENT LTD., STONEY CREEK, ONTARIO. -CANADA- (905) 664-4040 INSTRUCTIONS- F45-1 FORKLIFT ATTACHMENT DERIVED FROM 30004255-0 SCALE 1/8	SHEET NO 1 SHEET OF 3 AV	DRAWING NO 30005300	REV NUM 0

REV NUM	DATE	REVISION NOTICE	REVISION DESCRIPTION	BY	APRD
---------	------	-----------------	----------------------	----	------

WARNING :

Never attempt to lift loads which exceed the rated capacity of this unit.

The use of this unit should be limited to qualified operators only.

Improper use could result in personal injury and/or product damage.

Overloading of this unit may cause the forklift truck to tip.

Safety chain must be secured correctly at all times.

Do not exceed the safe operating capacity of the forklift truck being used.

OPERATING INFORMATION :

The load can be supported at any position along the forks, subject to fork strength.

The lifting capacity of the forklift truck will decrease as the center of gravity of the load extends further out.

Overloading may cause the forklift truck to tip.

THIS DOCUMENT IS THE PROPERTY OF MOTIVATION INDUSTRIAL EQUIPMENT LTD., AND SHALL NOT BE USED, COPIED OR TRANSFERRED TO ANY OTHER DOCUMENTS (WHOLLY OR PARTIALLY) WITHOUT PERMISSION OF MOTIVATION INDUSTRIAL EQUIPMENT LIMITED.

DO NOT SCALE DRAWING

UNLESS OTHERWISE SPECIFIED DIMENSIONS ARE INCHES DIMENSIONS IN [] ARE MM

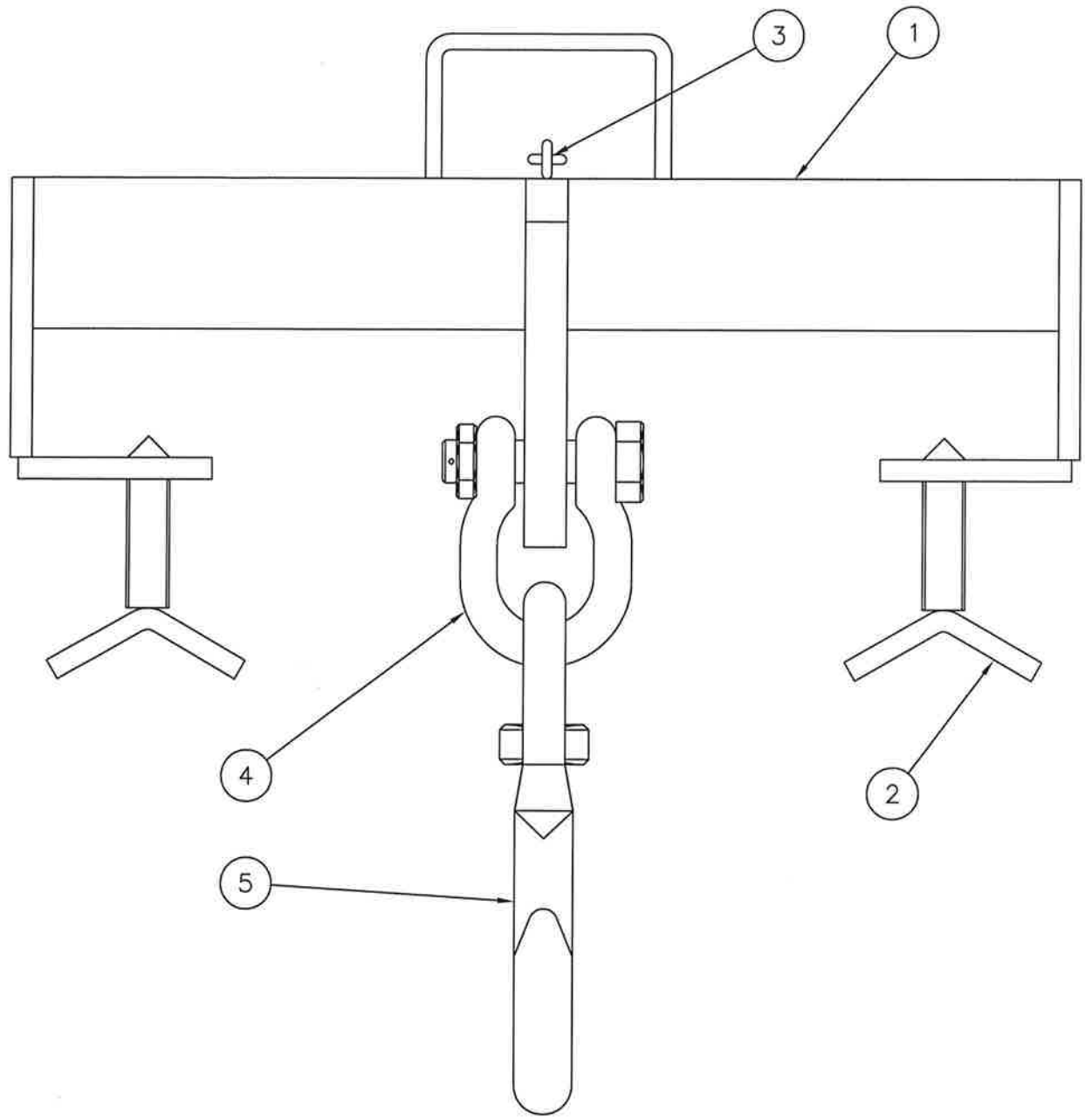
--TOLERANCES--

ANGULAR	± 0.5°	FRACTIONAL	± 1/32
DECIMAL	± .02	GENERAL	± 1/16
0.00	± .01	CUTTING	± 1/16
0.000	± .002	FORMING	± 1/16
0.0000	± .0005	WELDING	± 1/16

QUOTE NUMBER	DRAWN BY WJW
ORDER NUMBER	DRAWN DATE 10FEB04
UNSPECIFIED MACHINING ✓	CHECKED
SHAFT RADI MACHINING ✓	APPROVED
UNSPECIFIED WELDS	UOM EA
	WEIGHT (LBS) N/A

INDUSTRIAL EQUIPMENT LTD., STONEY CREEK, ONTARIO. -CANADA- (905) 664-4040			
INSTRUCTIONS- F45-1 FORKLIFT ATTACHMENT			
DERIVED FROM 30004255-0	SHT NO 2	DRAWING NO 30005300	REV NUM 0
SCALE 1/1	SHT OF 3	AV	

REV NUM	DATE	REVISION NOTICE	REVISION DESCRIPTION	BY	APRD
---------	------	-----------------	----------------------	----	------



5	30000875	HOOK- SWIVEL CARBON 5 TON	1	EA
4	30002737	SHACKLE- ANCHOR BOLT 6-1/2 TON 7/8 GALV	1	EA
3	30000904	HOOK- CLEVIS GRAB 2 TON	1	EA
2	30003290	SCREW WELDMENT- CLAMPING F45-1	2	EA
1	30003284	FRAME WELDMENT- F45-1	1	EA

ITEM	PART NUMBER	DESCRIPTION	QTY	UOM
------	-------------	-------------	-----	-----

THIS DOCUMENT IS THE PROPERTY OF MOTIVATION INDUSTRIAL EQUIPMENT LTD., AND SHALL NOT BE USED, COPIED OR TRANSFERRED TO ANY OTHER DOCUMENTS (WHOLLY OR PARTIALLY) WITHOUT PERMISSION OF MOTIVATION INDUSTRIAL EQUIPMENT LIMITED.

DO NOT SCALE DRAWING
 UNLESS OTHERWISE SPECIFIED DIMENSIONS ARE INCHES DIMENSIONS IN [] ARE MM
 --TOLERANCES--
 ANGULAR ± 0.5°
 DECIMAL ± .02
 FRACTIONAL ± 1/32
 GENERAL ± 1/16
 CUTTING ± 1/16
 FORMING ± 1/16
 WELDING ± 1/16

QUOTE NUMBER	DRAWN BY WJW
ORDER NUMBER	DRAWN DATE 10FEB04
UNSPECIFIED MACHINING ✓	CHECKED
SHAFT RADIUS MACHINING ✓	APPROVED
UNSPECIFIED WELDS	UOM EA
WEIGHT (LBS)	

MOTIVATION
 INDUSTRIAL EQUIPMENT LTD.,
 STONEY CREEK, ONTARIO. -CANADA- (905) 664-4040

INSTRUCTIONS- F45-1 FORKLIFT ATTACHMENT

DERIVED FROM 30004255-0	SHT NO 3	DRAWING NO 30005300	REV NUM 0
SCALE 1/4	SHT OF 3	AV	