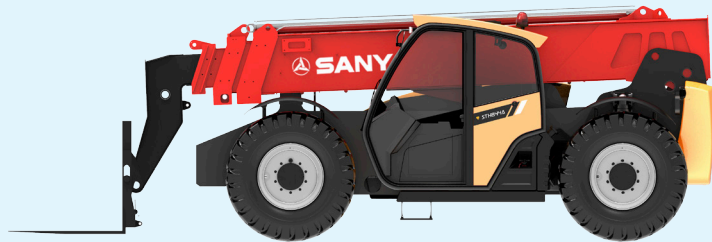


STH844A



Configurations

Item	Parameter
Engine	CUMMINS QSF3.8 T4
Power	55KW
Gearbox	DANA 1104FVDT12366
Axle	DANA 212HY/223
Tyre	13.00-24-16PR
Boom Frame	4 Sections Telescopic Boom
Steering Drive Model	4WD/3 Steering Models
Fuel Tank Capacity	135L

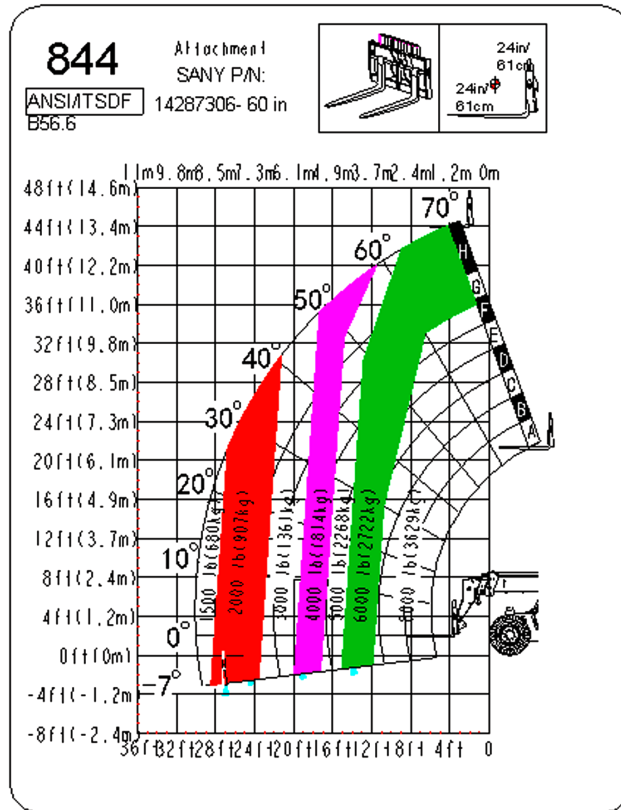
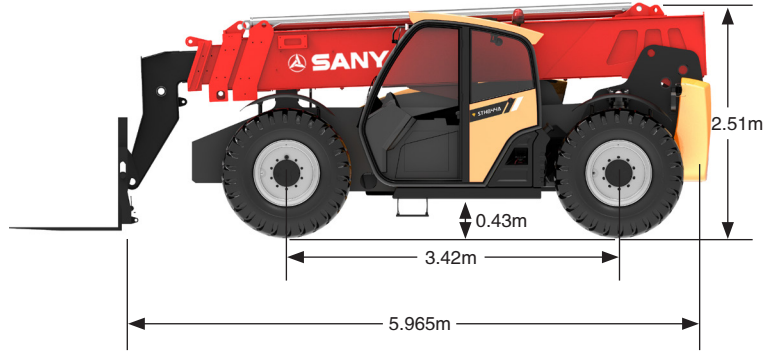
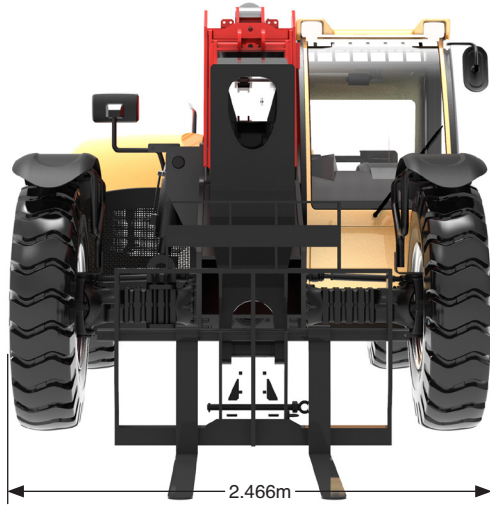
Dimension

Item	Unit	Parameter
Weight	kg	11600
L*W*H	in	242×97×100
Wheel Base	mm	3420
Minimum Turning Radius	m	4.3
Minimum Ground Clearance	m	0.43
Frame Leveling Angle	°	±10
Maximum Drive Speed	m/h	20
Maximum Traction	KN	86

Performance

Item	Unit	Parameter
Rated Capacity	kg	3630
Lift Capacity at Maximum Height	kg	2722
Lift Capacity at Maximum Reach	kg	680
Lift Capacity at Maximum Height (with outrigger)	NA	NA
Lift Capacity at Maximum Reach (with outrigger)	NA	NA
Lifting Capacity	m	13.4
Maximum Forward Reach	m	9.15
Maximum Elevation Angle	°	70
Maximum Depression Angle	°	-7
Maximum Lifting Speed	s	13/10.5
Maximum Descending Speed	s	15/13
Fork Arm Extend Speed	s	14
Fork Arm Retract Speed	s	14

STH844A



SANY MARINE HEAVY INDUSTRY CO., LTD.

SANY Industrial Park, Gaolan Port Economic and Development Zone,
Zhuhai, Guangdong, China

Tel +86-756-7266963 Service +86-4008-87-8318

Materials and specifications are subject to change without prior notice. Featured machines in photos may include additional equipment.
© 2021 SANY. All Rights Reserved.

