



**CONSTRUCTION LIFT AND PLACE | LOADALLS**  
506-36 / 507-42 / 509-42 / 510-56 / 512-56 / 514-56 / 516-42

Gross power: 74hp / 55kW – 109hp / 81kW | Lift capacity: 6,000lb – 16,000lb, | Lift height: 36-4ft-in – 56ft





## JCB LOADALL: ULTIMATE RETURN ON INVESTMENT.

**JCB LOADALLS ARE ONE OF NORTH AMERICA'S FAVORITE CONSTRUCTION VEHICLES, AND NO WONDER. AVAILABLE IN A HUGE RANGE OF DIFFERENT STYLES AND SIZES, OUR VERSATILE TELEHANDLERS OFFER YOU ALL THE DURABILITY, VERSATILITY AND LOW COST OF OWNERSHIP THAT YOU NEED TO COMPETE IN TODAY'S CROWDED CONSTRUCTION MARKET, WHETHER YOU'RE WORKING IN RENTAL OR ON THE SITE ITSELF.**

Having pioneered the Telehandler concept back in 1977, JCB remains the world's number one Telehandler manufacturer to this day. One reason for our success is that we are a company that manufactures a high percentage of our machines' componentry including engine, axles, rams, chassis' and booms. This means that a JCB telescopic handler is perfectly matched to our customers' requirements, our components are fully integrated and its levels of build quality are unsurpassed.

Our EcoMAX Tier 4 Final engine, for example, is a highly productive unit that's designed to work in perfect harmony with our own full drivetrain. And we manufacture all of our own chassis and booms, which means we can ensure the very highest levels of structural integrity to cope with the demands of the construction industry.

Through our worldwide dealer network you have a 'one stop shop' for parts and service, while JCB Loadalls also boast extended service intervals and simplified maintenance procedures. Our telescopic handlers remain highly desirable long after their initial purchase too. So much so that, throughout the world, JCB telescopic handlers can boast premium residual values.

All of which means that if you want the most productive, most efficient and the safest telescopic handler combining ultimate strength with quick and easy servicing; delivering the lowest possible cost of ownership, then you really only have one choice: a JCB Loadall.







# ULTIMATE PERFORMANCE, ULTIMATE PRODUCTIVITY.

OUR COMPREHENSIVE JCB LOADALL RANGE IS DESIGNED TO MAKE THE MOST EFFICIENT USE OF YOUR TIME AND MONEY. THAT MEANS YOU CAN EXPECT SUPERLATIVE PERFORMANCE, VERSATILITY, VISIBILITY, CYCLE TIMES AND ERGONOMICS. EXCELLENT PRODUCTIVITY IS, THEREFORE, A GIVEN.

Variable geometry turbo technology provides excellent performance at low revs, which means you can expect superior fuel efficiency.

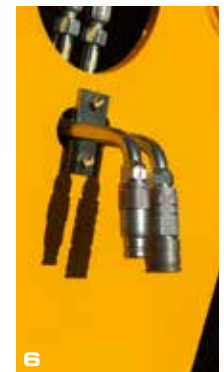
## A productive machine.

- 1 A JCB Loadall is extremely maneuverable; the compact wheelbase and large steering lock angles can help to save you valuable travel time on site, especially where space is limited.
- 2 Because we offer such a wide range of construction JCB Loadall models, you can always find a perfect machine for any construction requirement with different lift heights and capacity.
- 3 With power and torque delivered at low engine speeds, the JCB EcoMAX T4 Final engine offers great responsiveness.



## Productive lifting and hydraulics.

- 4 For ergonomic, fast and precise control JCB Loadalls are fitted with a fully proportional twin lever or an optional single lever.
- 5 Sway frames enable an operator to make their machines absolutely level before commencing lifting.
- 6 Auxiliary spools are fitted as standard, ensuring your JCB Loadall can be used with a wide range of attachments for maximum versatility.



### Stability meets agility.

7 Rear axle stabilization, standard on 507-516, improves stability while lifting.

8 A construction Loadall has three selectable steer modes. There's two wheel steer, which is ideal for travelling at high speed on the road; four-wheel steer for working in tight spaces; and crab steer for maneuvering close to walls and buildings.

9 High Lift Loadall models 510-516 have additional front stabilizers attached to the chassis; this helps to maximize the overall lift capacity of your machine.



8



9



7



## A SOUND INVESTMENT.

By producing high levels of power and torque even at engine speeds as low as 1300–1400rpm, EcoMAX can provide fuel-efficient matching of transmission and hydraulics.

A JCB LOADALL ISN'T JUST EFFICIENT TO USE; IT'S HUGELY EFFICIENT TO OWN AND OPERATE TOO. THESE MACHINES ARE DESIGNED TO GIVE YOU MAXIMUM RETURN ON INVESTMENT, WITH GREAT FUEL EFFICIENCY, UNPARALLELED RESALE VALUE, LOW RUNNING COSTS ALL PART OF THE PACKAGE.



### EcoMAX efficiency.

**1** Many competitor machines require a diesel particulate filter (DPF) to meet Tier 4 Final legislation. Instead, a JCB Loadall uses a sealed-for-life SCR system. Among the numerous benefits of this setup is the fact that there's no loss of productivity due to DPF regeneration.

**2** A 3.5" color TFT screen on the dash provides operators with useful information such as efficient running, fuel remaining, fuel used since last fill, and current average fuel consumption figures, with Tier 4 Final this will now also show DEF (Diesel Exhaust Fluid) level and current warnings.

**3** These JCB Loadalls have a precise high speed double boom chain extension system to maximize job site efficiency.





## Cost of ownership.

4 Your engine can be remapped to run on lower-grade fuels, which means your machine (where legislation permits) can be resold across many different territories, with a corresponding boost to residual values. The 74hp (55kW) engine is already Tier 4 Final compliant and requires no after treatment. This means all 74hp (55kW) engine options will not require any after treatment and therefore will not require DEF.

5 You'll find that a JCB Loadall is a great asset in many respects, not least financially – huge global demand, plus legendary productivity, plus superb build equates to high residual values across the globe.

6 Our semi-solid tire option minimizes down time by protecting against punctures.

7 By being close to our customer base we have a thorough understanding of the importance of uptime and driving down cost of ownership.



4



5



6

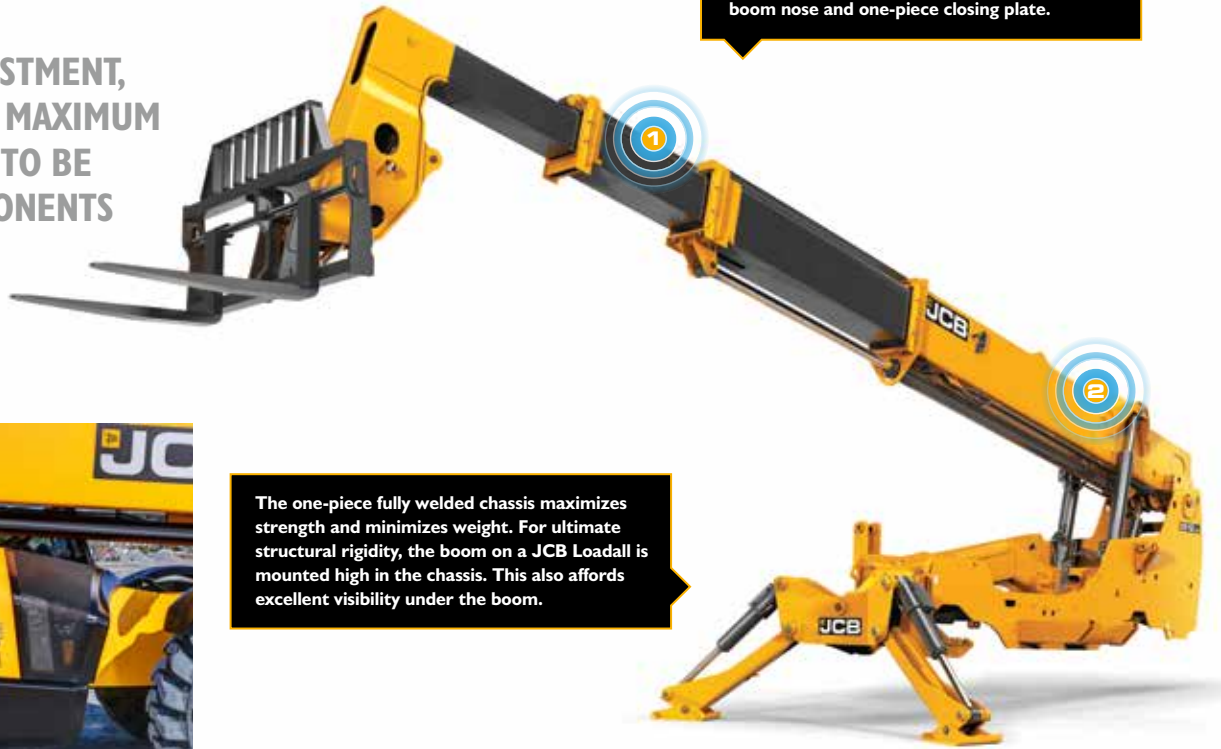


7

# STRENGTH AND DURABILITY.

IN ORDER TO MAXIMIZE YOUR RETURN ON INVESTMENT, A TELEHANDLER NEEDS TO PROVIDE YOU WITH MAXIMUM UPTIME. WE THEREFORE BUILD JCB LOADALLS TO BE EXTREMELY TOUGH, USING TOP QUALITY COMPONENTS AND INNOVATIVE MANUFACTURING PROCESSES SO THAT YOU ENJOY A LONG SERVICE LIFE.

A tough inverted U-shaped boom pressing with fully welded closing plates provides superior strength; we've also reduced the number of joints and stress points across our integrated boom nose and one-piece closing plate.



## Tough boom design.

- 1 For ultimate strength and durability, we've built in large boom overlaps of up to 3.2ft.
- 2 Hoses are routed through the boom for maximum protection.

The one-piece fully welded chassis maximizes strength and minimizes weight. For ultimate structural rigidity, the boom on a JCB Loadall is mounted high in the chassis. This also affords excellent visibility under the boom.

## Built-in protection.

- 3 Engine hoods on JCB Loadalls are protected from damage by being side-mounted and recessed.
- 4 You can fold the optional rear lights up to keep them protected from damage.
- 5 Opt for front and top screen roof guards to increase protection from falling objects.





## Durable components.

6 JCB telehandlers undergo a stringent testing program that includes prolonged high stress loading of the chassis, boom and other key components, as well as repeated transmission use over thousands of cycles.

7 The Tier 4 Final engine builds on the proven success of the JCB EcoMAX platform. Since the start of the engine program we have achieved over 200,000 hours of testing across the toughest applications and environments.

8 At JCB, we make our own hydraulic cylinders, cabs, axles, transmissions and engines – all designed to work in perfect harmony for optimum reliability.

JCB Loadalls also boast 500hrs extended service intervals and simplified maintenance procedures, and with our worldwide dealer network you have a 'one stop shop' for parts and service. Our telescopic handlers remain highly desirable long after their initial purchase too. So much so that, throughout the world, JCB telescopic handlers can boast premium residual values.



6



7



8





## A SLICK OPERATION.

JCB LOADALLS HAVE ONE OF THE LARGEST CABS OR CANOPIES AROUND. CAB BUILDS BENEFIT FROM CLASS-LEADING LOW NOISE LEVELS AND EXCELLENT AIR FLOW, VENTILATION AND DEMISTING. ADD OPTIONAL AIR CONDITIONING AND A FULLY ADJUSTABLE SUSPENSION SEAT AND STEERING COLUMN, AND YOU HAVE ONE VERY COMFY, PRODUCTIVE OPERATOR.



### Ergonomic controls.

**1** For ergonomic, fast and precise control JCB Loadalls are fitted with a fully proportional twin lever or an optional single lever. This makes them exceptionally intuitive for telehandler operators to use.

**2** Switches are all backlit for crystal clear recognition, even in dark conditions.

**3** New instruments and a 3.5" color TFT screen form an intuitive automotive-style layout.





### Comfort and convenience.

- 4 All around visibility is excellent thanks to direct glazing, large roof screen and low engine bay.
- 5 The 7-speed fan heater creates the most comfortable, productive operator environment. Optional air conditioning is perfect for work sites in hotter climates.
- 6 To create the perfect driving position, opt for the easily adjustable tilting telescopic steering column. The exterior top door slam latch is new – you can now close the upper door from outside.
- 7 Standard-fit JCB fenders provide superior protection from dirt and spray.
- 8 We have a choice of two operator environments to suit any climate: fully glazed or canopy cab. Opt for mesh instead of side glass on canopy builds.





## SAFE AND SECURE.

A JCB LOADALL CAN SAVE MORE THAN JUST TIME AND MONEY – IT CAN SAVE ITSELF AND ITS OPERATOR FROM POTENTIALLY HAZARDOUS SITUATIONS. STRINGENT SAFETY MEASURES HELP TO PREVENT ACCIDENTS, WHILE EFFECTIVE SECURITY TECHNOLOGY GUARDS AGAINST THEFT.

### A safer choice.

- 1** For quick, easy and safe access, JCB Loadall operators have three points of contact at all times when getting in and out of the machine with low access and single step.
- 2** Hose burst check valves on the rams prevent collapse in the event of a hose failure.
- 3** A JCB Loadall has excellent rearward visibility; the high boom profile and pivot, meanwhile, give operators a good view underneath the boom. A reverse alarm is a standard feature on all JCB telehandlers.
- 4** There's a full set of side and rear view mirrors for all-around visibility and safety compliance.
- 5** To keep your operators safe at all times, the full cab or canopy are both ROPS and FOPS certified.
- 6** JCB's innovative boom chain system uses large chains for added peace of mind; All chains are even doubled.





## LESS SERVICING, MORE SERVICE.

NATURALLY, YOU'LL WANT YOUR JCB LOADALL TO SPEND AS MUCH TIME AS POSSIBLE AT WORK, NOT BEING WORKED ON. THAT'S WHY THESE MACHINES HAVE LONG SERVICE INTERVALS AND, WHEN MAINTENANCE DOES NEED TO BE CARRIED OUT, YOU'LL FIND IT QUICK AND EASY TO PERFORM.

For fast, easy inspection of 3 sides of the engine, construction Loadalls have a large, wide service bay, accessed by a gas-assisted engine hood.

### Minimizing downtime.

- 1 It's easy to fill both the diesel and AdBlue tanks from ground level. Both tanks also have built-in pre-filters in the filler necks to guard against dirt and contaminants.
- 2 Twin batteries are fitted on 509-516 models to aid cold starting and are protected by a hinged door that offers easy access, yet has locking bolts for security.
- 3 All daily checks and greasing can be carried out at ground level on a JCB Loadall.
- 4 A dry lubricant system makes our wear pads extremely durable, with service intervals of 500 hours.
- 5 The filters on an Loadall (engine oil, hydraulic oil and fuel) are centrally located for fast, easy servicing. The air filter is easily accessible, and its double-element design simplifies cleaning.





# THE JCB ENERGY MASTER LOADALL.

THE JCB ENERGY MASTER LOADALL RANGE IS DESIGNED TO MEET THE EXACT NEEDS OF THE OIL AND GAS SECTORS. JCB'S ENERGY MASTER KIT IS AVAILABLE ON 509-516 LOADALL MODELS. PUT SIMPLY, YOU CAN CUSTOMIZE AN ENERGY MASTER MACHINE TO EXCEL ON ANY WORKSITE, FROM THE BLAZING SUN OF TEXAS TO THE FROZEN TUNDRA OF ALASKA.

## Fully charged for energy applications.

**1** Operate with near-daylight visibility in any light conditions with extra LED spotlights available for the front and rear of the cab. There are also boom and peripheral worklight options.

**2** To comply with oil and gas regulations and to ensure safe operation on the worksite, Energy Master Loadalls are fitted with a strobe or flashing beacon as well as internal and external fire extinguishers.

**3** Each of these custom machines comes fitted with unique and distinctive Energy Master branding.

**4** There's auxiliary venting to ensure that attachments can be switched as quickly and efficiently as possible.

**5** Front stabilizers\* increase lifting capacity and allow you to create a level platform even on undulating ground.

**6** Because accidents can happen on site, there's a steel lower door. Similarly, we offer a side mesh instead of side glass on canopy cabs.

*\*Model dependent.*





**Drilling down time.**

- 7** Single lever joystick controls can make operation smoother and more precise, also making machine operation faster.
  - 8** An auxiliary relief valve fitted to the boom retract system prevents operators from using the boom to pull excessive loads. It therefore protects both the boom and its chains from misuse and damage.
  - 9** Give yourself valuable added puncture protection with our semi-solid tire option reducing long term cost of ownership.
  - 10** Speed up the process when picking up suspended loads with a crane hook option. This useful feature mounted on the boom nose end allows operators to simply hook onto many different loads without changing attachments.
- Moving equipment around a worksite is easy with our tow hitch option; it has a capacity of 6000 lbs.



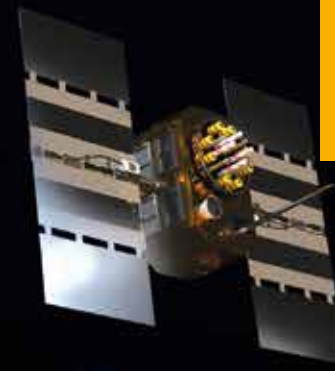


# LIVELINK, WORK SMARTER.

**LIVELINK IS AN INNOVATIVE SOFTWARE SYSTEM THAT LETS YOU MANAGE JCB MACHINES REMOTELY – ONLINE, BY EMAIL OR ON YOUR CELL PHONE. ACCESS EVERYTHING FROM MACHINE ALERTS TO FUEL REPORTS AND HISTORY INFORMATION, WITH ALL DATA STORED AT A SECURE CENTER.**

## Productivity and cost benefits

By providing information like idle time monitoring and machine fuel consumption, JCB Livelink helps reduce your fuel usage, saving money and improving productivity. Machine location information can help improve efficiency and perhaps even reduce insurance costs.



## Maintenance benefits

Manage machine maintenance easily – accurate hours monitoring and service alerts improve maintenance planning, while real-time location data helps you manage your fleet. Critical machine alerts and maintenance history records are also available.



## Security benefits

Keep your machine operating safely with JCB Livelink. Real-time geofencing alerts tell you when machines move out of predetermined operating zones, and real-time curfew alerts inform you if machines are being used when they're not supposed to be. Real time location information helps you store your machines in the safest places.





## VALUE ADDED.

JCB'S WORLDWIDE CUSTOMER SUPPORT IS FIRST CLASS. WHATEVER YOU NEED AND WHEREVER YOU ARE, WE'LL BE AVAILABLE QUICKLY AND EFFICIENTLY TO HELP MAKE SURE YOUR MACHINERY IS PERFORMING TO ITS FULL POTENTIAL.

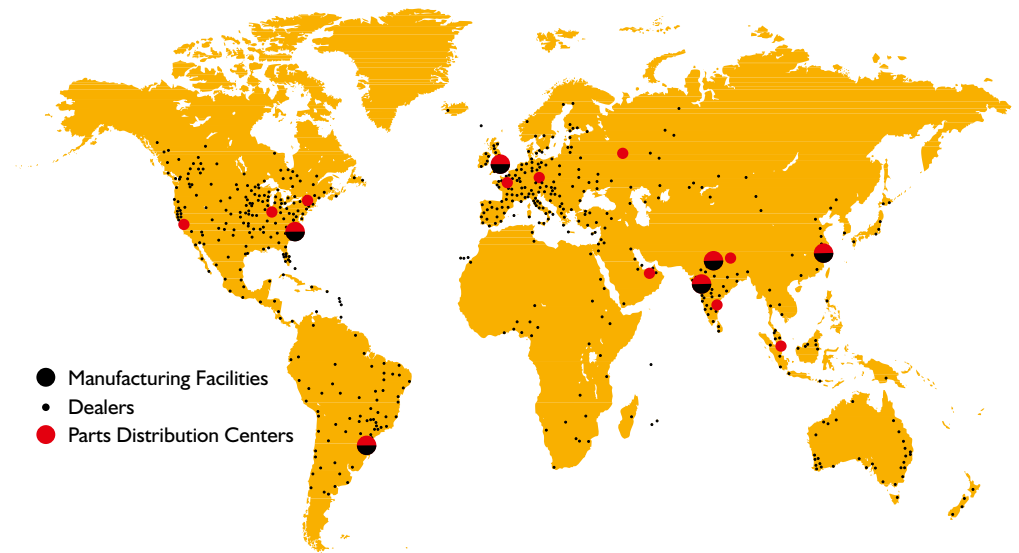


1 Our Technical Support Service provides instant access to factory expertise, day or night, while our Finance and Insurance teams are always on hand to provide fast, flexible, competitive quotes.

2 The global network of JCB Parts Centers is another model of efficiency; with 16 regional bases, we can deliver around 95% of all parts anywhere in the world within 24 hours. Our genuine JCB parts are designed to work in perfect harmony with your machine for optimum performance and productivity.



3 JCB Assetcare offers comprehensive extended warranties and service agreements, as well as service-only or repair and maintenance contracts. Irrespective of what you opt for, our maintenance teams around the world charge competitive labour rates, and offer non-obligation quotations as well as fast, efficient insurance repair work.



## ATTACHMENTS.

**CUSTOMERS CHOOSE JCB MACHINES FOR MAXIMUM EFFICIENCY, PRODUCTIVITY, AND THIS IS DELIVERED THROUGH AN EXTENSIVE RANGE OF ATTACHMENTS.**

### **Wide range of carriages and attachments.**

- 1** Standard carriages available from 48" to 66" wide to match the job in hand. Quick attach system makes attachment changes quick and easy.
- 2** Side tilting and side-shifting carriages are also available for better load positioning.
- 3** Speed up the process when picking up suspended loads with a crane hook mounted on the forks utilizing the full versatility of your JCB Loadall.
- 4** The option of a light weight trash shovel gives added versatility around any work site to handle trash and small amounts of aggregate.
- 5** Equip your machine with a heavy-duty extendable jib and you'll extend the carriage, providing extra reach when carrying lighter loads.

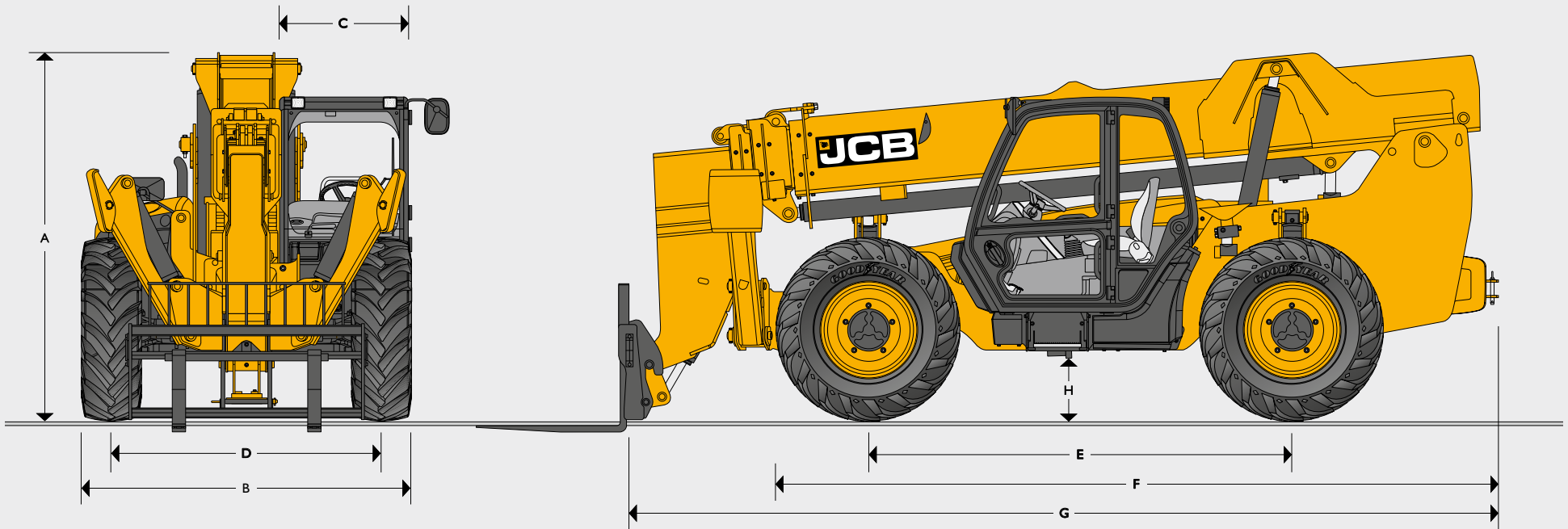
Single auxiliary hydraulics fitted as standard on all models.







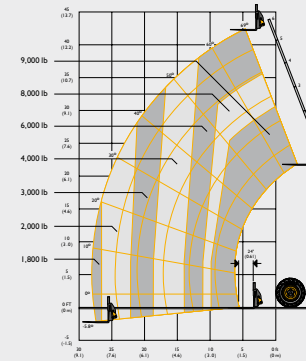
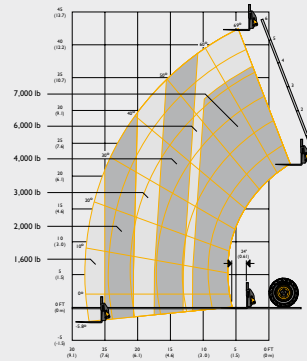
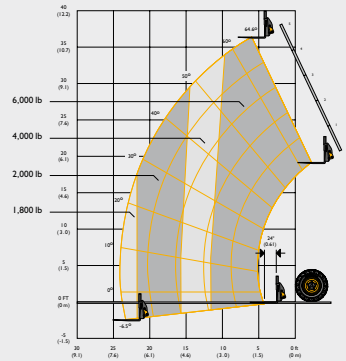
STATIC DIMENSIONS



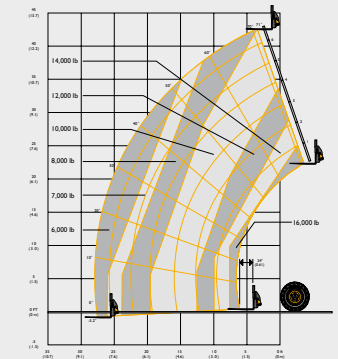
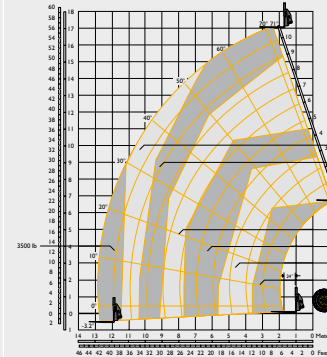
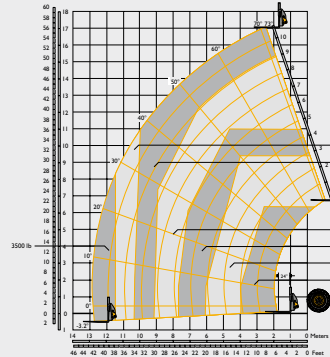
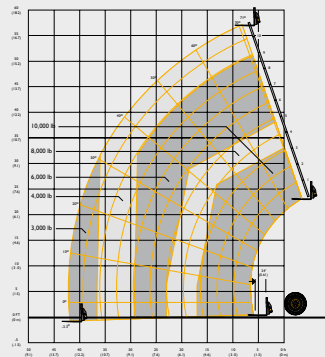
Machine model		506-36	507-42	509-42	510-56	512-56	514-56	516-42
A Overall height	ft-in (mm)	8-3 (2510)	8-3 (2525)	8-3 (2525)	8-10 (2692)	8-10 (2692)	8-11 (2716)	8-11 (2716)
B Overall width (over tyres)	ft-in (mm)	7-10 (2388)	7-10 (2388)	7-10 (2388)	8-1 (2471)	8-1 (2471)	8-1 (2475)	8-1 (2475)
C Inside width of cab	ft-in (mm)	3-1 (940)	3-1 (940)	3-1 (940)	3-1 (940)	3-1 (940)	3-1 (940)	3-1 (940)
D Front track	ft-in (mm)	6-4 (1936)	6-7 (2008)	6-7 (2008)	6-7 (2008)	6-7 (2008)	6-7 (2008)	6-7 (2008)
E Wheelbase	ft-in (mm)	10-4 (3150)	10-4 (3150)	10-4 (3150)	10-4 (3150)	10-4 (3150)	10-4 (3150)	10-4 (3150)
F Overall length to front tyres	ft-in (mm)	17-1 (5211)	17-8 (5386)	17-0 (5183)	17-9 (5406)	17-9 (5406)	18-4 (5596)	18-4 (5596)
G Overall length to front carriage	ft-in (mm)	19-5 (5918)	21-3 (6477)	20-7 (6274)	21-7 (6579)	21-7 (6579)	22-4 (6815)	22-4 (6,815)
H Ground clearance	ft-in (mm)	1-3½ (396)	1-3½ (396)	1-3½ (396)	1-5½ (444)	1-5½ (444)	1-5½ (444)	1-5½ (444)
Outside turn radius (over tyres)	ft-in (mm)	14-6 (4420)	13-9 (4191)	13-9 (4191)	14-1 (4293)	14-1 (4293)	14-4 (4365)	14-4 (4,365)
Weight	lb (kg)	20270 (9193)	21300 (9660)	22430 (10172)	29900 (13560)	30635 (13895)	32143 (14580)	32055 (14540)
Tires		13.00-24	14.00-24	14.00-24	17.5-25	17.5-25	17.5-25	17.5-25



LIFT PERFORMANCE



Machine model		506-36	507-42	509-42
Lift height	ft-in (mm)	36-4 (11070)	42-0 (12800)	42-0 (12800)
Maximum lift capacity	lb (kg)	6000 (2722)	7000 (3175)	9000 (4084)
Lift capacity to full height (on tires)	lb (kg)	6000 (2722)	6000 (2722)	6000 (2722)
Lift capacity at full reach	lb (kg)	1800 (816)	1600 (725)	1800 (816)
Reach at maximum lift height	ft-in (mm)	6-4 (1930)	4-11 (1500)	4-11 (1500)
Maximum forward reach	ft-in (mm)	24-0 (7310)	28-0 (8530)	28-0 (8530)
Frame sway left or right	degrees	10	10	10



Lift data provisional.

Machine model		510-56	512-56	514-56	516-42
Lift height	ft-in (mm)	56-0 (17070)	56-0 (17070)	56-0 (17070)	42-0 (12800)
Maximum lift capacity	lb (kg)	10000 (4537)	12000 (5444)	14000 (6350)	16000 (7257)
Lift capacity to full height (on tires)	lb (kg)	3000 (1361)	4000 (1814)	4000 (1814)	6000 (2721)
Lift capacity to full height (on stabilizers)	lb (kg)	4000 (1814)	5000 (2268)	5000 (2268)	10000 (4537)
Lift capacity at full reach (on tires)	lb (kg)	300 (136)	300 (136)	500 (227)	2000 (907)
Lift capacity at full reach (on stabilizers)	lb (kg)	3000 (1360)	3500 (1587)	3500 (1587)	5000 (2267)
Reach at maximum lift height	ft-in (mm)	8-2 (2490)	8-2 (2490)	8-2 (2490)	4-11 (1500)
Maximum forward reach	ft-in (mm)	42-0 (12800)	42-0 (12800)	42-0 (12800)	28-0 (8530)
Frame sway left or right	degrees	10	10	10	10

ENGINE			
Machine model		506-36 / 507-42 / 509-42	509-42 / 510-56 / 512-56 / 514-56 / 516-42
Emissions level		Stage IV / Tier 4	Stage IV / Tier 4
Manufacturer		JCB	JCB
Displacement	ltr	4.4	4.4 / 4.8
No. of cylinders		4	4
Bore size	in (mm)	4.05" (103)	4.05" (103)
Stroke	in (mm)	5.0" (132)	5.0" (132)
Aspiration		Turbocharged cooled	Turbocharged cooled & Intercooler
<b>Power rating</b>			
Power @ 2200rpm	hp (kW)	74 (55)	109 (81)
<b>Torque rating</b>			
Torque @ 1300rpm	Nm	400	512
After treatment		N/A	SCR & DEF

SERVICE CAPACITIES			
Hydraulic tank	gallon (litres)		35 (132)
Coolant	gallon (litres)		6 (23)
Engine oil sump	gallon (litres)		3.6 (14)
Fuel tank	gallon (litres)		33.3 (126.3)
DEF tank (Adblue)	gallon (litres)		4.5 (17.3)

CYCLE TIMES									
Machine model		506-36	507-42	509-42	510-56	512-56	514-56	516-42	
Lift	Seconds	11.2	11.7	13.8	18	18	16.8	16.4	
Lower	Seconds	7.3	7.6	9.2	12.4	12.4	15.5	14.7	
Extend	Seconds	8.5	9.7	9.7	24.2	24.2	22.7	13.6	
Retract	Seconds	9.9	10.6	10.6	16.4	16.4	16.4	14.7	
Bucket dump	Seconds	4	4	4	6.4	6.4	6.4	4.3	
Bucket crowd	Seconds	3	3	3	3.7	3.7	4.5	4.2	
Stabilizer down	Seconds	N/A	N/A	N/A	5.5	5.5	5.5	5.5	
Stabilizer up	Seconds	N/A	N/A	N/A	4	4	4	4	
Rear Axle Stabilization (RAS) System	Seconds	No	Yes	Yes	Yes	Yes	Yes	Yes	

HYDRAULICS		
Two stage gear pump with suction strainer and filter		
Operating system pressure bar	psi (bar)	3770 (260)
Main hydraulics l/min	gal/min (l/min)	29 (110)
<b>TRANSMISSION</b>		
JCB powershift transmission incorporating torque converter, bevel box and a 4 speed powershift gearbox in one resiliently mounted unit. Front and rear drive axles: JCB epicyclic hub reduction drive/steer axles with Max-Trac torque proportioning differentials. Travel speed: 15.5mph (25kph).		
<b>BRAKES</b>		
Service brakes: Hydraulically activated, self-adjusting, oil-immersed in-board high back-off multi-disc type on front axle. Parking brake: Hand-operated disc brake on output of gearbox (55kW/74hp 81kW/109hp) – oil immersed disc type).		
<b>BOOM AND CARRIAGE</b>		
Boom is manufactured from high tensile steel. JCB self-levelling carriage pallet forks and a wide range of attachments.		
<b>ELECTRICS</b>		
12v negative earth. 95 AH battery. 95 amp alternator. Full road lighting. Reversing light. Direction indicators.		
<b>STEERING</b>		
Hydrostatic power steering with power track rods on both axles. Three steer mode options: front wheel steer; all wheel steer; crab steer: operated from in the cab by a selection lever.		
<b>CAB</b>		
Quiet, safe and comfortable cab conforms to ROPS ISO 3471 and FOPS ISO 3449. Tinted glass all round with laminated front and roof screen. Roof bars, front, rear and roof screen wash/wipe and heater/screen demister. Audio-visual warning system for coolant temperature, water in fuel, engine oil pressure, air cleaner, battery charge, transmission oil temperature and pressure. Hour meter and road speed indicator. Engine temperature, fuel gauge and clock. Adjustable steering column with stalk bar powershift change and forward reverse shuttle. Throttle and brake pedal floor mounted. Adjustable suspension seat with adjacent park brake.		
<b>OPTIONS AND ACCESSORIES</b>		
Front and rear working lights, rotating flashing beacon, fire extinguisher, radial industrial tyres, windscreen and roof guard, radio kit, air conditioning, carriage options available – contact your local dealer.		



**ENERGY MASTER SPECIFICATION**

Machine model	506-36	507-42	509-42	510-56	512-56	514-56	516-42
LED boom work lights (boom)	N/A	N/A	●	●	●	●	●
LED work lights (front and rear)	N/A	N/A	●	●	●	●	●
LED work lights (peripheral)	N/A	N/A	●	●	●	●	●
Single lever joystick	N/A	N/A	●	●	●	●	●
Fire extinguishers internal and external	N/A	N/A	●	●	●	●	●
Boom retract ARV	N/A	N/A	●	●	●	●	●
Auxiliary venting	N/A	N/A	●	●	●	●	●
Steel lower door	N/A	N/A	●	●	●	●	●
Solideal 14-24 solid fill	N/A	N/A	●	●	●	●	●
Mechanical tow hitch 6000 lbs	N/A	N/A	●	●	●	●	●
Boom sky hook	N/A	N/A	●	●	●	●	●
Mesh side screen (canopy cab option only)	N/A	N/A	○	○	○	○	○
Energy Master branding decal	N/A	N/A	●	●	●	●	●
Beacon strobe light	N/A	N/A	●	●	●	●	●

● Standard

○ Option

