



Operators Manual

**Portable Heat Exchangers
Model 80, 200, and 600**

April 2016
Version 1

Dryair Manufacturing Corp.
400 Service Road,
St. Brieux, SK., Canada, S0K 3V0
Tel: 306-275-4848 1-888-750-1700
Fax: 306-275-4664
dryair@dryair.ca

Dryair Manufacturing Corp.
1095 N. Main Street
Bowling Green, Ohio, USA, 43402
Tel: 419-354-8546 1-866-354-8546
Fax: (419) 354-9706
dryair@dryair.us

Table of Contents

1. Warranty Policies & Claim Procedures.....	1-4
1. Warranty Policies.....	1-4
1. Extended warranty policy	1-4
2. Exceptions to the warranty policies	1-5
3. Owners Obligations.....	1-5
4. Manufacture Obligations.....	1-5
2. Warranty Claim Procedure	1-5
2. Safety Concerns	2-1
1. General Safety Concerns	2-1
2. Heating Appliance	2-1
3. Heat transfer Fluid.....	2-1
3. Introduction & Installation	3-1
1. Positioning.....	3-1
2. Electrical Connections.....	3-1
3. Fluid Connections.....	3-2
4. Operation	4-1
1. Controls	4-1
5. Troubleshooting.....	5-1
1. Fan does not start.....	5-1
2. Fans running but no heat	5-1
3. Heat transfer fluid is leaking.....	5-1
6. Maintenance	6-1
1. Daily Checklist	6-1
1. Check the air filter daily if applicable (not supplied by DRYAIR)	6-1
2. Check the heat coil for cleanliness or clogging.	6-1
3. Check all fluid fittings and connections daily.	6-1
2. Storage.....	6-1
1. Hardware.....	6-1
2. Hose & Poly	6-1
3. Heat Transfer Fluid	6-1
7. Appendix	7-1
1. Electric Schematics.....	7-1
2. Product Dimensions.....	7-4
3. Heat Transfer Fluid Information	7-5
1. Boss Lubricants	7-5
2. DOW	7-13

Table of Figures

Figure 2-1: DECAL CAUTION GLYCOL SHUTOFF VALVE	2-1
Figure 2-2: DECAL CAUTION NON-EXPLOSION PROOF	2-1
Figure 3-1: Portable Heat Exchanger - Model 200	3-1
Figure 7-1: Model 80 Electrical Schematic	7-2
Figure 7-2: Model 200 Electrical Schematic	7-2
Figure 7-3: Model 600 Electrical Schematic	7-3
Figure 7-4: Model 80 Product Dimensions.....	7-4
Figure 7-5: Model 200 Product Dimensions.....	7-4
Figure 7-6: Model 600 Product Dimensions.....	7-4

1. Warranty Policies & Claim Procedures

DRYAIR MANUFACTURING CORP. (referred to within as DRYAIR) warrants its new, unused equipment to be free of defects in material and workmanship at the time of delivery to the original retail purchaser.

1. Warranty Policies

Basic warranty policy

-) DRYAIR will repair or replace, at its option, without charge, any defective part of the equipment for a period of twelve (12) months from delivery to the first retail purchaser, F.O.B St. Brieux, SK., Canada or Bowling Green, Ohio.
-) Mileage is not covered. Any parts that are covered by an extended warranty published by DRYAIR are an exception to the Basic Warranty policy and are to be warranted as per the details of the Extended Warranty Policy.
-) Labor is covered as per DRYAIR flat labor rate.
-) The Warranty Policy, terms and conditions, may change from time to time without prior notice.
-) Warranty terms and conditions are transferable in the event of the sale to a second owner.
-) Replacement parts will be warranted for 90 days from the repair date. Bill of sale must accompany the warranty claim.
-) The terms of this Warranty Policy are subject to provincial and state legislation. DRYAIR reserves the right to make modifications in accordance with provincial and state legislation without prior notice or obligation.

1. Extended warranty policy

Heat exchanger

-) An extended warranty is available on the heat exchanger unit of the water heater assembly. The available warranty for a part, under the extended warranty policy, is prorated by 20% per year.
-) (Shipment date is the date to be used for the commencement of the warranty period).
-) Coverage schedule

Year 1 - 100%
Year 2 - 80%
Year 3 - 60%
Year 4 - 40%
Year 5 - 20%

2. Exceptions to the warranty policies

-) Under no circumstance shall the owner be entitled to recover costs for incidental, special or consequential damages such as, but not limited to: loss of profit or revenue, other commercial losses, inconvenience and/or replacement equipment rental cost.
-) Maintenance, repair or service items not related to warrantable defects.
-) Loss or damage during shipping.
-) Failure resulting from lack of or improper maintenance.
-) Damage caused by operator abuse, negligence or improper operation.
-) Damage resulting from improper voltage supply.
-) Damage from improper installation. Installation done by other than the manufacturer.
-) Non-defective items replaced at the request of the customer.
-) Damage due to accidents.
-) Damage resulting from improper fuel supply (i.e. pressure or contamination).
-) Damage resulting from cracked or broken lines occurring during transport.
-) Damage resulting from use of inadequate or improper fluids (i.e. Glycol or oil).

3. Owners Obligations

-) It is the responsibility of the owner, at the owner's expense, to transport the equipment to the service facility of an authorized DRYAIR distributor/dealer or alternately to reimburse the distributor/dealer, for any traveling expenses incurred in fulfilling this warranty.
-) The terms of this Warranty Policy are subject to provincial and state legislation. DRYAIR reserves the right to make modifications in accordance with provincial and state legislation without prior notice or obligation.
-) It is the responsibility of the owner to read, understand and implement the maintenance, safety and operational guidelines as laid out in the Operation and Maintenance Guide.
-) All parts to be tagged with warranty claim number and shipped prepaid to DRYAIR within 30 days.

4. Manufacture Obligations

-) DRYAIR reserves the right to continually improve the product's parts or specifications at any time without notice or obligation.
-) The terms of this Warranty Policy are subject to provincial and state legislation. DRYAIR reserves the right to make modifications in accordance with provincial and state legislation without prior notice or obligation.

2. Warranty Claim Procedure

-) All warranty credits must be processed with the DRYAIR Warranty Claim Form.
-) All warranty parts, unless otherwise specified, are to be returned to DRYAIR along with a completed Warranty Claim Form.

Note: Prior to returning warranty parts, please call for an authorization number and shipping instructions from the Warranty department in Canada.

Location of Warranty Depots

USA DRYAIR
Manufacturing Corp.
1095 N. Main Street
Bowling Green, OH
43402
Ph.1 (866)354-8546

Canada DRYAIR
Manufacturing Corp.
400 Service Road
Box 126
St. Brieux,SK
S0K 3V0
Ph. 1 (888) 750-1700

|

-) Each warranty claim should only refer to one Serial or Production Schedule numbered unit.
-) Warranty parts are to be tagged with warranty claim number.
-) When claiming for warranty labour, the allowable warranty labour rate will be \$65.00/hour. The factory reserves the right to adjust the number of hours claimed there deemed necessary.
-) The factory may at times specify allowable labour for certain warranty procedures.
-) Mileage and travel time, to and from the customer are not eligible for warranty credit.
-) Freight charges for warranty parts are not eligible for warranty credit.
-) Labour flat rates for component changes
 -) Electrical components – 0.5 hour
 -) Plumbing components – 1 hour
 -) Electric motor changes – 1 hour

Note: Other labour charges will be at the discretion of DRYAIR.

2. Safety Concerns

1. General Safety Concerns

-) Make certain that the operator reads and understands all the information in this manual.
-) All unauthorized people must be kept away from the equipment when in operation.
-) All guards must be in place when the equipment is in operation
-) Exercise caution when moving Heat Exchangers (See Appendix 7-1 Product Dimensions for full details).
-) Maintain instructional and safety decals. Replaced damaged decals as necessary (See safety decals below).



Figure 2-2: DECAL CAUTION NON-EXPLOSION PROOF

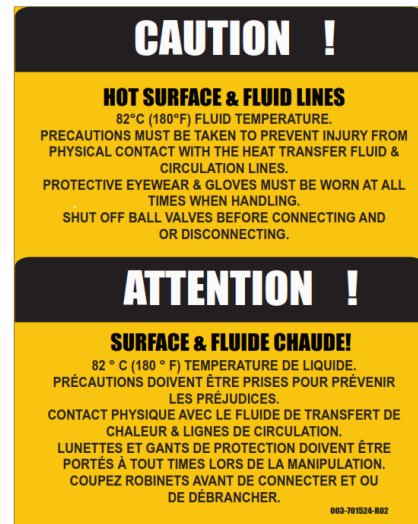


Figure 2-1: DECAL CAUTION GLYCOL SHUTOFF VALVE

2. Heating Appliance

Caution!!

-) The Portable Heat Exchangers are heating appliances.
-) When dealing with any heating appliance, observe all posted warnings and cautions.
-) Keep children and pets away from all piping and fuel accessories.

3. Heat transfer Fluid

-) For complete “heat transfer fluid” information, refer to the Material Safety Data Sheets for “Boss Chill PG” and “Dowfrost HTF” in **Appendix 7-3: Heat Transfer Fluid Information**.

3. Introduction & Installation

Portable heat exchangers are compact, mobile structures ideal for heating, drying and climate control applications. Hot fluid flows through the heat transfer coil, where heat is transferred to the air being drawn through the coil by the fan. The coil is specially designed for optimum heat transfer, without adding any moisture or fuel combustion by-products to the air.

****Note that these units are designed to connect to DRYAIR water heaters. Specifications, including BTU output, cannot be guaranteed using other water heaters.****

There are only electrical power, air tube (optional) and heat transfer fluid connections to make to a Portable Heat

Exchanger. Each unit can be placed into position by one person, and the connections made in only a few minutes. Figure 3-1 below shows the location of the connections to be made on a Model 200.

-) Each portable heat exchanger is shipped complete with fluid.
-) The fan motor on the Models 80 and 200 is thermostatically controlled and will cut in and out as necessary.
-) Temperature control:
 - o Model 80 and 200 – thermostat, power interrupt on the fan motor
 - o Model 600 – ball valve flow control to increase or decrease the transfer of heat

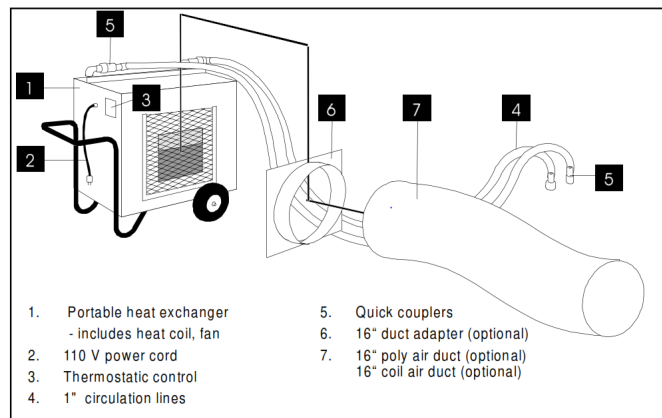


Figure 3-1: Portable Heat Exchanger - Model 200

1. Positioning

-) Portable heat exchangers must have a minimum clearance of 1 ½ feet on the air intake side.
-) Product dimensions for each Model (80, 200, 600) can be found in **Appendix 7-2: Product Dimensions**

2. Electrical Connections

-) Portable heat exchangers require a 110Volt, 15Amp power supply.
-) Each unit is factory is equipped with a two foot 110Volt appliance cable and plug.
-) A maximum of 100 ft-14AWG (200ft-12AWG) extension cord can be run to each portable heat exchanger.
-) Electrical schematics for each Model (80, 200, 600) can be found in **Appendix 7-1: Electrical Schematics**

3. Fluid Connections

-) Connect the portable heat exchangers to the ¾" (Model 80), 1" (model 200) and 1 ¼" (Model 600) circulation lines and then to the circulation manifold using quick couplers. Circulation lines of different sizes can be purchased to allow connections to other DRYAIR units.

4. Operation

Once the unit has been connected to both power and fluid lines, follow the operation guidelines below to adjust the temperature of the outlet air. Be sure to entirely read and understand this section before trying to start and run your new DRYAIR system!

1. Controls

1. Thermostatic Control – Model 80 & 200

-) The thermostatic control is adjusted with a screw driver.
-) Simply adjust to the desired temperature.
-) When the desired temperature is reached, the thermostatic control will shut off the fan, thus shutting down heat transfer from the coil.
-) Demand for heat will re-activate the fan.

2. Ball Valve Flow Adjustment – Model 600

-) The ball valve is used as a throttling control for the flow of heat transfer fluid through the heat exchanger. Changes can be made at the water heat for a more precise temperature adjustment (note that making changes at the water heater will affect all units attached to it).

5. Troubleshooting

1. Fan does not start

-) No power
 -) Check that power supply is connected.
 -) Check condition of the power connection cable (appliance cable).

2. Fans running but no heat

-) If fluid inlet is cold
 -) Check that all quick couplers are open and fluid is circulating. If valves are closed, open valves to initiate flow. If valves are open and there is circulation but the fluid is cold, the problem is at the water heater.
-) Fluid inlet is hot but the outlet is cold and still no heat
 -) Check portable heat exchanger coil for flow obstructions. If flow is obstructed, disconnect the module from the circulation system and flush.

3. Heat transfer fluid is leaking

-) Check all connections fittings and hoses. Tighten as required.
-) Shut down the fan and check the coil for leaks. Replace coil if leaks are found

6. Maintenance

DRYAIR products are designed to be low maintenance systems. All assemblies are assembled using extensively tested and certified components. Following these maintenance procedures will ensure the maximum benefit and least amount of downtime for the system.

The daily maintenance schedule is designed to be a quick system check and ensures a low risk of operating interruptions.

1. Daily Checklist

1. Check the air filter daily if applicable (not supplied by DRYAIR)

-) Replace if a paper filter is used
-) Wash if a foam washable filter is used.

2. Check the heat coil for cleanliness or clogging.

-) Clean as required.

*Note: do not use high pressure air or water to clean the coil as this will cause damage to the coil fins.

3. Check all fluid fittings and connections daily.

-) Tighten or replace as required.

2. Storage

1. Hardware

-) Exercise reasonable care when handling.
-) Portable heat exchangers should be sheltered when stored for extended periods of time.

2. Hose & Poly

-) To extend the life of the rubber and poly components of the system (hoses and air tubes), it is recommended that they be stored out of the sun when not in use.

3. Heat Transfer Fluid

-) See Material Safety Data Sheets in **Appendix 7-3 Heat Transfer Fluid Information** for full details.

7. Appendix

1. Electric Schematics

Below are the electrical schematics for the Model 80, 200 and 600 portable heat exchangers, respectively.

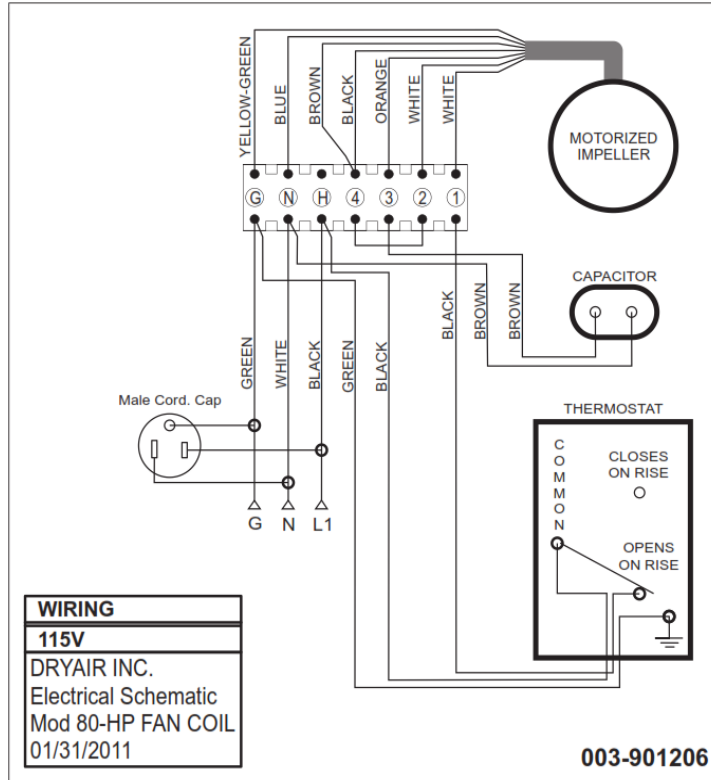


Figure 7-1: Model 80 Electrical Schematic

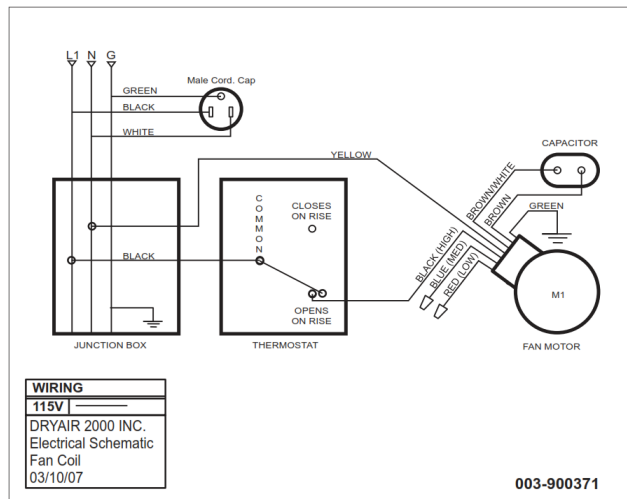


Figure 7-2: Model 200 Electrical Schematic

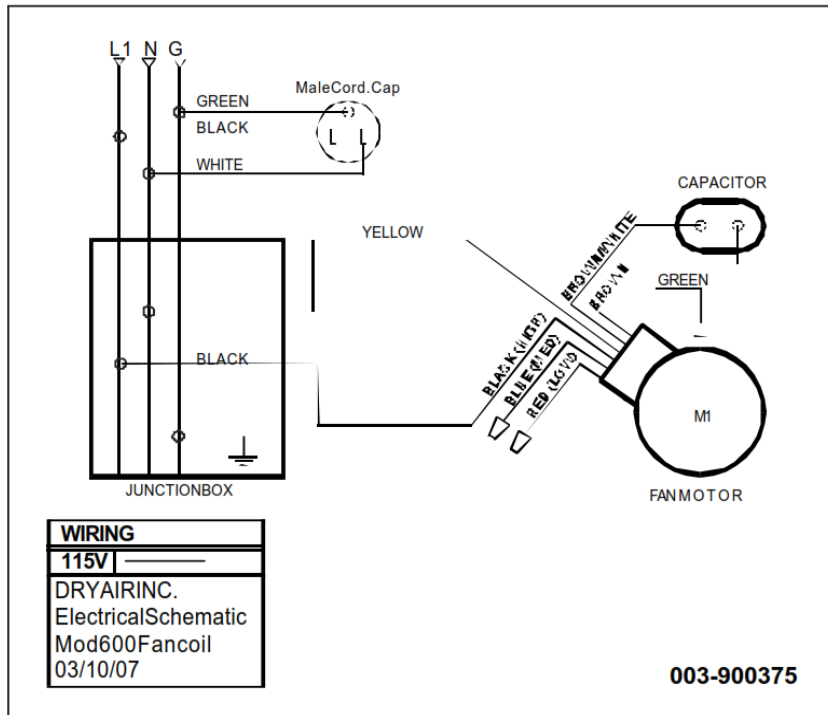


Figure 7-3: Model 600 Electrical Schematic

2. Product Dimensions

Below are the general product dimensions for Models 80, 200 and 600 portable heat exchangers.

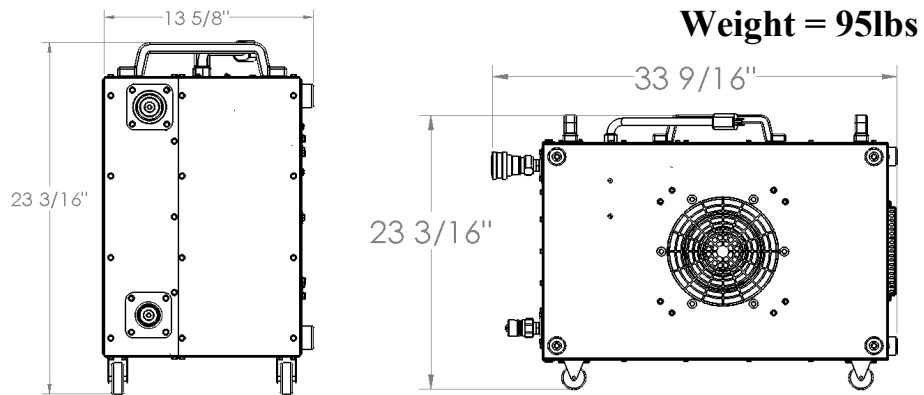


Figure 7-4: Model 80 Product Dimensions

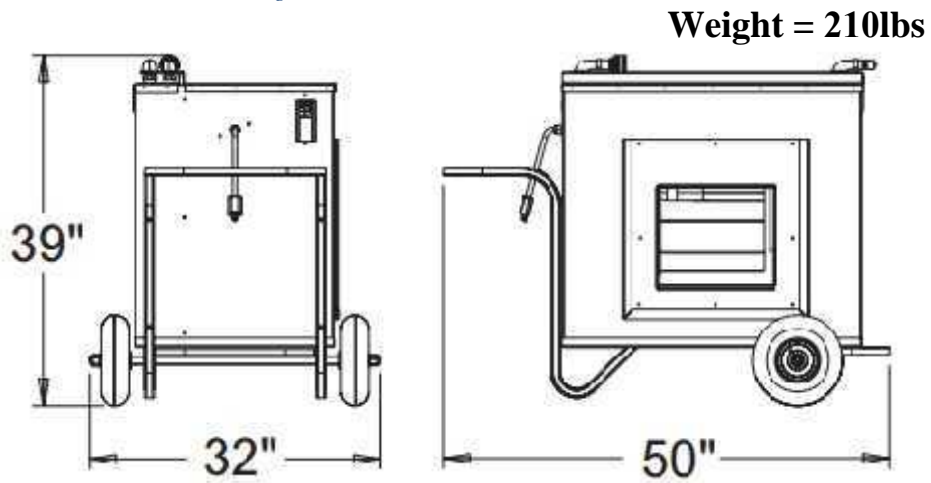


Figure 7-5: Model 200 Product Dimensions

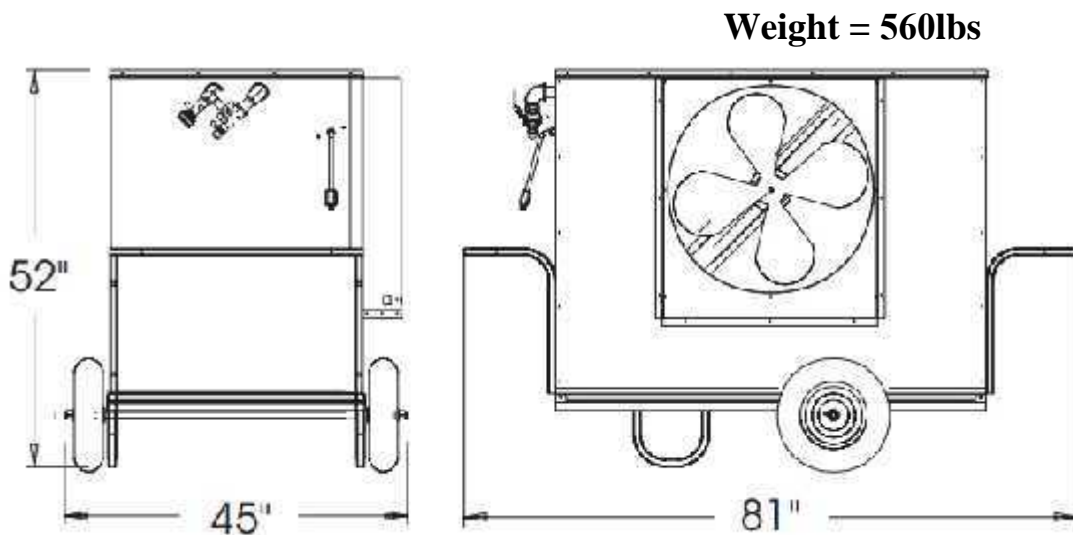


Figure 7-6: Model 600 Product Dimensions

3. Heat Transfer Fluid Information

1. Boss Lubricants



MATERIAL SAFETY DATA SHEET

SECTION 1: CHEMICAL PRODUCT AND COMPANY IDENTIFICATION

PRODUCT NAME: BOSS CHILL PROPYLENE GLYCOL
PROPYLENE-GLYCOL BASED
Heat Transfer Fluid Concentrate

Date Prepared: Sept 19, 2014

COMPANY IDENTIFICATION

Supplier: BOSS LUBRICANTS
112, 6303 – 30 STREET SE
Calgary, AB T2C 1R4

Telephone: 403-279-2223

Fax: 403-279-2272

Toll Free: 800-844-9457

National Fire Protection Association

1	Health
1	Flammability
0	Reactivity
	Special



Product Name: BOSS CHILL PROPYLENE GLYCOL

Product Description: Propylene Glycol based industrial coolant and/or heat transfer fluid

Chemical Name: Inhibited propylene glycol, aqueous solution

Chemical Family: Mixture

Formula: Mixture

Synonyms: Heat transfer fluid, coolant

DOT Identification: Not regulated

DOT Shipping No.: Not regulated

Manufacturer: BOSS LUBRICANTS

SECTION 2: TYPICAL COMPOSITION

<u>Material</u>	<u>CAS No</u>	<u>%Wt</u>
-----------------	---------------	------------



Propylene Glycol	000057-55-6	96%
Proprietary inhibitors	Not applicable	4%
Deionized Water	007732-18-5	Balance

This document is prepared pursuant to the OSHA Hazard Communication Standard (29 CFR 1910.122). In addition, other substances not "Hazardous" per this OSHA Standard may be listed. Where proprietary ingredients shows, the identity may be made available as provided in this standard.

**BOSS CHILL PROPYLENE GLYCOL
BOSS LUBRICANTS: MATERIAL SAFETY DATA SHEET**

SECTION 3: HAZARDOUS IDENTIFICATION

Health: 2
Flammability: 0
Reactivity: 0
Special: 0
 0 = minimal 1 = slight 2 = moderate 3 = serious 4 = severe

HMIS
H # 2
F # 0
R # 0
PPE†
†Sec.8

ROUTE(S) of Entry

Inhalation A single prolonged (hours) inhalation exposure is not likely to cause adverse effects. Mists in high concentrations may cause irritation of nose and throat, cause headache, nausea or drowsiness. Prolonged or repeated exposure may result in the absorption of potentially harmful amounts of material.

Skin: A single prolonged exposure is not likely to result in the material being absorbed through skin in harmful amounts. Repeated exposure may cause slight flaking, tenderness and softening of skin.

Ingestion: Single dose oral toxicity is low. If more than several mouthfuls are swallowed, abdominal discomfort, nausea or diarrhea may occur

Eyes: May cause minor irritation of eyes in some individuals. Corneal injury is unlikely.

Target Organs: None known

Effect of overexposure: Repeated excessive ingestion may cause central nervous system effects. No carcinogenic effects have been seen in long-term animal studies. Birth defects are unlikely. Exposure having no adverse effects on the mother should have no effect



on the fetus. In animal studies, it has been shown not to interfere with reproduction. Results of mutagenicity tests in-vitro (test tube) and in animals have been negative.

Signs and Symptoms of Exposure:

Redness and/or stinging sensation in eyes or on skin. Minor eye or skin irritation may occur with some people.

Medical conditions Generally Aggravated by

Long-Term Exposure:

Chronic Effects: None known.

Carcinogenicity

NTP: None known

IARC Monographs: None known

OSHA regulations: None known

ACGIH None known

SECTION 4: FIRST AID MEASURES

Emergency and First Aid Procedures

Eye Contact: Flush eyes with large amounts of water for 15 minutes. If irritation persists, get medical attention.

Skin Contact: Wash off in flowing water or shower. Wash contaminated clothing before reuse.

Ingestion: DO NOT induce vomiting immediately and GET IMMEDIATE MEDICAL ATTENTION.

Never give anything by mouth to an unconscious person.

Inhalation: Remove to fresh air. If breathing has stopped, start artificial respiration. Seek medical attention.

Note to Physicians: Treat symptomatically. No specific antidote. Supportive care. Treatment based on judgment of physician in response to reactions of the patient.

Special Precautions/

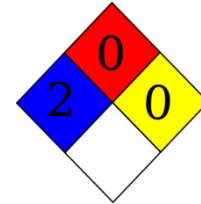
Procedure. None known

SECTION 5: FIRE-FIGHTING MEASURES

NFPA

Flash Point: None

Flash Point Method: Not applicable



Autoignition

Burning Rate: Not available
Temperature: Not available
Flammable limits in air (% by Volume)
LEL: Not available
UEL: Not available

Extinguishing Media: Water for, fog, foam, CO2, dry chemical. Alcohol resistant foams (ATC type) are best when available. Do not use direct water stream as it may spread the fire.

Unusual Fire or Explosion Closed containers may rupture or explode due to steam pressure build-up when exposed to extreme heat.

Hazards: Water may be used to cool closed containers. Do not use a direct water stream on fire. Container may rupture from gas generation in a fire situation.

Fire-Fighting Instructions: Do not release runoff from fire control methods to sewers or waterways.

Fire Fighting Equipment: Full protective equipment including positive-pressure, self-contained breathing apparatus. During emergency conditions, overexposure to decomposition products may cause a health hazard. Symptoms may not be immediately apparent. Seek medical attention.

Unusual Fire Fighting Keep people out of the area and isolate fire. Burning liquids may be moved by flushing with water.

Procedures: Do not use a direct water stream as it may spread fire.

SECTION 6: ACCIDENTAL RELEASE MEASURES

Spill/Leak Procedures: Recover useable material by convenient method; residual may be removed by wipe or wet mop.

Small Spills Small spills should be absorbed with a suitable inert material (sand, earth, clay, etc.) Remove the absorbed material and place in an appropriate chemical waste container for disposal.

Large Spills: Large spills should be diked and pumped.

Containment: For large spills, dike far ahead of liquid spill for later disposal.

Regulatory Requirements: Follow applicable OSHA REGULATIONS (29 CFR 1910.120).



SECTION 7: HANDLING AND STORAGE

- Handling Procedures:** Wear impermeable gloves and other protective clothing to avoid prolonged or repeated skin contact. When handling, wear eye protection.
- Storage Requirements:** Keep containers tightly closed when not in use. Store only in containers resistant to alkaline solutions with a pH of 9.0-12.0.

SECTION 8: EXPOSURE CONTROLS/PERSONAL PROTECTION

- Exposure Guidelines:** Propylene Glycol: AIHA WEEL is 50 ppm total, 10mg/m³ aerosol only. 10mg.m³ for Propylene Glycol mist, 400ppm for Propylene Glycol vapors.
- Ventilation:** Provide general or local exhaust ventilation systems.
- Administrative Controls**
- Respiratory Protection:** If personal exposure cannot be controlled below applicable exposure limits by ventilation, wear respiratory devices approved by NIOSH/MSHA, for protection against organic vapors, dust, fumes and mists.
- Protective Clothing/ Equipment:** Wear chemically protective gloves, boots, aprons, and gauntlets to prevent prolonged or repeated skin contact. Wear protective eyeglasses or chemical safety goggles.
- Work and Hygienic Practices:** Wash or rinse hands before touching eyes or contact lenses, and before eating.
- Safety Stations:** Make emergency eyewash stations, safety/quick-drench showers, and washing facilities available in work area.

SECTION 9: PHYSICAL AND CHEMICAL PROPERTIES

- Appearance and odor:** dyed purple odor less
- Boiling point (760 mmHg):** 317°F 188°C
- Specific Gravity (water=1)** 1.040 - 1.060
- Solubility in Water (%by wt):** Complete
- pH:** 9.0 - 10.5
- Vapor Density) air=1):** <1.0
- Vapor Pressure:** 2.2mmHg

SECTION 10: STABILITY AND REACTIVITY

- Stability:** Stable
- Polymerization:** Hazardous polymerization cannot occur
- Chemical Incompatibilities:** Oxidizing materials, strong acids
- Conditions to avoid:** Avoid contact with strong acids and strong oxidizers



Hazardous decomposition Products: Depends upon temperature, air supply and the presence of other materials

SECTION 11: TOXICOLOGICAL INFORMATION

Eye Effects: Irritating to eyes.
Skin Effects: The LD50 for skin absorption in rabbits is >10,000 mg/kg.
Acute Inhalation Effects: Significant vapors are only generated at elevated temperatures; may irritate nose and respiratory system.
Acute Oral Effects: The oral LD50 for rats is 20,000-34,000 mg/kg.
Chronic Effects: Liver and kidney damage in a 2 year rat feeding study using 1-2% Propylene Glycol
Oral administration of very high doses of Propylene Glycol produced birth defects in laboratory animals.
Carcinogenicity: None known
Mutagenicity: Not mutagenic
Teratogenicity: Not Teratogenic

SECTION 12: ECOLOGICAL INFORMATION

Ecotoxicity: Base primarily on data for the major components, product is practically non-toxic to aquatic organisms.
Irritation Index/Estimation of Irritation (Species): Not determined.
Environmental Fate: Decomposes to carbon, oxygen, nitrogen and water.
Environmental Degradation: Biodegradable
Soil Absorption/Mobility: Not determined

SECTION 13: DISPOSAL CONSIDERATIONS

Waste disposal method; Sanitary landfill or incinerate in approved facilities in accordance with local, state and federal regulations. Do not dump into any sewers, on the ground or into any body of water.
Disposal Regulatory This product, if unused, does not meet the RCRA criteria for being identified as a hazardous waste by characteristics.
Requirements:
Container Cleaning and Disposal: Containers should be cleaned or residual product before disposal, and disposed of in accordance with all applicable laws and regulations.

SECTION 14: TRANSPORT INFORMATION

DOT Shipping Name: Not regulated
Shipping Symbols: Not applicable
Hazard Class: Not applicable **DOT**
Identification No.: Not regulated



Packing Group: Not applicable
Label: Not applicable
Special Provisions (172.102): Not applicable

Packaging Authorizations

a) **Exceptions:** Not applicable
b) **Non-bulk Packaging:** Not applicable
c) **Bulk Packaging:** Not applicable

Quantity Limitations

a) **Passenger, Aircraft, or Railcar:** Not applicable
b) **Cargo Aircraft Only:** Not applicable

Vessel Stowage Requirements

a) **Vessel Stowage:** Not applicable
b) **Other:** Not applicable

SECTION 15: REGULATORY INFORMATION

Regulatory Information: **Notice:** The information herein is presented in good faith and believed to be as accurate as the effective date shown above. However, no warranty, expressed or implied, is given. Regulatory requirements are subject to change and may differ from one location to another. It is the buyer's responsibility to ensure that its activities comply with federal, state or provincial and local laws. The following specific information is made for the purpose of complying with numerous federal, state or provincial, and local laws and regulations

(Not meant to be all-inclusive -selected regulations represented.)

EPA Regulations

RCRA Hazardous Waste Number and RCRA
Hazardous Waste Classification: Not applicable
CERCLA Hazardous Substance and CERCLA Reportable Quantity: Not applicable

SARA313: To the best of our knowledge this product contains no chemical subject to SARA TITLE 111 Section 313 supplier notification requirements

SARA Hazard Category: This product has been reviewed according to the EPA "Hazard Categories promulgated under Section 311 and 312 of the Superfund Amendment and



Re-Authorization Act of 1986 (SARA Title III) and is considered, under applicable definitions not to have met any hazard category.

OSHA regulations:

This product is not a "Hazardous Chemical" as defined by the OSHA Hazard Communication Standard, 29 CFR 1910.1200

WHMIS:

(The Canadian Workplace Materials Information System)

Not a "Controlled Product" under WHMIS

Subdivision B (A toxic material causing other chronic effects) Hazardous

SECTION 16 OTHER INFORMATION

Additional Hazard Rating Systems: None

Disclaimer: THE INFORMATION GIVEN HEREIN IS GIVEN IN GOOD FAITH AND FROM SOURCES WE BELIEVE RELIABLE. BUT NO WARRANTY, EXPRESS OR IMPLIED, REGARDING ITS CORRECTNESS IS MADE.

The conditions or methods of handling, storage, use and disposal of this product are beyond our control and may be beyond our knowledge. For this and other reasons, we do not assume responsibility and expressly disclaim liability for loss, damage or expense arising out of or in any way connected with the handling, storage, use or disposal of this product.

This MSDS was prepared and is to be used only for this product. If the product is used as a component in another product, this MSDS information may not apply.

CONSULT COMPANY LISTED IN SECTION 1 FOR FURTHER INFORMATION.

2. DOW



Material Safety Data Sheet

DOW CHEMICAL CANADA ULC

Product name: DOWFROST™ Heat Transfer Fluid

Issue Date: 01/23/2015

Print Date: 06/29/2015

DOW CHEMICAL CANADA ULC encourages and expects you to read and understand the entire (M)SDS, as there is important information throughout the document. We expect you to follow the precautions identified in this document unless your use conditions would necessitate other appropriate methods or actions.

1. PRODUCT AND COMPANY IDENTIFICATION

Product name: DOWFROST™ Heat Transfer Fluid

Recommended use of the chemical and restrictions on use

Identified uses: Intended as a heat transfer fluid for closed-loop systems. This product is acceptable for use where there is possibility of incidental food contact and as a product for use in the immersion or spray freezing of wrapped meat and packaged poultry products. We recommend that you use this product in a manner consistent with the listed use. If your intended use is not consistent with the stated use, please contact your sales or technical service representative.

COMPANY IDENTIFICATION

DOW CHEMICAL CANADA ULC
SUITE 2100
450 - 1ST STREET S.W.
CALGARY AB T2P 5H1
CANADA

For MSDS Updates and Product Information: 800-258-2436

Prepared by: Prepared for use in Canada by EH&S, Hazard Communications.

Revision Date: 01/23/2015

Print Date: 06/29/2015

Customer Information Number:

800-258-2436

SDSQuestion@dow.com

EMERGENCY TELEPHONE NUMBER

24-Hour Emergency Contact: 989-636-4400

Local Emergency Contact: 613-996-6666

2. HAZARDS IDENTIFICATION

Emergency Overview

Appearance

Physical state Liquid.

Color Colorless

Odor Characteristic

Hazard Summary

No significant immediate hazards for emergency response are known.

Potential Health Effects

Eyes: May cause slight temporary eye irritation.
Corneal injury is unlikely.

Skin: Prolonged contact is essentially nonirritating to skin.
Repeated contact may cause flaking and softening of skin.
Prolonged skin contact is unlikely to result in absorption of harmful amounts.

Inhalation: At room temperature, exposure to vapor is minimal due to low volatility.
Mist may cause irritation of upper respiratory tract (nose and throat).

Ingestion: Very low toxicity if swallowed.
Harmful effects not anticipated from swallowing small amounts.

Chronic Exposure: In rare cases, repeated excessive exposure to propylene glycol may cause central nervous system effects.

3. COMPOSITION/INFORMATION ON INGREDIENTS

Chemical nature: Glycol
This product is a mixture.

Component	CASRN	Weight percent
Propylene glycol	57-55-6	> 95.0 %
Dipotassium hydrogen phosphate	7758-11-4	< 3.0 %
Water	7732-18-5	< 3.0 %

4. FIRST AID MEASURES

Description of first aid measures

General advice: If potential for exposure exists refer to Section 8 for specific personal protective equipment.

Inhalation: Move person to fresh air; if effects occur, consult a physician.

Skin contact: Wash off with plenty of water.

Eye contact: Flush eyes thoroughly with water for several minutes. Remove contact lenses after the initial 1-2 minutes and continue flushing for several additional minutes. If effects occur, consult a physician, preferably an ophthalmologist.

Ingestion: No emergency medical treatment necessary.

Most important symptoms and effects, both acute and delayed: Aside from the information found under Description of first aid measures (above) and Indication of immediate medical attention and special treatment needed (below), any additional important symptoms and effects are described in Section 11: Toxicology Information.

Indication of any immediate medical attention and special treatment needed

Notes to physician: No specific antidote. Treatment of exposure should be directed at the control of symptoms and the clinical condition of the patient.

5. FIREFIGHTING MEASURES

Suitable extinguishing media: Water fog or fine spray. Dry chemical fire extinguishers. Carbon dioxide fire extinguishers. Foam. Alcohol resistant foams (ATC type) are preferred. General purpose synthetic foams (including AFFF) or protein foams may function, but will be less effective.

Unsuitable extinguishing media: Do not use direct water stream. May spread fire.

Special hazards arising from the substance or mixture

Hazardous combustion products: During a fire, smoke may contain the original material in addition to combustion products of varying composition which may be toxic and/or irritating. Combustion products may include and are not limited to: Carbon monoxide. Carbon dioxide.

Unusual Fire and Explosion Hazards: Container may rupture from gas generation in a fire situation. Violent steam generation or eruption may occur upon application of direct water stream to hot liquids.

Advice for firefighters

Fire Fighting Procedures: Keep people away. Isolate fire and deny unnecessary entry. Use water spray to cool fire exposed containers and fire affected zone until fire is out and danger of reignition has passed. Fight fire from protected location or safe distance. Consider the use of unmanned hose holders or monitor nozzles. Immediately withdraw all personnel from the area in case of rising sound from venting safety device or discoloration of the container. Burning liquids may be extinguished by dilution with water. Do not use direct water stream. May spread fire. Move container from fire area if this is possible without hazard. Burning liquids may be moved by flushing with water to protect personnel and minimize property damage.

Special protective equipment for firefighters: Wear positive-pressure self-contained breathing apparatus (SCBA) and protective fire fighting clothing (includes fire fighting helmet, coat, trousers, boots, and gloves). If protective equipment is not available or not used, fight fire from a protected location or safe distance.

6. ACCIDENTAL RELEASE MEASURES

Personal precautions, protective equipment and emergency procedures: Use appropriate safety equipment. For additional information, refer to Section 8, Exposure Controls and Personal Protection.

Environmental precautions: Prevent from entering into soil, ditches, sewers, waterways and/or groundwater. See Section 12, Ecological Information.

Methods and materials for containment and cleaning up: Small spills: Absorb with materials such as: Cat litter. Sawdust. Vermiculite. Zorb-all®. Collect in suitable and properly labeled containers. Large spills: Dike area to contain spill. Recover spilled material if possible. See Section 13, Disposal Considerations, for additional information.

7. HANDLING AND STORAGE

Precautions for safe handling: No special precautions required. Keep container closed. See Section 8, EXPOSURE CONTROLS AND PERSONAL PROTECTION.

Spills of these organic materials on hot fibrous insulations may lead to lowering of the autoignition temperatures possibly resulting in spontaneous combustion.

Conditions for safe storage: Do not store in: Galvanized steel. Opened or unlabeled containers. Store in original unopened container. See Section 10 for more specific information. Additional storage and handling information on this product may be obtained by calling your sales or customer service contact.

8. EXPOSURE CONTROLS/PERSONAL PROTECTION

Control parameters

Exposure limits are listed below, if they exist.

Component	Regulation	Type of listing	Value/Notation
Propylene glycol	US WEEL	TWA	10 mg/m ³
	CA ON OEL	TWAEV Total	155 mg/m ³ 50 ppm
	CA ON OEL	TWAEV	10 mg/m ³
	CA ON OEL	TWA	155 mg/m ³ 50 ppm
	CA ON OEL	TWA	10 mg/m ³

Consult local authorities for recommended exposure limits.

Exposure controls

Engineering controls: Use local exhaust ventilation, or other engineering controls to maintain airborne levels below exposure limit requirements or guidelines. If there are no applicable exposure limit requirements or guidelines, general ventilation should be sufficient for most operations. Local exhaust ventilation may be necessary for some operations.

Individual protection measures

Eye/face protection: Use safety glasses (with side shields).

Skin protection

Hand protection: Use gloves chemically resistant to this material when prolonged or frequently repeated contact could occur. Examples of preferred glove barrier materials include: Butyl rubber. Natural rubber ("latex"). Neoprene. Nitrile/butadiene rubber ("nitrile" or "NBR"). Polyethylene. Ethyl vinyl alcohol laminate ("EVAL"). Polyvinyl alcohol ("PVA"). Polyvinyl chloride ("PVC" or "vinyl"). NOTICE: The selection of a specific glove for a particular application and duration of use in a workplace should also take into account all relevant workplace factors such as, but not limited to: Other chemicals which may be handled, physical requirements (cut/puncture protection, dexterity, thermal protection), potential body reactions to glove materials, as well as the instructions/specifications provided by the glove supplier.

Other protection: Wear clean, body-covering clothing.

Respiratory protection: Respiratory protection should be worn when there is a potential to exceed the exposure limit requirements or guidelines. If there are no applicable exposure limit requirements or guidelines, wear respiratory protection when adverse effects, such as respiratory irritation or discomfort have been experienced, or where indicated by your risk assessment process. In misty atmospheres, use an approved particulate respirator. The following should be effective types of air-purifying respirators: Organic vapor cartridge with a particulate pre-filter.

9. PHYSICAL AND CHEMICAL PROPERTIES

Appearance

Physical state	Liquid.
Color	Colorless
Odor	Characteristic
Odor Threshold	No test data available
pH	10.0 50% <i>Literature</i>
Melting point/range	Not applicable to liquids
Freezing point	supercools
Boiling point (760 mmHg)	152 °C <i>Literature</i>
Flash point	closed cup 104 °C <i>Pensky-Martens Closed Cup ASTM D 93</i> (based on major component), Propylene glycol. open cup <i>Cleveland Open Cup ASTM D92</i> None
Evaporation Rate (Butyl Acetate = 1)	<0.5 <i>Estimated.</i>
Flammability (solid, gas)	Not applicable to liquids
Lower explosion limit	2.6 % vol <i>Literature</i> Propylene glycol.
Upper explosion limit	12.5 % vol <i>Literature</i> Propylene glycol.
Vapor Pressure	2.2 mmHg <i>Literature</i>
Relative Vapor Density (air = 1)	>1.0 <i>Literature</i>
Relative Density (water = 1)	1.05 at 20 °C / 20 °C <i>Literature</i>
Water solubility	100 % <i>Literature</i>
Partition coefficient: n-octanol/water	no data available
Auto-ignition temperature	371 °C <i>Literature</i> Propylene glycol.
Decomposition temperature	No test data available
Kinematic Viscosity	43.4 cSt at 20 °C <i>Literature</i>
Explosive properties	no data available
Oxidizing properties	no data available
Molecular weight	76.9 g/mol <i>Literature</i>

NOTE: The physical data presented above are typical values and should not be construed as a specification.

10. STABILITY AND REACTIVITY

Reactivity: no data available

Chemical stability: Stable under recommended storage conditions. See Storage, Section 7.
Hygroscopic

Possibility of hazardous reactions: Polymerization will not occur.

Conditions to avoid: Exposure to elevated temperatures can cause product to decompose. Generation of gas during decomposition can cause pressure in closed systems. Avoid direct sunlight or ultraviolet sources.

Incompatible materials: Avoid contact with: Strong acids. Strong bases. Strong oxidizers.

Hazardous decomposition products: Decomposition products depend upon temperature, air supply and the presence of other materials. Decomposition products can include and are not limited to: Aldehydes. Alcohols. Ethers. Organic acids.

11. TOXICOLOGICAL INFORMATION

Toxicological information on this product or its components appear in this section when such data is available.

Acute toxicity

Acute oral toxicity

Very low toxicity if swallowed. Harmful effects not anticipated from swallowing small amounts.

For the major component(s): Propylene glycol.
LD50, Rat, > 20,000 mg/kg

Acute dermal toxicity

Prolonged skin contact is unlikely to result in absorption of harmful amounts.

For the major component(s): Propylene glycol.
LD50, Rabbit, > 20,000 mg/kg

Acute inhalation toxicity

At room temperature, exposure to vapor is minimal due to low volatility. Mist may cause irritation of upper respiratory tract (nose and throat).

For the major component(s):
LC50, Rat, 4 Hour, vapour, 6.15 mg/l No deaths occurred following exposure to a saturated atmosphere.

Skin corrosion/irritation

Prolonged contact is essentially nonirritating to skin.
Repeated contact may cause flaking and softening of skin.

Serious eye damage/eye irritation

May cause slight temporary eye irritation.
Corneal injury is unlikely.

Sensitization

For the major component(s):
Did not cause allergic skin reactions when tested in humans.

For respiratory sensitization:
No relevant data found.

Specific Target Organ Systemic Toxicity (Single Exposure)

Evaluation of available data suggests that this material is not an STOT-SE toxicant.

Specific Target Organ Systemic Toxicity (Repeated Exposure)

In rare cases, repeated excessive exposure to propylene glycol may cause central nervous system effects.

Carcinogenicity

Similar formulations did not cause cancer in laboratory animals.

Teratogenicity

For the major component(s): Did not cause birth defects or any other fetal effects in laboratory animals.

Reproductive toxicity

For the major component(s): In animal studies, did not interfere with reproduction. In animal studies, did not interfere with fertility.

Mutagenicity

In vitro genetic toxicity studies were negative. For the major component(s): Animal genetic toxicity studies were negative.

Aspiration Hazard

Based on physical properties, not likely to be an aspiration hazard.

12. ECOLOGICAL INFORMATION

Ecotoxicological information on this product or its components appear in this section when such data is available.

Toxicity

Propylene glycol

Acute toxicity to fish

Material is practically non-toxic to aquatic organisms on an acute basis (LC50/EC50/EL50/LL50 >100 mg/L in the most sensitive species tested).
LC50, *Oncorhynchus mykiss* (rainbow trout), static test, 96 Hour, 40,613 mg/l, OECD Test Guideline 203

Acute toxicity to aquatic invertebrates

LC50, Ceriodaphnia dubia (water flea), static test, 48 Hour, 18,340 mg/l, OECD Test Guideline 202

Acute toxicity to algae/aquatic plants

ErC50, Pseudokirchneriella subcapitata (green algae), 96 Hour, Growth rate inhibition, 19,000 mg/l, OECD Test Guideline 201

Toxicity to bacteria

NOEC, Pseudomonas putida, 18 Hour, > 20,000 mg/l

Chronic toxicity to aquatic invertebrates

NOEC, Ceriodaphnia dubia (water flea), semi-static test, 7 d, number of offspring, 13,020 mg/l

Dipotassium hydrogen phosphate

Acute toxicity to fish

Material is practically non-toxic to aquatic organisms on an acute basis (LC50/EC50/EL50/LL50 >100 mg/L in the most sensitive species tested).

LC50, Leuciscus idus (Golden orfe), static test, 48 Hour, > 900 mg/l, Method Not Specified.

Persistence and degradability

Propylene glycol

Biodegradability: Material is readily biodegradable. Passes OECD test(s) for ready biodegradability. Biodegradation may occur under anaerobic conditions (in the absence of oxygen).

10-day Window: Pass

Biodegradation: 81 %

Exposure time: 28 d

Method: OECD Test Guideline 301F or Equivalent

10-day Window: Not applicable

Biodegradation: 96 %

Exposure time: 64 d

Method: OECD Test Guideline 306 or Equivalent

Theoretical Oxygen Demand: 1.68 mg/mg

Chemical Oxygen Demand: 1.53 mg/mg

Biological oxygen demand (BOD)

Incubation Time	BOD
5 d	69.000 %
10 d	70.000 %
20 d	86.000 %

Photodegradation

Atmospheric half-life: 10 Hour

Method: Estimated.

Dipotassium hydrogen phosphate

Biodegradability: Biodegradation is not applicable.

Bioaccumulative potential

Propylene glycol

Bioaccumulation: Bioconcentration potential is low (BCF < 100 or Log Pow < 3).

Partition coefficient: n-octanol/water(log Pow): -1.07 Measured

Bioconcentration factor (BCF): 0.09 Estimated.

Dipotassium hydrogen phosphate

Bioaccumulation: No bioconcentration is expected because of the relatively high water solubility.

Mobility in soil

Propylene glycol

Given its very low Henry's constant, volatilization from natural bodies of water or moist soil is not expected to be an important fate process.

Potential for mobility in soil is very high (Koc between 0 and 50).

Partition coefficient(Koc): < 1 Estimated.

Dipotassium hydrogen phosphate

No relevant data found.

13. DISPOSAL CONSIDERATIONS

Disposal methods: DO NOT DUMP INTO ANY SEWERS, ON THE GROUND, OR INTO ANY BODY OF WATER. All disposal practices must be in compliance with all Federal, State/Provincial and local laws and regulations. Regulations may vary in different locations. Waste characterizations and compliance with applicable laws are the responsibility solely of the waste generator. AS YOUR SUPPLIER, WE HAVE NO CONTROL OVER THE MANAGEMENT PRACTICES OR MANUFACTURING PROCESSES OF PARTIES HANDLING OR USING THIS MATERIAL. THE INFORMATION PRESENTED HERE PERTAINS ONLY TO THE PRODUCT AS SHIPPED IN ITS INTENDED CONDITION AS DESCRIBED IN MSDS SECTION: Composition Information. FOR UNUSED & UNCONTAMINATED PRODUCT, the preferred options include sending to a licensed, permitted: Recycler. Reclaimer. Incinerator or other thermal destruction device.

14. TRANSPORT INFORMATION

TDG

Not regulated for transport

Classification for SEA transport (IMO-IMDG):

**Transport in bulk
according to Annex I or II
of MARPOL 73/78 and the
IBC or IGC Code**

Not regulated for transport
Consult IMO regulations before transporting ocean bulk

Classification for AIR transport (IATA/ICAO):

Not regulated for transport

This information is not intended to convey all specific regulatory or operational requirements/information relating to this product. Transportation classifications may vary by container volume and may be influenced by regional or country variations in regulations. Additional transportation system information can be obtained through an authorized sales or customer service representative. It is the responsibility of the transporting organization to follow all applicable laws, regulations and rules relating to the transportation of the material.

15. REGULATORY INFORMATION

Hazardous Products Act Information: CPR Compliance

This product has been classified in accordance with the hazard criteria of the Canadian Controlled Products Regulations (CPR) and the MSDS contains all the information required by the CPR.

Hazardous Products Act Information: WHMIS Classification

This product is not a "Controlled Product" under WHMIS.

Canadian Domestic Substances List (DSL) (DSL)

All substances contained in this product are listed on the Canadian Domestic Substances List (DSL) or are not required to be listed.

16. OTHER INFORMATION

Hazard Rating System

NFPA

Health	Fire	Reactivity
0	1	0

Revision

Identification Number: 101234106 / A208 / Issue Date: 01/23/2015 / Version: 6.0

Most recent revision(s) are noted by the bold, double bars in left-hand margin throughout this document.

Legend

CA ON OEL	Canada. Ontario OELs
TWA	8-hr TWA
TWAEV	time-weighted average exposure value
US WEEL	USA. Workplace Environmental Exposure Levels (WEEL)

Information Source and References

This SDS is prepared by Product Regulatory Services and Hazard Communications Groups from information supplied by internal references within our company.

DOW CHEMICAL CANADA ULC urges each customer or recipient of this (M)SDS to study it carefully and consult appropriate expertise, as necessary or appropriate, to become aware of and understand

the data contained in this (M)SDS and any hazards associated with the product. The information herein is provided in good faith and believed to be accurate as of the effective date shown above. However, no warranty, express or implied, is given. Regulatory requirements are subject to change and may differ between various locations. It is the buyer's/user's responsibility to ensure that his activities comply with all federal, state, provincial or local laws. The information presented here pertains only to the product as shipped. Since conditions for use of the product are not under the control of the manufacturer, it is the buyer's/user's duty to determine the conditions necessary for the safe use of this product. Due to the proliferation of sources for information such as manufacturer-specific (M)SDSs, we are not and cannot be responsible for (M)SDSs obtained from any source other than ourselves. If you have obtained an (M)SDS from another source or if you are not sure that the (M)SDS you have is current, please contact us for the most current version.

