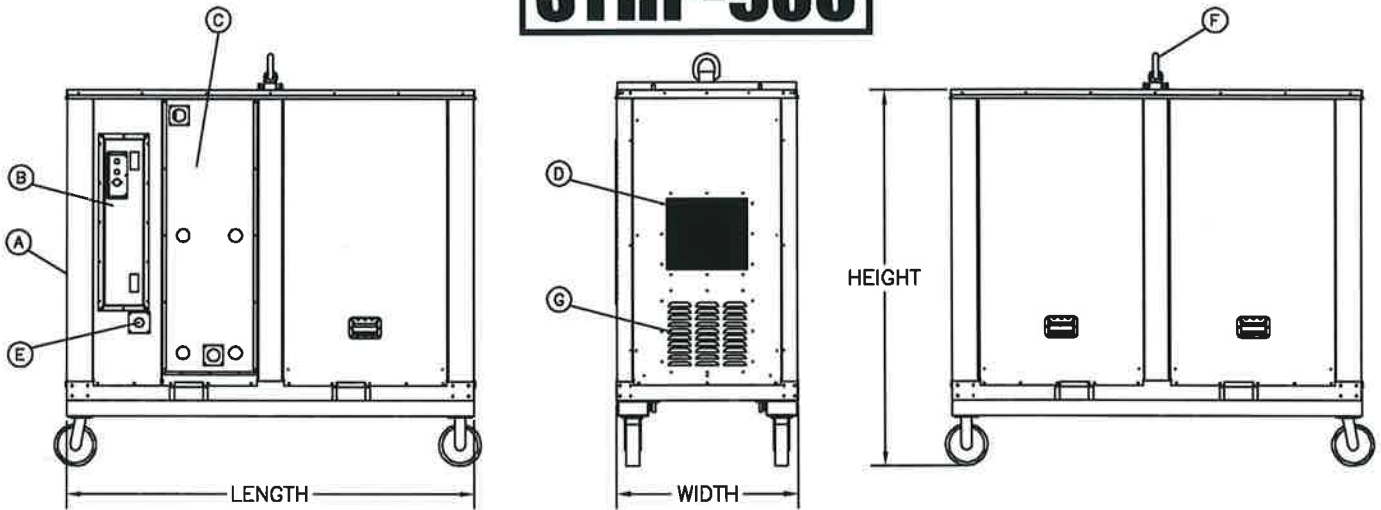


HEATING SOLUTIONS

Fueled by **Stephens n's**
RENTAL SERVICES

STHP-900



UNIT SPECIFICATIONS:

POWER SUPPLY: 230V/1PH/60HZ/17 MCA
208V-230V/3PH/60HZ/10 MCA
460V/3PH/60HZ/5 MCA

AIR DELIVERY: 4,200 CFM @ 1" W.C. ESP
5,000 CFM @ 0" W.C. ESP

BTU STEAM: 900,000 @ 0 F°

STEAM INLET PRESSURE RANGE: 15-150 PSIG

MAX STEAM TEMP: 366° F

CONNECTIONS: 2-1/2" NPT

- Ⓐ INTAKE
- Ⓑ ELECTRICAL BOX
- Ⓒ COIL ACCESS
- Ⓓ SUPPLY AIR
- Ⓔ POWER INLET
- Ⓕ LIFTING EYE
- Ⓖ MOTOR ACCESS

DIMENSIONS:

LENGTH: 78"
WIDTH: 35"
HEIGHT: 72"
WEIGHT: 1241 lb

DRAWN: JH	UPDATED: JH
DATE: 03/14/17	DATE: 06/06/17

STHP-900 Capacity

