

USER'S MANUAL FOR

PATRON E9

ELECTRIC FAN HEATER

(12/00)

IMPORTANT

**READ AND UNDERSTAND THIS MANUAL
BEFORE ASSEMBLING, STARTING OR
SERVICING THE HEATER.**

**IMPROPER USE OF HEATER CAN CAUSE
SERIOUS INJURY.**

KEEP THIS MANUAL FOR FUTURE REFERENCE.

FOR PROFESSIONAL USE ONLY

READ ALL INSTRUCTIONS BEFORE USING THIS HEATER

1. This heater is hot when in use. To avoid burns, do not let bare skin touch hot surfaces. Use handle when moving this heater. Keep combustible materials at least 6 feet (2 meter) from the front of the heater and keep them away from sides and rear
2. Extreme caution is necessary when the heater is used near children or invalids and whenever the heater is left unattended
3. Always unplug the heater when not in use
4. Do not operate any heater with a damaged cord or plug or after the heater malfunctions, has been dropped or damaged in any manner. Return heater to authorized service facility for examination, electrical or mechanical adjustment or repair
5. Do not expose to rain, water spray or dripping water
6. This heater is not intended for use in bathrooms, laundry areas and similar indoor locations. Never locate the heater where it may fall into a bathtub or other liquid container
7. Do not run cord under carpeting. Do not cover cord with throw rugs, runners, or the like. Arrange cord away from traffic area and where it will not be tripped over
8. To disconnect heater, turn controls to off, then remove plug from outlet
9. Connect to properly grounded outlets only
10. Do not insert or allow foreign objects to enter any ventilation or exhaust opening as this may cause an electric shock or fire, or damage the heater
11. To prevent a possible fire, do not block air intakes or exhaust in any manner. Do not use on soft surfaces, where openings may become blocked
12. A heater has hot and arcing or sparking parts inside. Do not use in areas where gasoline, paint or flammable liquids are used or stored
13. Do not point to flammable materials
14. Use heater only as described in this manual. Any other use not recommended by the manufacturer may cause fire, electric shock or injury to persons
15. Avoid use of an extension cord because it may overheat and cause a risk of fire. However, if you have to use an extension cord, the cord shall be a three (3) wire grounded cord (check minimum size from specifications)

1. GENERAL INFORMATION FOR USER

Patron electric heaters are designed for professional use.

The heat is generated in sealed heating elements inside the inner mantle of the heater. Heated air is then distributed by an electric motor driven fan blowing air through the heater.

Although effectively cooled by the fan, the heating elements have high surface temperatures. That is why combustible materials must be kept at a safe distance from the heater and care must be taken that no combustible particles enter the heater with the air sucked in by the fan.

Keep the heater clean of dust at any time. Dust may cause fire when heated.

Make sure that the fan blades may rotate unobstructed at all times.

Do not block air intakes or exhaust in any manner.

2. LIMITED WARRANTY

PATRON heater products are professional construction heaters. They are warranted for twenty-four (24) months from original date of purchase. The warranty does not cover products modified outside our factory, damage or failure caused by acts of God, abuse, misuse, use on other than rated voltage, abnormal usage, faulty or improper installation, failure to provide recommended maintenance or any repairs other than those provided by an authorized PATRON service.

THERE ARE NO OBLIGATIONS OR LIABILITIES ON THE PART OF PATRON PRODUCTS INC. FOR CONSEQUENTIAL DAMAGES ARISING OUT OF OR IN CONNECTION WITH THE USE OR PERFORMANCE OF THE PRODUCT OR OTHER INDIRECT DAMAGES WITH RESPECT TO LOSS OF PROPERTY, REVENUES, OR PROFIT, OR COST OF REMOVAL, INSTALLATION OR REINSTALLATION.

THIS WARRANTY CONSTITUTES THE EXCLUSIVE REMEDY OF ANY PURCHASER OF EQUIPMENT SOLD BY THE MANUFACTURER AND ITS DEALERS AND DISTRIBUTORS AND IS IN LIEU OF ALL OTHER WARRANTIES, EXPRESS OR IMPLIED.

During the warranty period, Patron Products will, at its sole option, repair or replace any defective parts or products returned, freight prepaid, to Patron Products or such other location as Patron Products may designate.

Returned products must be packaged carefully, and Patron Products shall not be responsible for damage in transit. When returning parts, the owner must provide the model number of the product and the nature of difficulty being experienced. This warranty does not oblige Patron Products to bear the cost of labour in replacing any assembly, unit or component or part thereof, nor does the company assume any liability for secondary charges, expenses of removal or installing, freight or damages. There will be charges rendered for product repair after our warranty period has expired. Proof of purchase, including date, must accompany request for in-warranty service.

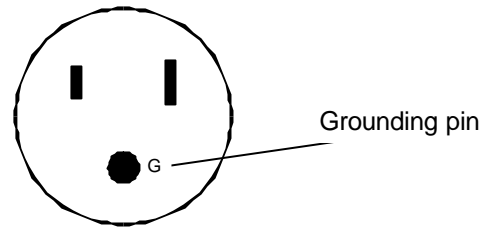
3. OPERATION

REVIEW AND UNDERSTAND ALL WARNINGS IN THIS MANUAL. THEY ARE ESSENTIAL FOR SAFE USE OF THE HEATER.

FOLLOW ALL LOCAL CODES.

This heater is for use on 240 volts.

The cord has a plug as shown in the figure.



The type of outlet is a 240-volt grounding outlet. When properly installed, it provides a ground connection through the cord to the heater to protect the operator from electric shock.

TO START HEATING:

1. Place the heater on a stable and level surface. Make sure that no explosive or combustible fumes or dust are present

MINIMUM CLEARANCES FROM COMBUSTIBLE MATERIALS:	
OUTLET = 6 feet	SIDES = 1 foot
TOP = 2 feet	REAR = 2 feet
FLOOR = COMBUSTIBLE	

2. Connect power cord of heater into 240 V / 60 Hz power source. See paragraph "Technical specifications" in this manual for correct amperage rating
3. Turn the toggle switch into position "on" and the fan starts
4. Set the room thermostat to a temperature above the ambient room temperature by turning the knob. Note! The heater will heat up only if the thermostat "calls for heat" meaning that it is set to higher than prevailing ambient temperature
5. The heater will now operate automatically, controlled by the thermostats

TO STOP HEATING:

2. Turn the room thermostat into "0" position
3. Let the fan rotate for 1 - 2 minutes to cooldown the heater
4. Turn the toggle switch into position "off"
5. Disconnect the power supply plug

NOTE!

THE HEATER IS EQUIPPED WITH AN OVERHEAT LIMIT SWITCH WHICH MAY CAUSE THE HEATER TO STOP. CHECK AND REMOVE THE CAUSE FOR OVERHEATING BEFORE RE-STARTING.

4. MAINTENANCE

WARNING!

NEVER SERVICE THE HEATER WHILE IT IS PLUGGED IN, RUNNING OR HOT. SEVERE BODILY INJURE OR ELECTRIC SHOCK MAY OCCUR.

ONLY QUALIFIED PERSONS ARE ALLOWED TO OPEN HEATER FOR SERVICE. NO USER-SERVICEABLE PARTS INSIDE.

- Keep heater clean. Use pressurized air to blow fan blades clean. Note! Use moderate pressure to avoid damage to fan blades
- Inspect heater before and after each use
- The fan motor is sealed and has permanently lubricated bearings

5. STORAGE

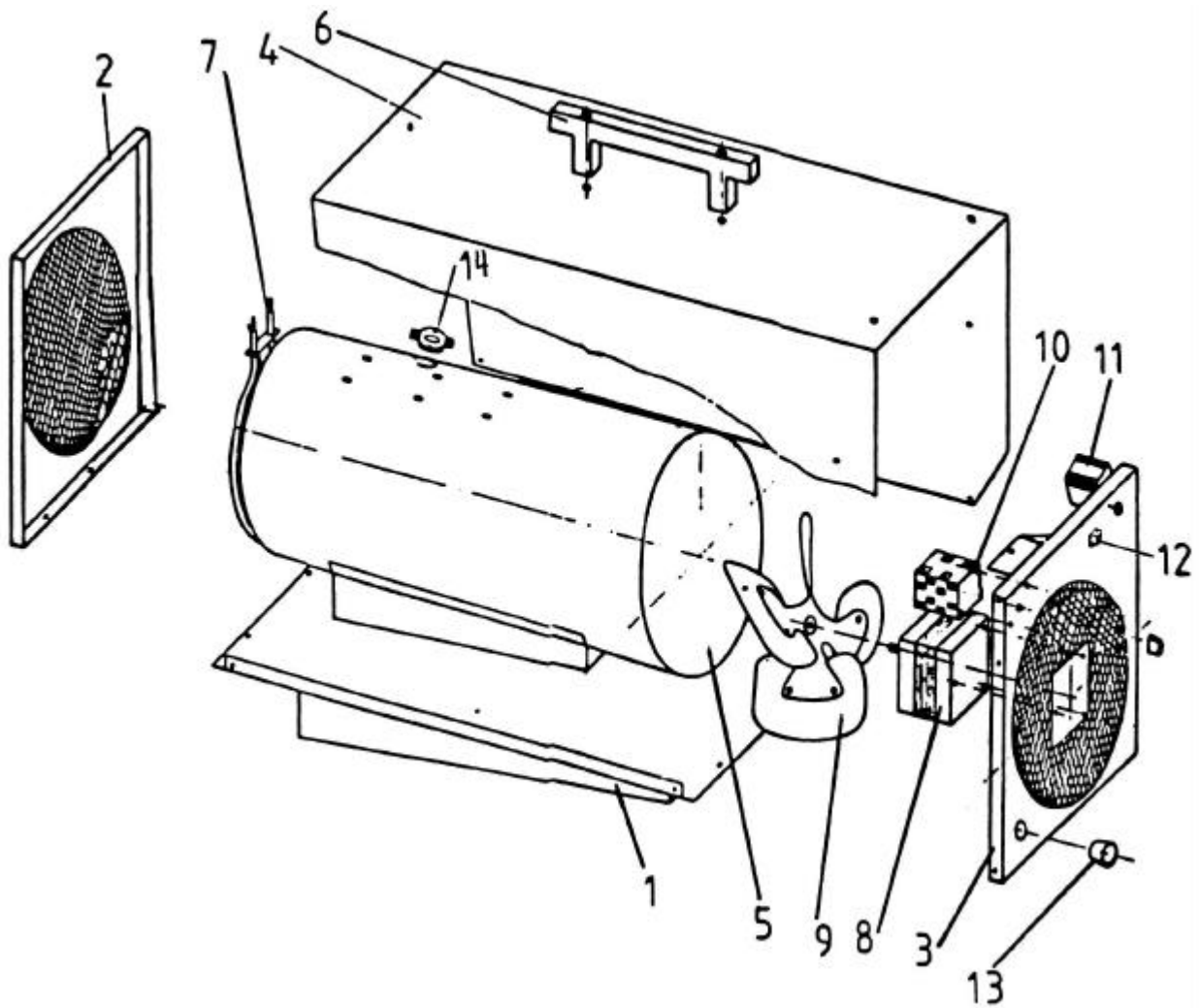
When not in use, the heater must be disconnected from power source, cleaned of dust and stored in a dry place.

The power supply cord should be loosely wound around the handle of the heater.

6. TECHNICAL SPECIFICATIONS

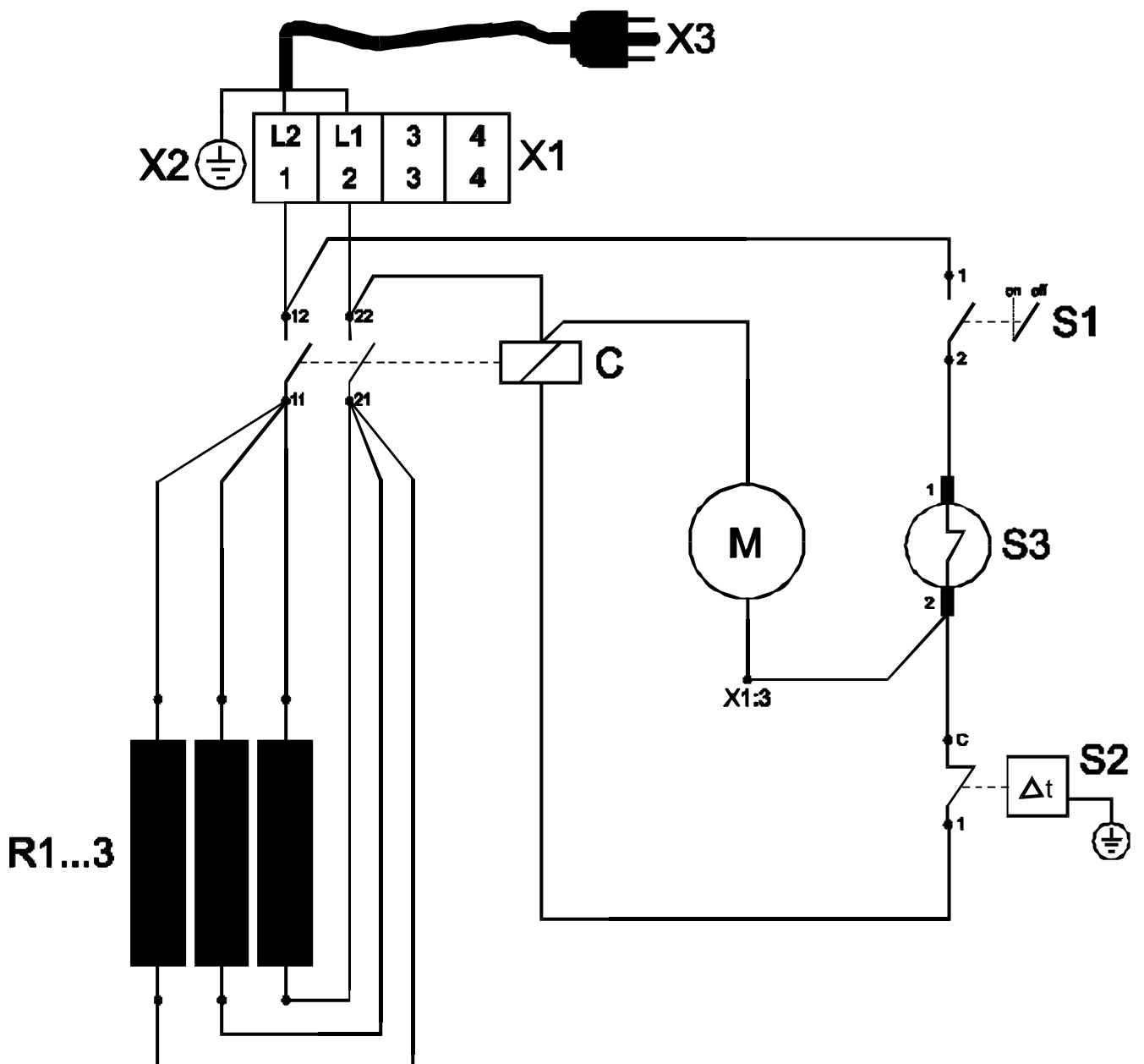
MODEL		PATRON E9
Heat output	BTU/hr	30,700 (9,000 W)
Air flow	CFM	350 (600 m ³ /h)
Electric connection	V ac / Hz	240 / 60, single phase
Amperage draw	A	37.5
Power cord		3×8 AWG
Plug		NEMA 6-50P
Extension cord		min. 3×8 AWG
Ambient thermostat		Temp. range 32 ... 100 °F (0 ... 40 °C)
Length	inches	23.0 (585 mm)
Width	inches	11.8 (300 mm)
Height	inches	18.3 (465 mm)
Weight	lbs	39.9 (18.1 kg)

7. EXPLODED VIEW



Pos.			Patron E9 - Code #
1	bottom plate	plaque de fond	4008001
2	front panel	panneau avant	4008002
3	rear panel	panneau arriere	4008003
4	outer mantle	carcasse	4008004
5	inner mantle	cheminee interieure	4008005
6	handle	poignee	80100
7	heating element (3 pcs)	element (3 pcs)	42800
8	fan motor	motor du ventilateur	14201
9	fan blade	pales du ventilateur	16110
10	contactor	contacteurs	22570
11	room thermostat + knob	thermostat ambiant	20210+20575
12	toggle switch	interrupteur	26900
13	strain reliever	retenue de fil	36930
14	overheat limit switch	disjoncteur de surchauffe	21200
—	hub for fan	moyeu	17909

8. WIRING DIAGRAM



Pos.			Patron E9 - Code #
C	contactor	contacteurs	22570
M	fan motor	motor du ventilateur	14201
R1...3	heating element	element	42800
S1	toggle switch	interrupteur	26900
S2	room thermostat	thermostat ambiant	20210
S3	overheat limit switch	disjoncteur de surchauffe	21200
X1	terminal block	bloc terminal	36703
X2	grounding lug	bloc terre	—
X3	power cord & plug	fil electrique & fiche	—

PATRON PRODUCTS INC.

USA: 60 Clyde Avenue Suite # 4, Buffalo, NY 14215

Canada: 12-110 Ironside Crescent, Scarborough, Ontario M1X 1M2