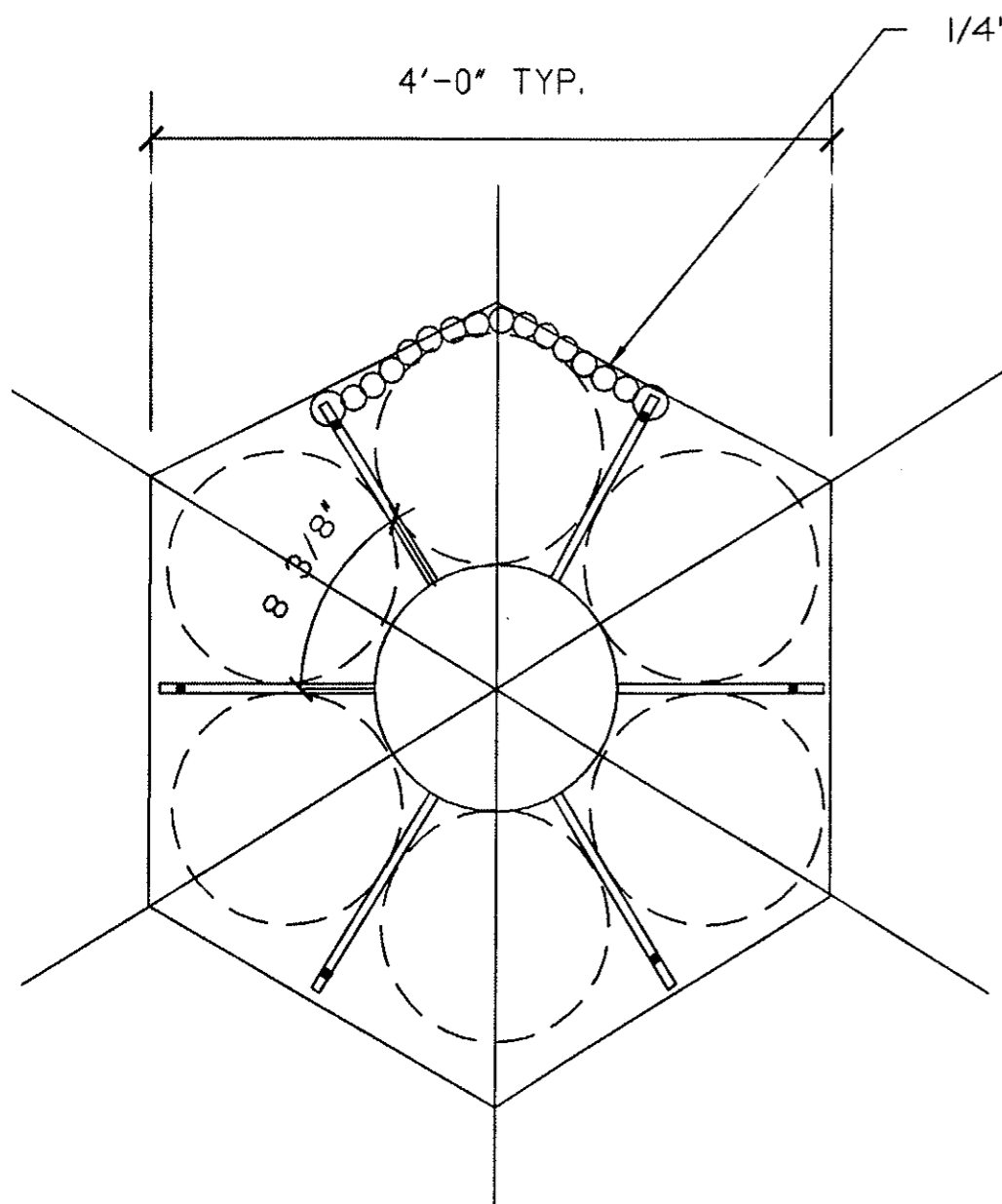


5/8" DIA. BOLT TYPE ANCHOR SHACKLE
CROSBY TYPE G-2130



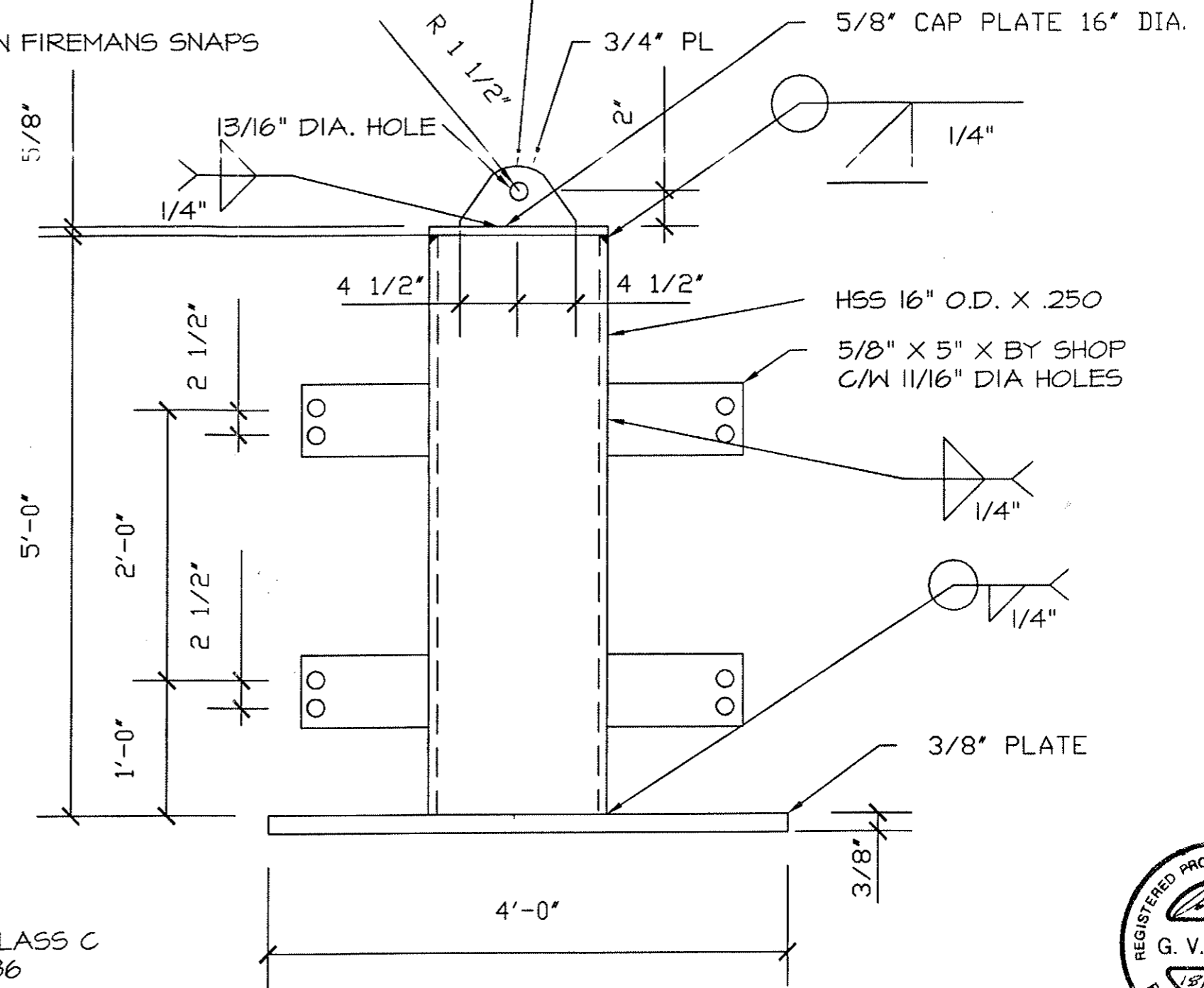
1/4" CHAIN C/W FIREMANS SNAPS

4'-0" TYP.

8 3/8"

HSS: CSA G40.21 50W CLASS C
OTHER STEEL: ASTM A-36
ELECTRODES: E60XX

PLAN



5/8"

5'-0"

2'-0"

2 1/2"

2 1/2"

1'-0"

4'-0"

5/8" CAP PLATE 16" DIA.

3/4" PL

3/16" DIA. HOLE

1/4"

R 1 1/2"

2"

1/4"

HSS 16" O.D. X .250

5/8" X 5" X 1/2" BY SHOP
C/W 1/16" DIA HOLES

1/4"

1/4"

3/8" PLATE

3/8"

ELEVATION



PRESLAND
IRON & STEEL LTD.

MAXIMUM LOAD 1500 LBS.

54 MAPLE STREET KINGSTON, ONTARIO K7K 5A9
BUS: 613-549-2010 FAX: 613-642-2212

HOLES: DIA. UNOTED	CUSTOMER:	CONTRACT NO.	DWG NO.
PAINT	STRUCTURE: PROPANE LIFTING RACK		1